

HT 103 CHIMNEY

Double-wall stainless steel all fuel system



JEREMIAS INTERNATIONAL

40 YEARS OF EXPERIENCE

Jeremias is one of the world's leading manufacturers of flue and chimney systems for the exhaust of gases and ventilation, covering all kinds of domestic, commercial and industrial applications. Jeremias Group product range includes over fifty (50) different CE or UL certified systems covering commercial and domestic applications complimented by freestanding Industrial steel chimneys up to 10 feet in diameter. Jeremias offers its clients a wide range of high quality products, technical support for projects, and stack sizing software.

With over 40 years of experience in the venting and component exhaust industries, Jeremias has seven (7) manufacturing plants in six (6) different countries worldwide. Jeremias today has more than 1,000 employees and is proud of its German engineering origins, and fortunately is now also manufactured in the USA from 100 % local materials!

Here in North America, Jeremias Inc. focused at first on high pressure exhaust systems for commercial and industrial applications and is now expanding into residential systems.

RESEARCH AND DEVELOPMENT

Jeremias has over fifty (50) CE Certified exhaust and chimney systems worldwide for domestic, commercial, and industrial applications. "CE Certification" is the mandatory conformity safety testing for products sold throughout Europe and other parts of the world. In North America, Jeremias employs only Underwriters' Laboratories (UL) for testing, certifications, and listings to all applicable UL and ULC Standards.





JEREMIAS CONTENTS

Introduction	Page 2
Technical specifications	Page 4
System components	Page 5
Warranty statement	Page 12



JEREMIAS HT 103 CHIMNEY

CHIMNEY LIKE YOU'VE NEVER SEEN IT BEFORE

JEREMIAS HT 103 "ALL FUEL" CHIMNEY

- Created by German Chimney Sweeps
- Designed, engineered and built to European Quality levels
- Now made and available in the USA
- The highest quality chimney system in the marketplace

JEREMIAS HT 103 "ALL FUEL" CHIMNEY

Unique pipe design and semi-solid insulation provides a product with:

- NO HEAT BRIDGE between inner and outer pipes
- No hot spots at joints, no voids in the insulation

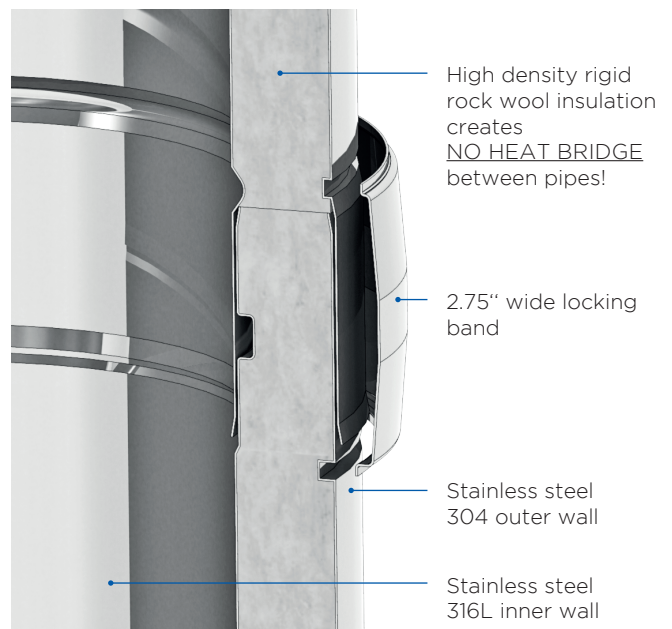
This construction allows for the only vent lengths in the industry which can be field cut to the exact length your installation requires without voiding the listing or warranty!

Provides the perfect fit for through the wall installation or working around offsets without the constraint of fixed vent lengths or the issues and limitations of adjustable vent lengths.

True "All Fuel" Chimney with standard 316L Stainless Steel inner flue pipe and 304 Stainless Steel outer pipe.

Highest Quality TIG Welded throughout.

CUT TO LENGTH IN THE FIELD



Designed and built for the highest quality and ease of installation:

- Features simple, strong slide fit pipe joints with 2 1/4" overlap
- Strong and attractive locking bands install easily and provide a finished appearance
- All support brackets and braces are stainless steel

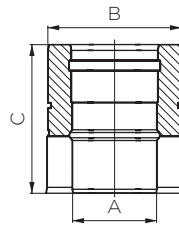




CHIMNEY LENGTH

Insulated Chimney Length. Includes locking band.

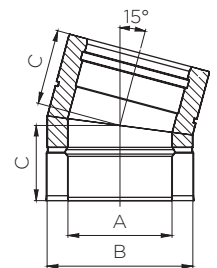
NO.	DESCRIPTION	A	B	C
10116793	DWHT6-6L-SS 6" Chimney length SS 6"	6"	8"	6"
10116795	DWHT6-12L-SS 6" Chimney length SS 12"	6"	8"	12"
10118904	DWHT6-18L-SS 6" Chimney length SS 18"	6"	8"	18"
10116796	DWHT6-24L-SS 6" Chimney length SS 24"	6"	8"	24"
10116797	DWHT6-36L-SS 6" Chimney length SS 36"	6"	8"	36"
10116798	DWHT6-48L-SS 6" Chimney length SS 48"	6"	8"	48"
10122694	DWHT8-6L-SS 8" Chimney length SS 6"	8"	10"	6"
10122696	DWHT8-12L-SS 8" Chimney length SS 12"	8"	10"	12"
10122725	DWHT8-18L-SS 8" Chimney length SS 18"	8"	10"	18"
10122697	DWHT8-24L-SS 8" Chimney length SS 24"	8"	10"	24"
10122698	DWHT8-36L-SS 8" Chimney length SS 36"	8"	10"	36"
10122699	DWHT8-48L-SS 8" Chimney length SS 48"	8"	10"	48"



15 DEGREE ELBOW KIT

Used to offset chimney around obstacles. Each kit includes 2 elbows and an Elbow Strap for support. Includes 2 locking bands.

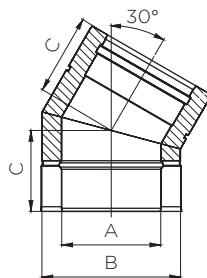
NO.	DESCRIPTION	A	B	C
10116783	DWHT6-15ELKT-SS 6" 15 Degree Elbow Kit	6"	8"	3.2"
10122685	DWHT8-15ELKT-SS 8" 15 Degree Elbow Kit	8"	10"	3.2"



30 DEGREE ELBOW KIT

Used to offset chimney around obstacles. Each kit includes 2 elbows and an Elbow Strap for support. Includes locking band.

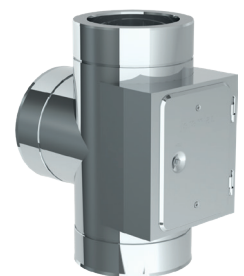
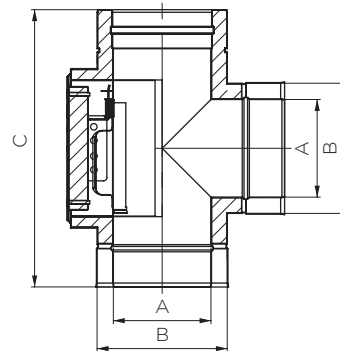
NO.	DESCRIPTION	A	B	C
10116784	DWHT6-30ELKT-SS 6" 30 Degree Elbow Kit	6"	8"	3.2"
10122686	DWHT8-30ELKT-SS 6" 30 Degree Elbow Kit	8"	10"	3.2"



ACCESS TEE WITH CAP SS

Tee Connection with access door and removable insulated cap for inspection and cleaning. Includes 2 locking bands.

NO.	DESCRIPTION	A	B	C
10157109	DWHT6-ATC-SS 6" Access Tee with Cap SS	6"	8"	14.9"
10157110	DWHT8-ATC-SS 8" Access Tee with Cap SS	8"	10"	16.9"



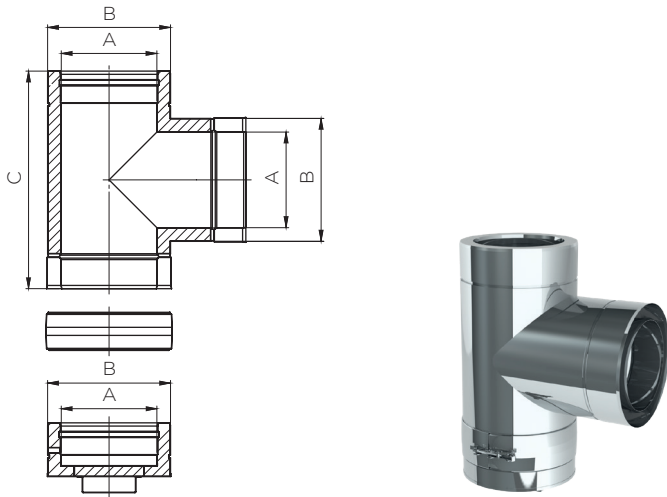
SYSTEM COMPONENTS

HT 103 CHIMNEYS

TEE WITH CAP

Tee Connection with removable insulated cap for inspection and cleaning. Includes 2 locking bands.

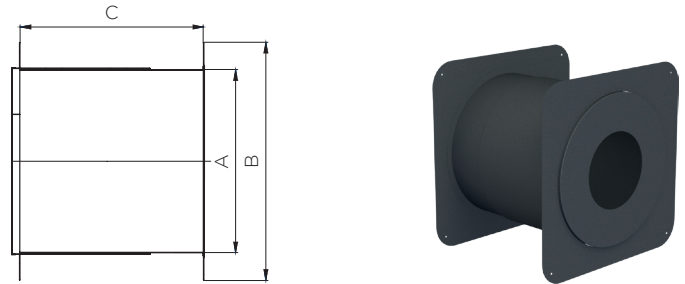
NO.	DESCRIPTION	A	B	C
10116802	DWHT6-TWC-SS SS 6" Tee with cap	6"	8"	14.9"
10122702	DWHT8-TWC-SS SS 8" Tee with cap	8"	10"	16.9"



WALL THIMBLE

Provides shielding and a finished look where HT Chimney passes through a wall. Thimble adjusts to accommodate wall up to 20" thick. Interior Cylinder and Trim Plate are Black powder coat.

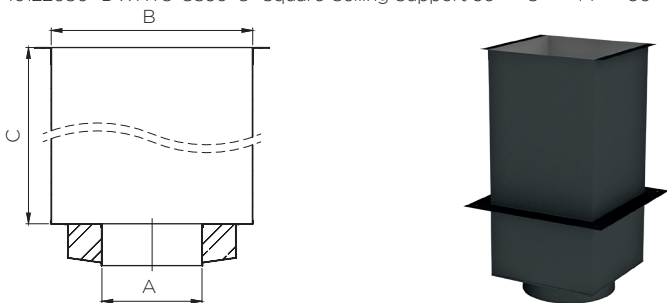
NO.	DESCRIPTION	A	B	C
10116806	DWHT6-WT 6" Wall Thimble	12"	15.5"	20"
10122706	DWHT8-WT 8" Wall Thimble	14"	17.5"	20"



SQUARE CEILING SUPPORT

Provides vertical support and a finished look where HT Chimney passes through a ceiling. Supports 44 ft. of chimney stack. The trim plate is adjustable to work on both flat and pitched ceilings. The Square support box and trim plates are black powder coat.

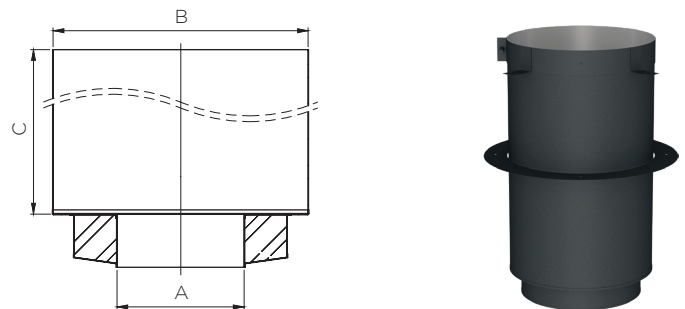
NO.	DESCRIPTION	A	B	C
10122677	DWHT6-CS11 6" Square Ceiling Support 11"	6"	12"	11"
10116803	DWHT6-CS24 6" Square Ceiling Support 24"	6"	12"	24"
10122678	DWHT6-CS36 6" Square Ceiling Support 36"	6"	12"	36"
10122679	DWHT8-CS11 8" Square Ceiling Support 11"	8"	14"	11"
10122703	DWHT8-CS24 8" Square Ceiling Support 24"	8"	14"	24"
10122680	DWHT8-CS36 8" Square Ceiling Support 36"	8"	14"	36"



ROUND CEILING SUPPORT

Provides vertical support and a finished look where HT Chimney passes through a ceiling. Supports 44 ft. of chimney stack. Includes Trim Ring for flat ceiling installation. The Round Ceiling Support and Trim Ring are black powder coat. Two piece Round Support Trim rings (RST) available for pitched ceilings.

NO.	DESCRIPTION	A	B	C
10122733	DWHT6-CSR 6" Ceiling Support Round	6"	12"	22"
10122738	DWHT8-CSR 8" Ceiling Support Round	8"	14"	22"



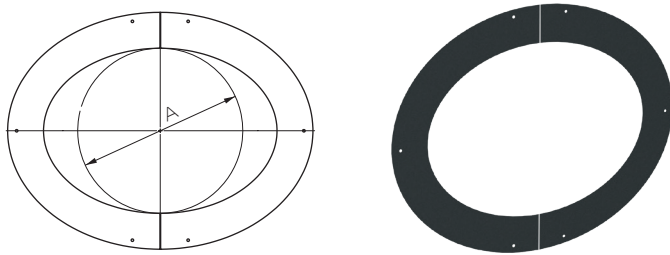
SYSTEM COMPONENTS



TRIM COLLAR

Trim for Round Ceiling Support when installed on a vaulted ceiling.

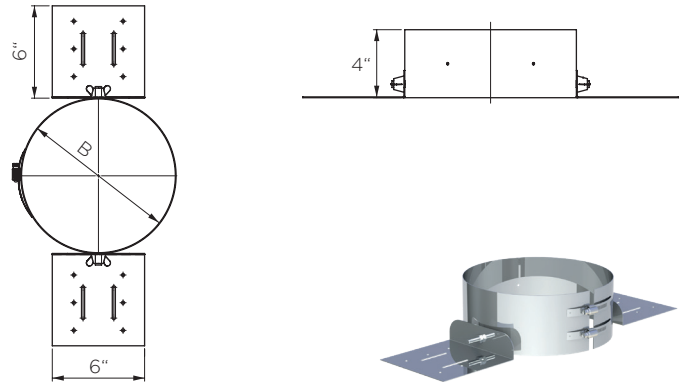
NO.	DESCRIPTION	A
10122826	DWHT6-RST06 6" Trim Collar 0/12 - 6/12	8"
10122827	DWHT6-RST712 6" Trim Collar 7/12 - 12/12	8"
10122828	DWHT8-RST06 8" Trim Collar 0/12 - 6/12	10"
10122829	DWHT8-RST712 8" Trim Collar 7/12 - 12/12	10"



ROOF SUPPORT

For supporting the chimney system from the exterior roof. Supports 12 ft. of chimney stack.

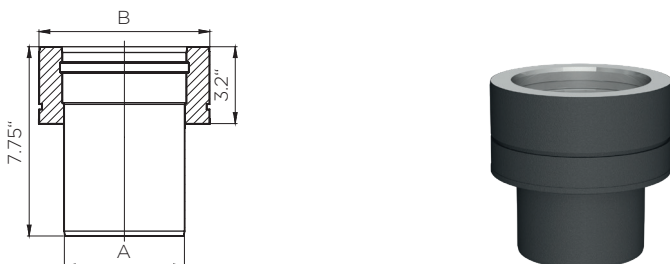
NO.	DESCRIPTION	A	B
10122731	DWHT6-RS-SS 6" Roof Support	6"	8"
10122732	DWHT8-RS-SS 8" Roof Support	8"	10"



CHIMNEY ADAPTER

Connects Smoke pipe to Jeremias HT Chimney. For use with Wall Thimble and Ceiling Support Box assemblies. Includes locking band.

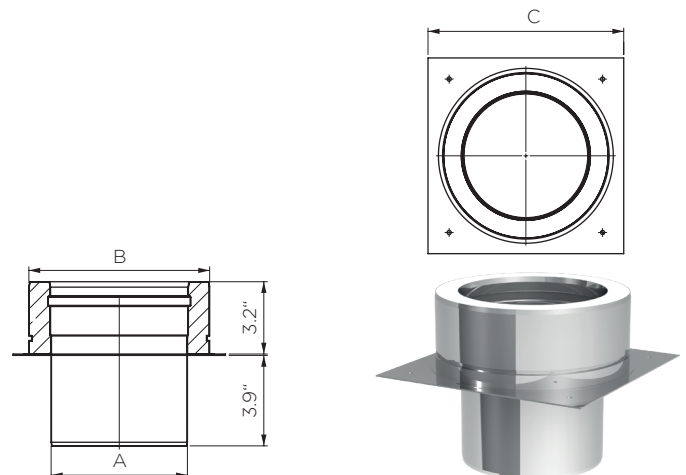
NO.	DESCRIPTION	A	B
10116780	DWHT6-AD 6" Chimney Adaptor	6"	8"
10122682	DWHT8-AD 8" Chimney Adaptor	8"	10"
10122708	DWHT6-AD56 6" Chimney Adaptor for 5"	5"	8"
10122710	DWHT8-AD78 8" Chimney Adaptor for 7"	7"	10"



ANCHOR PLATE

For transition from masonry chimney to 103HT Chimney.

NO.	DESCRIPTION	A	B	C
10122729	DWHT6-AP-SS 6" Anchor Plate	6"	8"	10"
10122730	DWHT8-AP-SS 8" Anchor Plate	8"	10"	12"



SYSTEM COMPONENTS

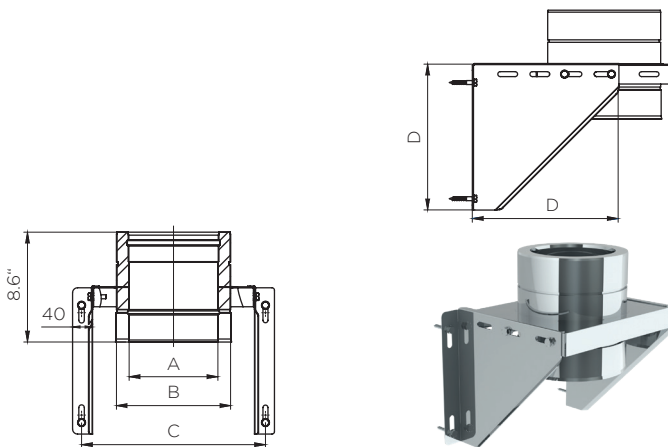
HT 103 CHIMNEYS

TEE SUPPORT

Provides vertical support for through-the-wall type installations. Supports 52 ft of chimney stack. The support plate includes a length of insulated HT Chimney. The support can be installed either above or below the Tee.

NO.	DESCRIPTION	A	B	C	D
10116804	DWHT6-TS6-SS 6" Tee Support	6"	8"	13.5"	10.1"
10122704	DWHT8-TS8-SS 8" Tee Support	8"	10"	15.5"	12.2"

Adjustable from 2" to 6" extension.

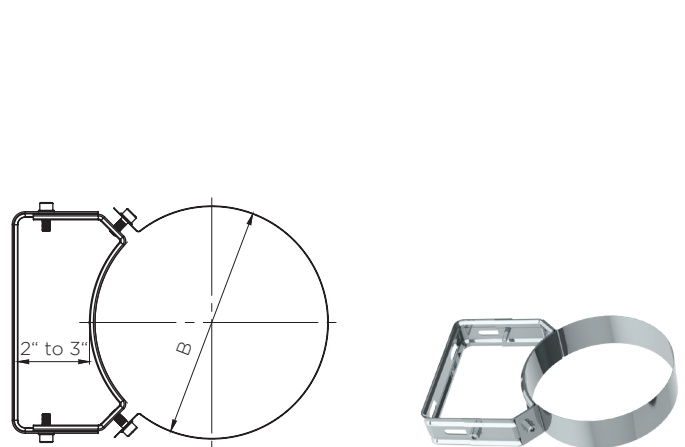


ADJUSTABLE WALL BRACKET

Provides lateral support for HT Chimney that is installed vertically along a wall. Use every 10 ft.

NO.	DESCRIPTION	A	B
10116805	DWHT6-AWB-SS 6" Adjustable Wall Bracket	6"	8"
10122705	DWHT8-AWB-SS 8" Adjustable Wall Bracket	8"	10"

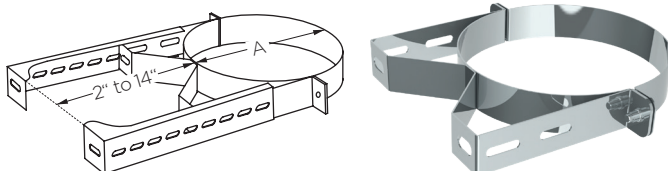
Adjustable from 2" to 3" clearance.



EXTENDED WALL BRACKET

Provides up to 14" off set clearance for lateral support. Use every 10 ft.

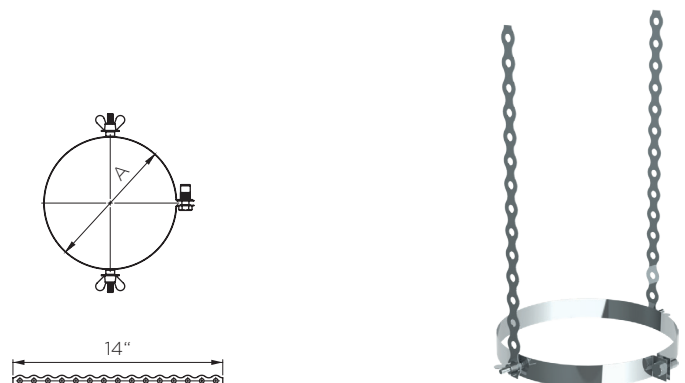
NO.	DESCRIPTION	A
10122727	DWHT6-EWB-SS 6" Extended Wall Bracket	8"
10122728	DWHT8-EWB-SS 8" Extended Wall Bracket	10"



ELBOW STRAP

Provides support where HT Chimney is offset diagonally. (One Elbow Strap is included with each Elbow Kit).

NO.	DESCRIPTION	A
10116785	DWHT6-ELS 6" Elbow Strap	8"
10122687	DWHT8-ELS 8" Elbow Strap	10"



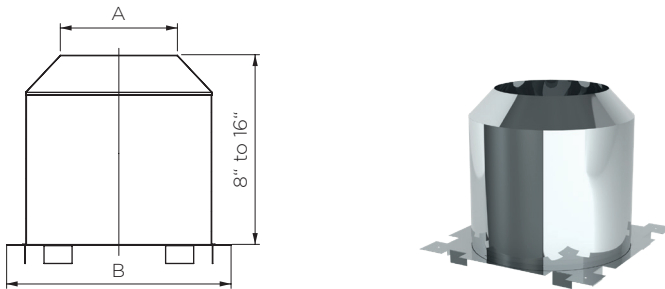
SYSTEM COMPONENTS



ATTIC INSULATION SHIELD

Establishes clearance between HT Chimney and Attic insulation. Install where HT Chimney passes through an unoccupied attic space.

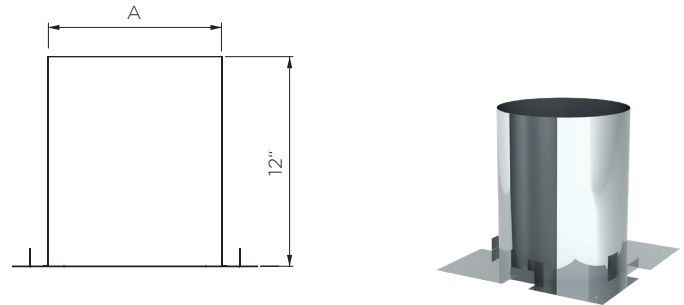
NO.	DESCRIPTION	A	B
10116781	DWHT6-IS 6" Attic Insulation Shield	8"	14"
10122683	DWHT8-IS 8" Attic Insulation Shield	10"	16"



FIRESTOP RADIATION SHIELD

Installation required where HT Chimney passes through a combustible ceiling or rafters.

NO.	DESCRIPTION	A
10116787	DWHT6-FRS 6" Radiation Shield	12"
10122689	DWHT8-FRS 8" Radiation Shield	14"



TELESCOPIC ROOF BRACE

Provides for HT Chimney that extends vertically beyond the roof surface.

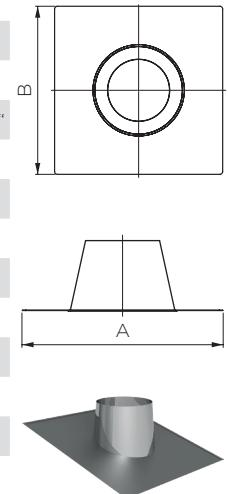
NO.	DESCRIPTION	A
10116786	DWHT6-TRB-SS 6" Telescopic Roof Brace	8"
10122688	DWHT8-TRB-SS 8" Telescopic Roof Brace	10"



ROOF TOP FLASHINGS

Flashings are used to seal the opening where the chimney penetrates the roof to divert rain and snow down from the roof and away from the chimney system.

NO.	DESCRIPTION	A	B
10116788	DWHT6-FRF-GA 6" Flat Roof Flashing GA	18"	18"
10157096	DWHT6-FRF-SS 6" Flat Roof Flashing SS	23"	23"
10116789	DWHT6-PRF06-GA 6" Flashing 0/12 - 6/12 GA	24"	24"
10157097	DWHT6-PRF06-SS 6" Flashing SS 0/12 - 6/12	28"	23"
10116790	DWHT6-PRF712-GA 6" Flashing 7/12 - 12/12 GA	24.7"	18.7"
10157098	DWHT6-PRF712-SS 6" Flashing SS 7/12 - 12/12	30"	23"
10118849	DWHT6-PRFF06-GA 6" Flashing 0/12-6/12 Formable GA	30"	30"
10122690	DWHT8-FRF-GA 8" Flat Roof Flashing GA	22"	22"
10157099	DWHT8-FRF-SS 8" Flat Roof Flashing SS	23"	23"
10122691	DWHT8-PRF06-GA 8" Flashing 0/12 - 6/12 GA	26"	26"
10157100	DWHT8-PRF06-SS 8" Flashing SS 0/12 - 6/12	28"	23"
10122692	DWHT8-PRF712-GA 8" Flashing 7/12 - 12/12 GA	30"	22"
10157101	DWHT8-PRF712-SS 8" Flashing SS 7/12 - 12/12	30"	23"
10122693	DWHT8-PRFF06-GA 8" Flashing 0/12-6/12 Formable GA	30"	30"



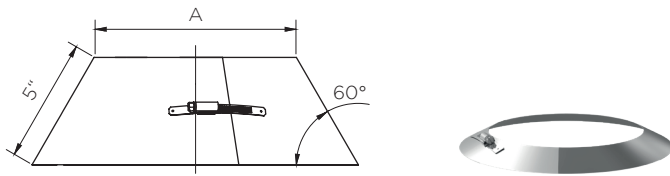
SYSTEM COMPONENTS

HT 103 CHIMNEYS

STORM COLLAR

Installation required where HT Chimney passes through a roof top flashing.

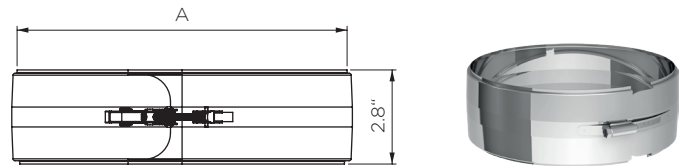
NO.	DESCRIPTION	A
10116801	DWHT6-SC-SS 6" Storm Collar	8"
10122701	DWHT8-SC-SS 8" Storm Collar	10"



LOCKING BAND

Used to secure HT Chimney sections together.

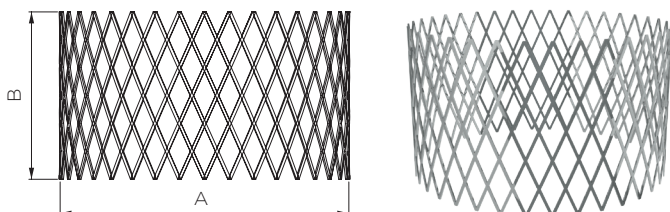
NO.	DESCRIPTION	A
10116779	DWHT6-LB-SS 6" Locking Band 2.0	8"
10122681	DWHT8-LB-SS 8" Locking Band 2.0	10"



SPARK ARRESTOR EXPANDED SS

Prevents birds and other nuisance from entering the HT Chimney. Also reduces ash and other materials from exiting the rain cap. Spark Arrestor is installed inside the Chimney Cap (CC).

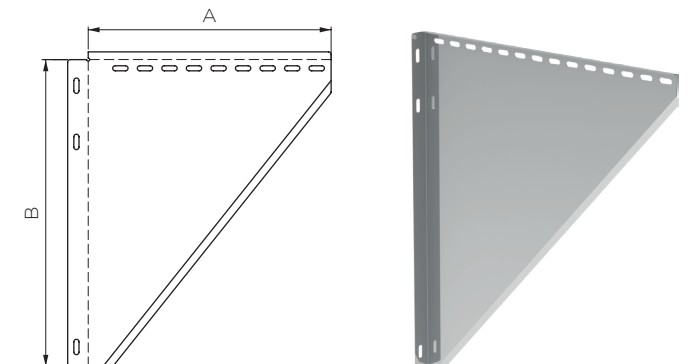
NO.	DESCRIPTION	A	B
10157030	DWHT6-SAE-SS 6" Spark Arrestor Expanded SS	8.6"	5"
10157031	DWHT8-SAE-SS 8" Spark Arrestor Expanded SS	10.6"	6"



TEE SUPPORT EXTENDED BRACKET SS

Extends the Tee Support (TS) allowing HT Chimney to be up to 14" from the wall.

NO.	DESCRIPTION	A	B
10122726	DWHT-TSEB-SS Tee Support Extended Bracket SS	18.7"	23.6"

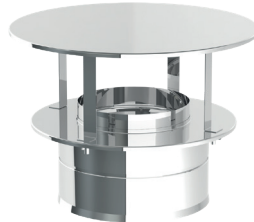
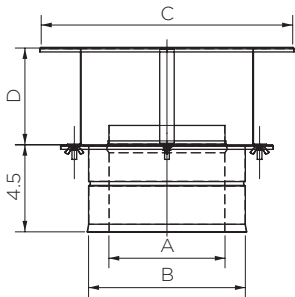




CHIMNEY CAP SS

Terminates the HT Chimney system. Prevents rain from entering the HT Chimney system. Top shield is removable allowing access to the chimney system for cleaning and inspection.

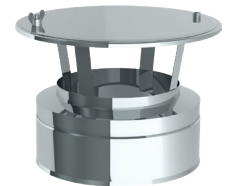
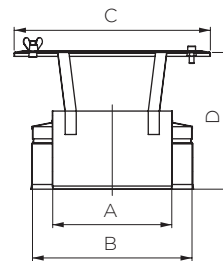
NO.	DESCRIPTION	A	B	C	D
10156698	DWHT6-CC-SS 6" Chimney Cap SS	6"	8"	13"	5"
10156699	DWHT8-CC-SS 8" Chimney Cap SS	8"	10"	17"	6"



RAIN CAP

Terminates the HT Chimney system. Prevents rain from entering the HT Chimney system. Includes a swivel top allowing access to the chimney system for cleaning and inspection.

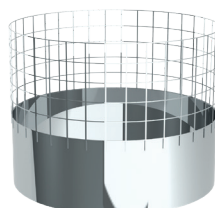
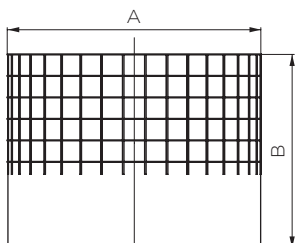
NO.	DESCRIPTION	A	B	C	D
10116782	DWHT6-RC-SS 6" Rain Cap	6"	8"	9.8"	6.9"
10122684	DWHT8-RC-SS 8" Rain Cap	8"	10"	13.8"	8.9"



SPARK ARRESTOR

Prevents birds and other nuisance from entering the HT Chimney. Also reduces ash and other materials from exiting the rain cap. Spark Arrestor is installed inside the Rain Cap.

NO.	DESCRIPTION	A	B
10116800	DWHT6-SA-SS 6" Spark Arrestor	6"	4.7"
10122700	DWHT8-SA-SS 8" Spark Arrestor	8"	6.7"



For other requirements contact Jeremias Inc for our many additional specialized items.

WARRANTY STATEMENT

HT 103 CHIMNEYS

I. 1-YEAR LIMITED WARRANTY

Jeremias Inc. ("Jeremias") provides a 1-year limited warranty ("1-Year Limited Warranty") for its Universal Stacks and Exhaust Systems models SWKL and DWKL (collectively, the "Products") for any defect in workmanship or materials under normal use from the date of shipment to the purchaser of Products ("Purchaser"), subject to the following conditions:

- Product sizing and specifications have been performed in accordance with generally accepted engineering practices.
- Correct installation and maintenance in full compliance with Jeremias' installation and maintenance instructions as published at the time of installation.

II. EXTENDED 25-YEAR LIMITED WARRANTY

Jeremias provides for an extended 25-year limited warranty ("25-Year Limited Warranty") for any defect in workmanship or materials under normal use from the date of shipment to the Purchaser, subject to the satisfaction of the following conditions:

- Products must have been designed and sized by Jeremias' personnel.
- Availability of a written inspection report from the time of installation, or timely thereafter, by a Jeremias inspector or an inspector authorized by Jeremias, that the Product assembly and installation conformed to all of Jeremias' assembly and installation instructions.
- Products were at all times operated and maintained in full compliance with Jeremias' operation and maintenance instructions as published at the time of installation or as later provided to Purchaser by Jeremias.

III. EXCLUSION OF LIMITED WARRANTY

The 1-Year Limited Warranty and the 25-Year Limited Warranty (collectively the "Limited Warranty") shall not cover (i) damages to:

wear parts, e.g. seals; demonstration units; paintwork; moving parts, including but not limited to compensators, flue gas dampers, draught regulators, chimney, doors; flexible piping; insulation; consumables, such as granulates; minor Product deviations which do not effect functionality; or (ii) damages caused by: contamination of ambient air or combustion air by chlorinated hydrocarbons or other vapors which may cause excessively severe acid condensate to form within the Products; merchandise provided by other manufacturers; installation, transport or commissioning; Purchaser, an installer or other third parties; normal wear and tear; any party other than Jeremias in a willful manner; force majeure, including, but not limited to flood, fire or frost; non-compliance with the assembly, installation, operation and maintenance instructions available at www.JeremiasInc.com; assembly, installation, maintenance or repair by unqualified personnel; improper commissioning; use of Products not in accordance with their intended purpose; exposure of Products to any metals of an inferior quality; contamination of the Products between unpacking and assembly; burning of wood other than unpainted, natural wood, which has been stored for at least 3 years and which moisture level does not exceed 20%; or burning of chipboard or domestic waste.

IV. REMEDIES

If a valid Limited Warranty claim arises, Jeremias shall, in its sole discretion, either repair the Product or deliver a properly functioning Product. This Limited Warranty is limited to repair or replacement of the Product plus shipping cost to the location of the defective Product. The Limited Warranty does not cover labor costs for removal or replacement of the defective Product, unless such labor shall be carried out by Jeremias itself in its sole discretion.

V. FILING OF A LIMITED WARRANTY CLAIM

Limited Warranty claims may only be asserted during the term of the applicable Limited Warranty period. Any extension of the term of the Limited Warranties shall be excluded, regardless of the legal basis. If Purchaser believes that there is a justified Limited Warranty claim, Purchaser shall notify Jeremias to that effect in writing. Any claims stemming from or relating to a Limited Warranty shall be asserted in detail within eight weeks after the discovery of the defect (the time when the notification is received by Jeremias will be the basis for determining whether a claim has been reported within this deadline) or else shall be excluded and not be recognized by Purchaser. Such notification shall include a description of the defect, original proof of purchase, and a copy of the written inspection report as described in Section II above (if applicable).

VI. NO OTHER WARRANTY

EXCEPT AS SET FORTH EXPRESSLY THEREIN, JEREMIAS MAKES NO WARRANTIES, EITHER EXPRESS OR IMPLIED, REGARDING THE PRODUCTS, INCLUDING, BUT NOT LIMITED TO, THE IMPLIED WARRANTIES OF MERCHANTABILITY AND FITNESS FOR A PARTICULAR PURPOSE.

VII. DAMAGES DISCLAIMER AND LIMITATION

IN NO EVENT SHALL JEREMIAS BE LIABLE TO ANY CLIENT OR ANY OTHER PERSON FOR ANY (A) INDIRECT, INCIDENTAL, CONSEQUENTIAL OR PUNITIVE DAMAGES, INCLUDING LOSS OF PROFIT OR GOODWILL OR (B) DIRECT DAMAGES TO BODY, HEALTH OR PROPERTY FOR ANY MATTER ARISING OUT OF OR RELATING TO THE PRODUCTS, WHETHER SUCH LIABILITY IS ASSERTED ON THE BASIS OF CONTRACT, TORT OR OTHERWISE EVEN IF JEREMIAS HAS BEEN ADVISED OF THE POSSIBILITY OF SUCH DAMAGES. IN NO EVENT SHALL JEREMIAS' TOTAL AGGREGATE LIABILITY FOR DAMAGES EXCEED THE GREATER OF THE AMOUNT OF (A) TOTAL COMPENSATION PAID BY PURCHASER TO JEREMIAS FOR THE PRODUCTS, OR (B) PROCEEDS AVAILABLE FROM ANY INSURANCE POLICY IN EFFECT AND APPLICABLE TO THE EVENT GIVING RISE TO SUCH LIABILITY.

VIII. NOTICE

Any notice or other communication hereunder to Jeremias shall be sent postage prepaid, by certified mail, by courier such as United Parcel Service or e-mail, to the following: Jeremias Inc., 983 Industrial Park Drive, Marietta, GA 30062, E-mail: Info@JeremiasInc.com. Notices shall be effective upon receipt.

IX. TERMS AND CONDITIONS OF SALE

Purchaser's Terms and Conditions of Sale as currently in effect shall govern these Limited Warranties, including without limitation the rights and responsibilities granted hereunder.

JEREMIAS GROUP TOTAL QUALITY COMMITMENT

Jeremias is one of the world's leading manufacturers of flue and chimney systems for the exhaust of gases and ventilation, including all kinds of domestic, commercial, and industrial applications.

Our product range includes more than 100 different UL Listed and CE Certified systems covering commercial and industrial applications complemented by freestanding industrial steel chimneys up to 13 feet in diameter.

Jeremias manufactures the highest quality exhaust systems in the world. Our technology and expertise allows for the safest, quietest, and most efficient way to expel exhaust gases to the exterior of buildings.

Opened in 2013, the Jeremias R&D Lab in Logan, OH has the industry's most experienced lab technicians on staff and incorporates the latest equipment technologies. This enables us to provide industry leadership with a focus on new factory-built exhaust applications and unique listings.

APPROVALS & CERTIFICATIONS



JEREMIAS IS REPRESENTED IN THE FOLLOWING COUNTRIES:

Austria | Belarus | Belgium | Bulgaria | Brazil | Denmark | Estonia | Hong Kong | Ireland | Kazakhstan | Latvia | Lithuania | Luxembourg | Malta | Netherlands | Norway | Portugal | Romania | Saudi Arabia | Serbia | Singapore | Slovakia | Slovenia | South Africa | Sweden | Tunisia | UAE | Ukraine

Jeremias high quality products to be installed only by selected experts.

The expert in your area:

USA

Jeremias Inc.
 983 Industrial Park Drive
 Marietta, GA 30062, USA
 Office: +1 678-388-2740
 Fax: +1 678-388-2744
info@jeremiasinc.com