

DWGV & SWGV

Double & Single Wall Special Gas Vent

Ø3\" - Ø36\"

www.jeremiasinc.com



JEREMIAS CONTENTS



DWGV & SWGV Double & Single Wall Special Gas Vent

Introduction	3 - 4
Technical specifications	5 - 7
DWGV Products	8 - 58
Adapters	8
Supports	17
Straight lengths	24
Adjustable lengths	28
Elbows	31
Tees	35
Tee caps	45
Increasesers	47
Reducers	48
Flashings	49
Flashings / Thimbles	51
Terminations	52
Accessories	57
Notes	59

An offset calculator for all Jeremias products can be found on the Jeremias website under Downloads/Product data sheets and catalogs

JEREMIAS EXHAUST SYSTEMS

Jeremias Special Gas Vents, Models DWGV and SWGV, were designed specifically for the condensing boiler market where ease of assembly, overall time invested, and price are the main concerns. Unlike our other products, this Special Gas Vent does not have a conical joint. In diameters up to 12", it uses a gasket to seal the male-to-female connection and is secured by a locking band on the outside. In diameters 13"-36", it utilizes a male-to-female connection with a V-band and sealant on the inside connection and a Locking band on the outside jacket.

For use with temperatures not exceeding 550°F continuous and pressures not exceeding 20" W.C.

DWGV and SWGV may be intermixed in the same vent system assuming proper clearances and other installation guidelines are maintained for each system. Each may also be intermixed with the DWKL/SWKL Conical systems and/or the DWFL/SWFL Flanged systems.

Jeremias Special Gas Vents are also used for exhausting various other appliances to the outdoors. There are many other applications and uses including, but not limited to the following: boiler stacks, dishwasher exhaust, cool exhaust on coffee roasters, chimney liners, laundry dryer vents, fume venting, paint booth exhausts, particle conveying, chutes, and ventilation ducts.



STRONG – OPEN – INTERNATIONAL

40 Years of Experience

Jeremias is one of the world's leading manufacturers of flue and chimney systems for the exhaust of gases and ventilation, covering all kinds of domestic, commercial and industrial applications. Jeremias Group product range includes over fifty (50) different CE or UL certified systems covering commercial and domestic applications complemented by freestanding Industrial steel chimneys up to 10 feet in diameter. Jeremias offers its clients a wide range of high quality products, technical support for projects, and stack sizing software.

With over 40 years of experience in the venting and component exhaust industries, Jeremias has seven (7) manufacturing plants in six (6) different countries worldwide. Jeremias today has more than 1,000 employees and is proud of its German engineering origins, and is now also manufactured in the USA from 100% local materials!

JEREMIAS EXHAUST SYSTEMS

Research and Development

Jeremias has over fifty (50) CE Certified exhaust and chimney systems worldwide for domestic, commercial, and industrial applications. “CE Certification” is the mandatory conformity safety testing for products sold throughout Europe and other parts of the world. In North America, Jeremias employs only Underwriters’ Laboratories (UL) for testing, certifications, and listings to all applicable UL and ULC Standards.

Opened in 2013, the Jeremias R&D Lab in Logan, OH has the industry’s most experienced lab technicians on staff and incorporates the latest equipment and technologies. This laboratory enables Jeremias to provide industry leadership with a continued focus on new factory-built exhaust applications and unique listings. Jeremias is constantly bringing new innovations to the marketplace and our Logan laboratory enables us to accomplish these changes quickly and effectively.

All Stainless Steel Construction

Jeremias incorporates a UL 1738 approved stainless steel which is required to provide adequate corrosion resistance to flue gas condensation for our inner liner. Underwriters Laboratories (UL) has approved Jeremias (and all other brands) to use types 316L, 444, or AL29-4C® stainless steels for this Listing. These steels have various advantages over the others in this group including better forming, welding, and lower work hardening. The standard model Jeremias outer jacket is constructed of type 304 stainless steel with a bright annealed finish. All accessories (including support plates and angle rings) are also made of stainless steel. This means there is no cross contamination in the factory from carbon steel cutting/welding. Jeremias cleans all external welds to assure the customer clearly sees the quality standard we are setting. Jeremias backs our exhaust systems with a Twenty-Five (25) Year Standard Warranty.

Ease of Installation

Models DWGV and SWGV (3”-12” I.D.) are a cylindrical, factory-built, modular venting system that incorporates a 2.2” overlap and sealed with a 3-ribbed gasket for a quick and easy assembly in the field. The 2.2” overlap at each connection creates greater stiffness, sealing, and durability compared to ½” flange to flange systems or other gasketed systems. For example, 6” I.D. DWGV has a 41.45 square inch overlap at each joint where a ½” flanged system has only a 9.42 square inch overlap.

The larger diameters (13”-36”) of DWGV and SWGV incorporate an overlapping male-to-female inner connection with external rolled flange for vee band connection. The overlapping inner involves a male spigot which extends completely through the joint 1.25” into the adjacent pipe section. This extended male spigot facilitates alignment of pipe sections, provides support, and isolates the flange/V-band connection and sealant from flue gas condensation. Then the outer jacket of the DWGV is attached with a locking band which securely locks into grooves on both sections of pipe. This makes for the strongest and most rigid joint in the industry.

Warranty

WE AS MANUFACTURER GRANT YOU

25
YEARS

OF WARRANTY ON THE CORROSION RESISTANCE
OF OUR STAINLESS STEEL PRODUCTS.

For the pre-conditions please view our General Terms of Guarantee
on www.jeremias.de.

25 YEARS
PREMIUM QUALITY

JEREMIAS GMBH | CHIMNEY SYSTEMS | OFFENRIEDER STR. 11-14 | D-91717 WASSERTRÖDINGEN

TECHNICAL SPECIFICATIONS

Model and Part Identifications

DWGV, Double Wall Gas Vent
(Ø3"-Ø12") 1" insulating air space
(Ø13"-Ø36") 1.25" insulating air space

DWGV+1, Double Wall Gas Vent
(Ø3"-Ø12") 1" fiber insulated
(Ø13"-Ø36") 1.25" fiber insulated

DWGV+2, Double Wall Gas Vent
(Ø3"-Ø12") 2" fiber insulated
(Ø13"-Ø36") 2.25" fiber insulated

SWGV, Single Wall Gas Vent
(Ø3"-Ø36")

Example 1:
DWGV8-36L for an 8 inch diameter Model DWGV Double Wall, airspace insulated, 36 inches in length

Example 2:
DWGV20-90BT10 for a 20 inch diameter Model DWGV Double Wall 90 degree Boot Tee with 10 inch snout

Example 3:
SWG10-45EL for a 10 inch diameter Model SWGV Single Wall 45 Degree Elbow

Material Options and Thicknesses

DWGV

Inner Liner:
Type 316L or 444 UL 1738 approved stainless steel

Outer Jacket:
Type 304 stainless steel with a Bright Annealed finish

Insulation:
1" of air space

Accessories and Supports:
Type 304 stainless steel

DWGV+1

Inner Liner:
Type 316L or 444 UL 1738 approved stainless steel

Outer Jacket:
Type 304 stainless steel with a Bright Annealed finish

Insulation:
1" Fiber Insulation
Accessories and Supports:
Type 304 stainless steel

DWGV+2

Inner Liner:
Type 316L or 444 UL 1738 approved stainless steel

Outer Jacket:
Type 304 stainless steel with a Bright Annealed finish

Insulation:
2" Fiber Insulation

Accessories and Supports:
Type 304 stainless steel

SWG

Inner Liner:
Type 316L or 444 UL 1738 approved stainless steel

Operating Pressures

Jeremias Inc. Gas Vents, Models DWGV and SWGV have been evaluated and Listed by UL for positive pressures up to 20" W.C. internal static pressure.

Underwriters Laboratories Listings

UL File Number for All Listings: MH59917

United States:

- > UL 1738 Standard, Venting Systems for Gas-Burning Appliances, Categories II, III and IV
- > Class IIC & IIB - PP (Polypropylene), CPVC, and/or PVC applications at 230°F and/or 194°F maximum flue gas temperatures and zero clearance to combustibles
- > UL 441 Standard, Gas Vents
- > UL 641 Standard, Type L Low-Temperature Vent

Canada:

- > ULC S636 Standard for Type BH Gas Venting Systems
- > Class IIC & IIB - PP (Polypropylene), CPVC, and/or PVC applications at 230°F and/or 194°F maximum flue gas temperatures and zero clearance to combustibles
- > ULC S605 Standard for Gas Vents
- > ULC S609 Standard for Low-Temperature Vents Type L

TECHNICAL SPECIFICATIONS

Code and Standards

When installed per their instructions, all Jeremias Inc. models are code compliant with the following codes and standards:

- > NFPA 31 > NFPA 54 > NFPA 211
- > NFPA 37 > NFPA 96 > UMC

The following agencies or associations produce codes, standards, or guidelines by which all Jeremias Inc. Models may be installed and used:

- > ASHRAE (American Society of Heating, Refrigerating and Air Conditioning Engineers)
- > CSA (Canadian Standards Association)
- > IAPMO (International Association of Plumbing and Mechanical Officials)
- > ICC (International Code Congress)
- > NFPA (National Fire Protection Association)
- > UL (Underwriters Laboratories, Inc.)
- > ULC (Underwriters' Laboratories of Canada)

Joint Detail

All Jeremias Inc. Gas Vents Models DWGV and SWGV in 3" - 12" diameters are cylindrical, factory-built, modular

venting systems that incorporate a lengthy 2.2" overlapping joint with gasket and locking band system for quick and easy assembly in the field. The larger diameters (13"-36") incorporate an overlapping inner connection with external rolled flange for vee band connection. The overlapping inner protects the silicone seal from flue gas condensation.

The DWGV double wall models are insulated with 1" air space, 1" fiber insulation, or 2" fiber insulation.

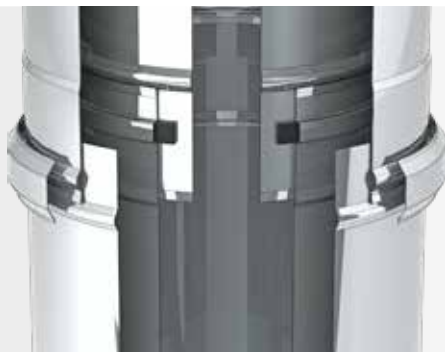
Benefits of the Jeremias double wall insulated systems include:

- a) Reduced clearance to combustibles
- b) Reduced outer pipe skin temperatures
- c) Reduced building heat gain
- d) Increased efficiencies of energy recovery systems
- e) Reduced noise levels caused by high velocity exhausts
- f) Enhanced chimney draft

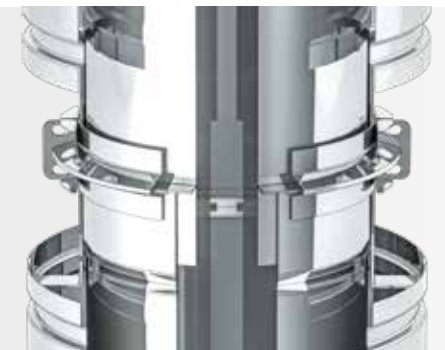
The SWGV single wall model has no outer jacket.

Benefits of the Jeremias single wall systems include:

- a) Fast assembly
- b) Clean and neat assembled joint
- c) Low cost alternative when clearance to combustibles can be maintained



Ø3"-Ø12"



Ø13"-Ø36"



TECHNICAL SPECIFICATIONS

Product Specifications

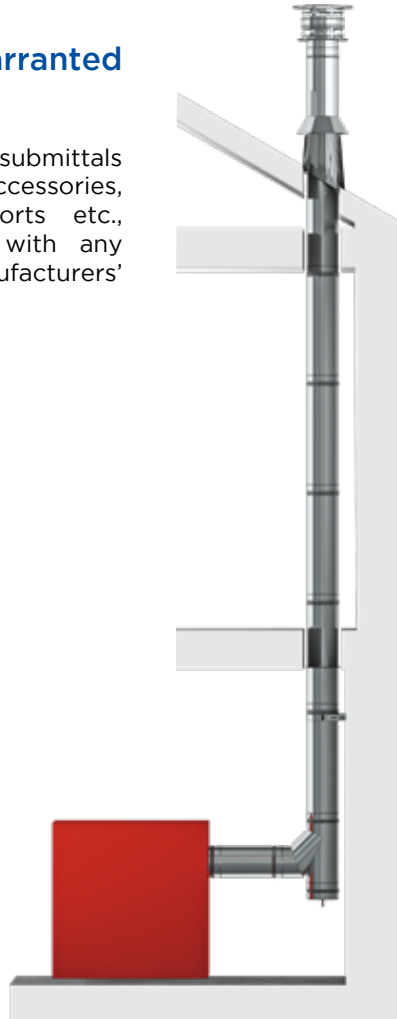
DIAMETERS	3, 4, 5, 6, 7, 8, 9, 10, 12, 13, 14, 16, 18, 20, 22, 24, 26, 28, 30, 32, 34, 36
AVAILABLE LENGTHS	9", 12", 18", 24", 30", 36", 42" & 48"
AVAILABLE FITTINGS	Any elbow or tee, over 40 catalog fittings per each diameter
AVAILABLE ACCESSORIES	All-stainless supports, guides, hangers, and adapters - over 20 accessories per each diameter.

Sizing/Pressure Calculations

Jeremias' engineering uses its own software based upon the "Chimney, Gas Vent, and Fireplace Systems" chapter of the ASHRAE Handbook to assure that the exhaust and chimney system is sized in accordance with the appliance manufacturers' installation instructions.

Submittal and Warranted Designs

Jeremias can also provide submittals that show all required accessories, including drains, supports etc., to be in accordance with any specific appliance manufacturers' installation instructions.



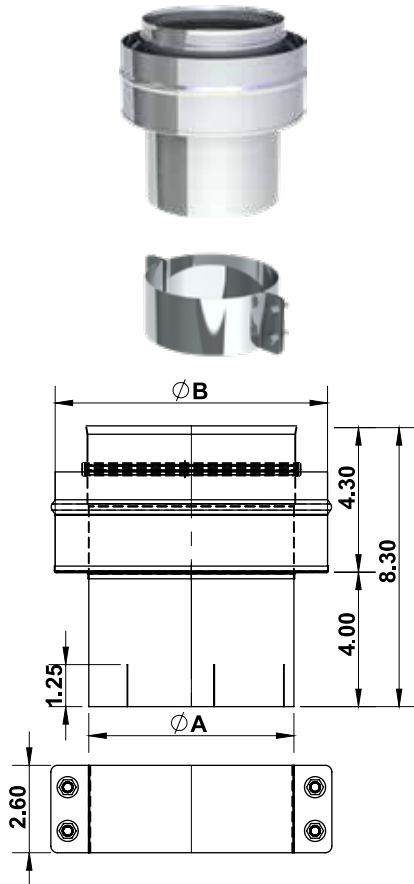
Pipe Weight per Foot

The approximate installed weight of the DWGV exhaust system can be found using this table. This table does not include accessories such as supports and guides, nor shipping packaging or palletizing weight (LBS per foot).

PIPE SIZE	WEIGHT (LBS. PER FT.)	
	DWGV	SWG
3"	1.5	0.66
4"	1.9	0.87
5"	2.2	1.09
6"	2.5	1.31
7"	2.9	1.53
8"	3.2	1.75
9"	3.6	1.97
10"	4.0	2.19
12"	4.7	2.62
13"	8.4	4.80
14"	12.0	5.17
16"	13.5	5.91
18"	15.1	6.65
20"	16.7	7.39
22"	18.2	8.13
24"	19.8	8.87
26"	21.4	9.61
28"	22.9	10.34
30"	24.5	11.08
32"	26.1	11.82
34"	27.7	13.56
36"	29.2	13.30

ADAPTERS

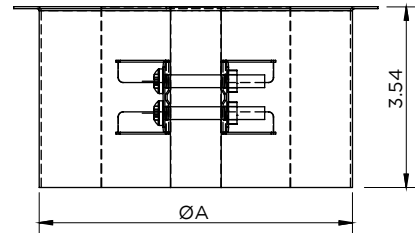
Raw Collar Adapter - Outside - Start / DWGVØ-RCOS



Ø	ØA	ØB
3	3	5
4	4	6
5	5	7
6	6	8
7	7	9
8	8	10
9	9	11
10	10	12
12	12	14

* - Installed lengths. Includes Locking Band with gear Clamp.

Raw Collar Outside Adapter / DWGVØ-RCO

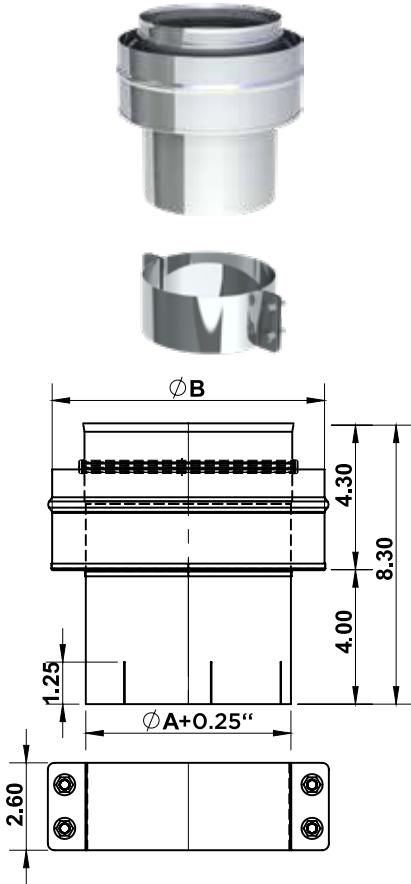


Ø	ØA
13	13
14	14
16	16
18	18
20	20
22	22
24	24
26	26
28	28
30	30
32	32
34	34
36	36

Includes Locking Band with Latch Clamp

ADAPTERS

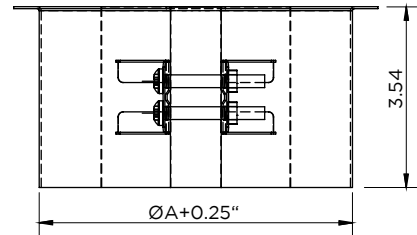
Raw Collar Adapter - Outside - Start - Large / DWGVØ-RCOS-LG



Ø	ØA	ØB
3	3	5
4	4	6
5	5	7
6	6	8
7	7	9
8	8	10
9	9	11
10	10	12
12	12	14

* - Installed lengths. Includes Locking Band with gear Clamp.

Raw Collar Outside Adapter - Large / DWGVØ-RCO-LG

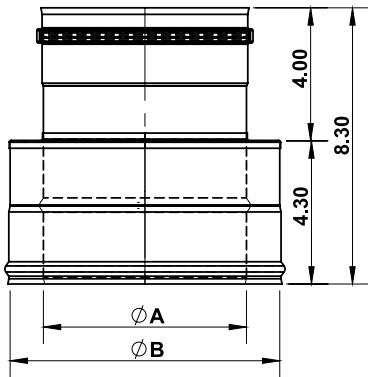


Ø	ØA
13	13
14	14
16	16
18	18
20	20
22	22
24	24
26	26
28	28
30	30
32	32
34	34
36	36

Includes Locking Band with Latch Clamp

ADAPTERS

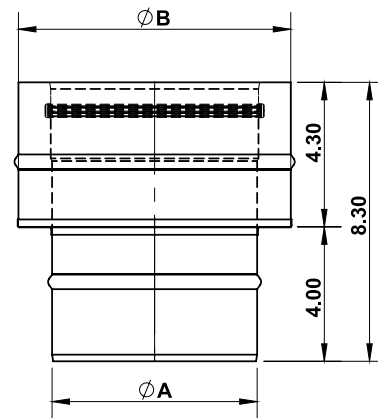
DWGV to SWGV Adapter / DWGVØ-D2S



Ø	ØA	ØB
3	3	5
4	4	6
5	5	7
6	6	8
7	7	9
8	8	10
9	9	11
10	10	12
12	12	14

Includes Locking Band with gear Clamp

SWGV to DWGV Adapter / DWGVØ-S2D

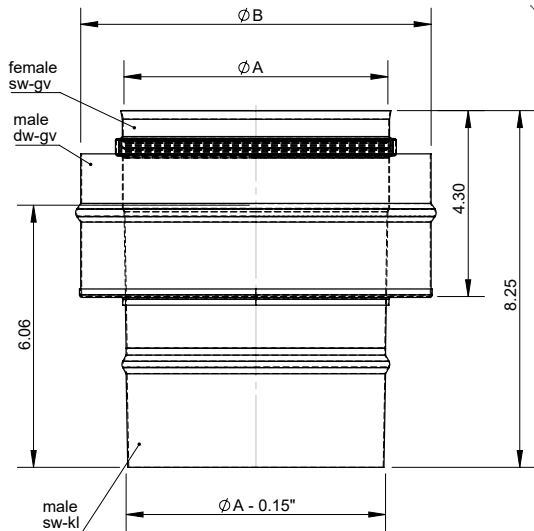


Ø	ØA	ØB
3	3	5
4	4	6
5	5	7
6	6	8
7	7	9
8	8	10
9	9	11
10	10	12
12	12	14

Includes Locking Band with Latch Clamp

ADAPTERS

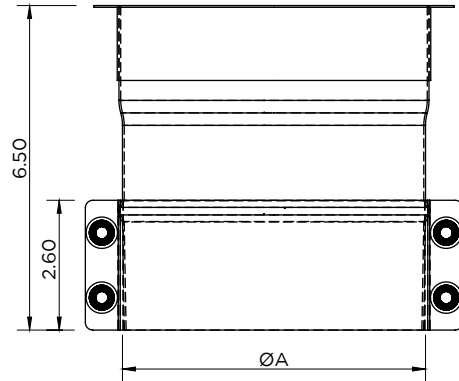
Raw Collar Adapter - Inside - Start / DWGVØ-RCIS



ϕ	ϕA	ϕB
3	3	5
4	4	6
5	5	7
6	6	8
7	7	9
8	8	10
9	9	11
10	10	12
12	12	14

Includes Locking Band with gear Clamp

Raw Collar Inside Adapter / DWGVØ-RCI

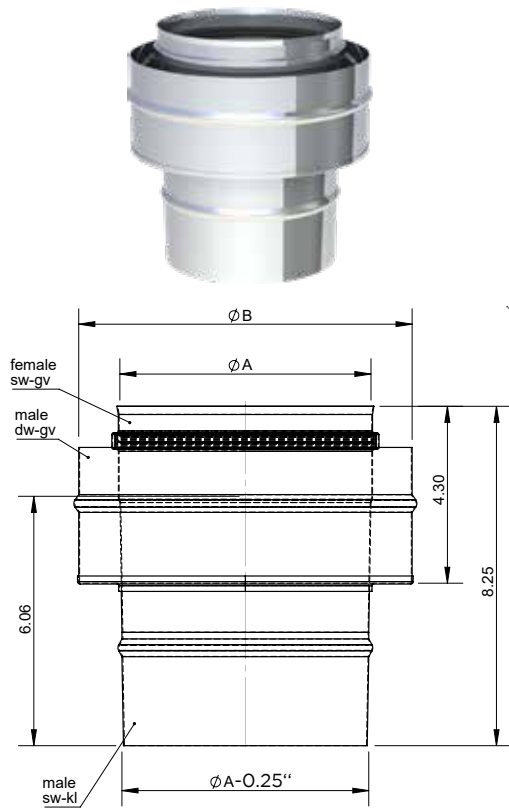


ϕ	ϕA
13	13
14	14
16	16
18	18
20	20
22	22
24	24
26	26
28	28
30	30
32	32
34	34
36	36

Includes Locking Band with Latch Clamp

ADAPTERS

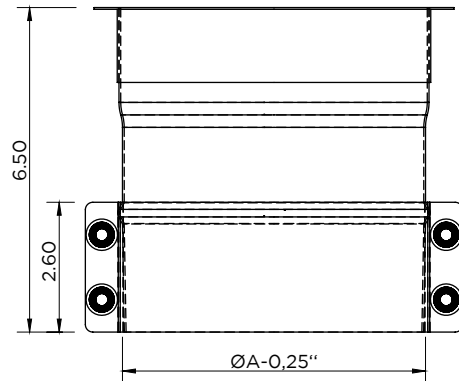
Raw Collar Adapter - Inside - Start - Small / DWGVØ-RCIS-SM



Ø	ØA	ØB
3	3	5
4	4	6
5	5	7
6	6	8
7	7	9
8	8	10
9	9	11
10	10	12
12	12	14

Includes Locking Band with gear Clamp

Raw Collar Inside Adapter - Small / DWGVØ-RCI-SM

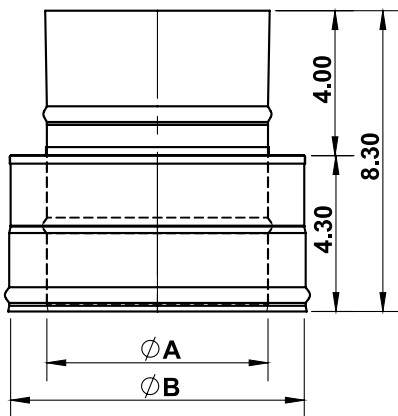


Ø	ØA
13	13
14	14
16	16
18	18
20	20
22	22
24	24
26	26
28	28
30	30
32	32
34	34
36	36

Includes Locking Band with Latch Clamp

ADAPTERS

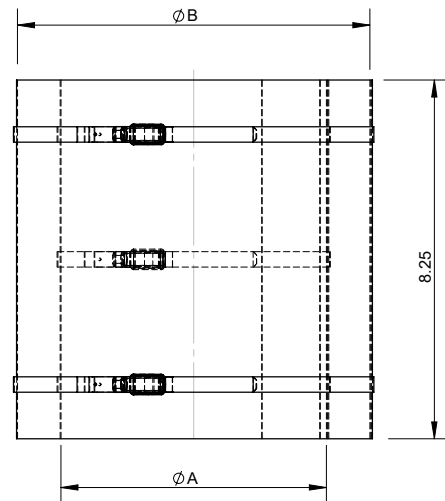
DWGV to SWKL Adapter / DWGVØ-SWKLØ



Ø	ØA	ØB
3	3	5
4	4	6
5	5	7
6	6	8
7	7	9
8	8	10
9	9	11
10	10	12
12	12	14

Includes Locking Band with gear Clamp

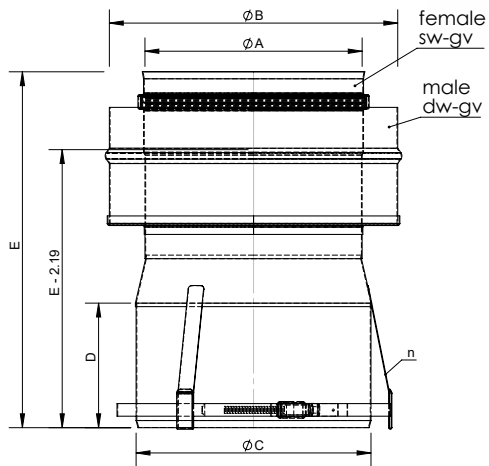
Universal Adapter / DWGVØ-UAA



Ø	ØA	ØB
3	3	5
4	4	6
5	5	7
6	6	8
7	7	9
8	8	10
9	9	11
10	10	12
12	12	14

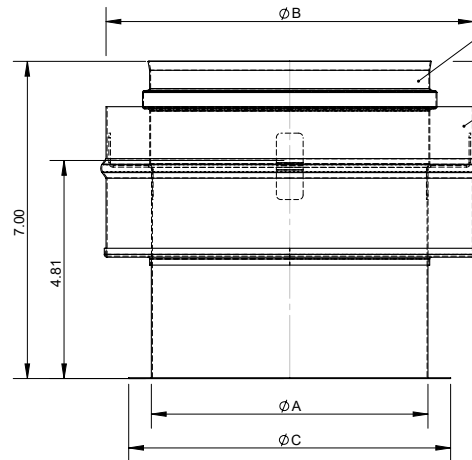
ADAPTERS

PVC Adapter - Start / DWGVØ-PVCS



Ø	A	B	ØC	D	E
4	4	6	4.47	2.5	9
6	6	8	6.6	3.5	10
8	8	10	8.6	4.5	11
10	10	12	10.72	5.5	12
12	12	14	12.72	6.5	13

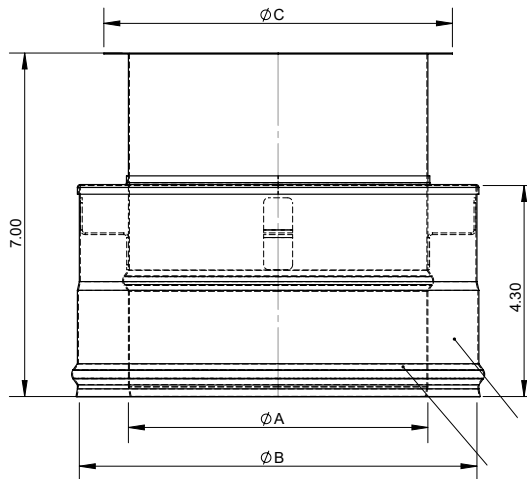
Flange Collar - Start / DWGVØ-FCS



Ø	A	B	ØC
3	3	5	4.1
4	4	6	5.1
5	5	7	6.1
6	6	8	7.1
7	7	9	8.1
8	8	10	9.1
9	9	11	10.1
10	10	12	11.1
12	12	14	13.1

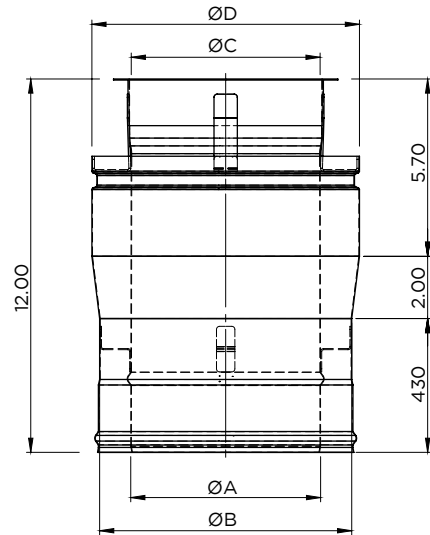
ADAPTERS

Flange Collar - End / DWGVØ-FCE



Ø	A	B	ØC
3	3	5	4.1
4	4	6	5.1
5	5	7	6.1
6	6	8	7.1
7	7	9	8.1
8	8	10	9.1
9	9	11	10.1
10	10	12	11.1
12	12	14	13.1

GV to FL Adapter / DWGVØ-GV2FL

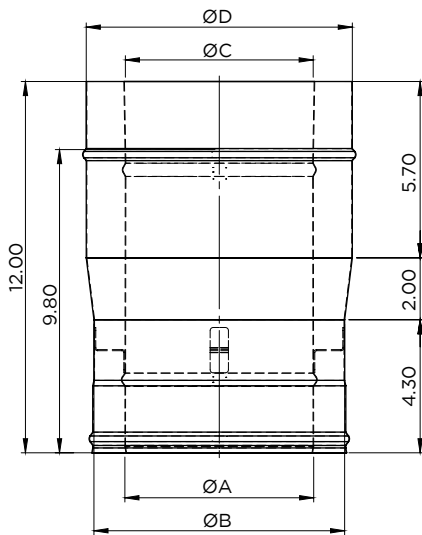


Ø	A	B	C	D
5	5	7	5	7.5
6	6	8	6	8.5
7	7	9	7	9.5
8	8	10	8	10.5
9	9	11	9	11.5
10	10	12	10	12.5
12	12	14	12	14.5

For more adapters, please see adapter matrix on website for complete listing.

ADAPTERS

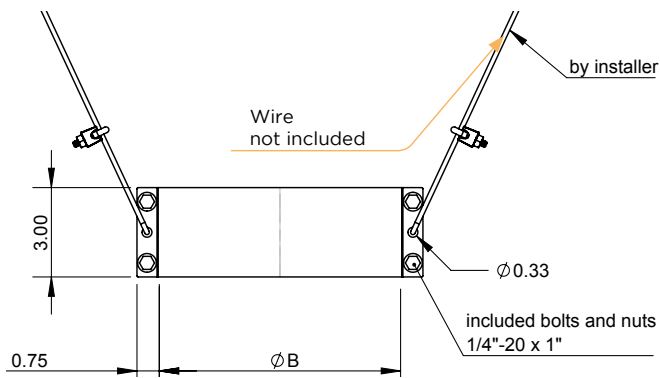
GV to KL Adapter / DWGVØ-GV2KL



Ø	A	B	C	D
3	3	5	3	5.5
4	4	6	4	6.5
5	5	7	5	7.5
6	6	8	6	8.5
7	7	9	7	9.5
8	8	10	8	10.5
9	9	11	9	11.5
10	10	12	10	12.5
12	12	14	12	14.5

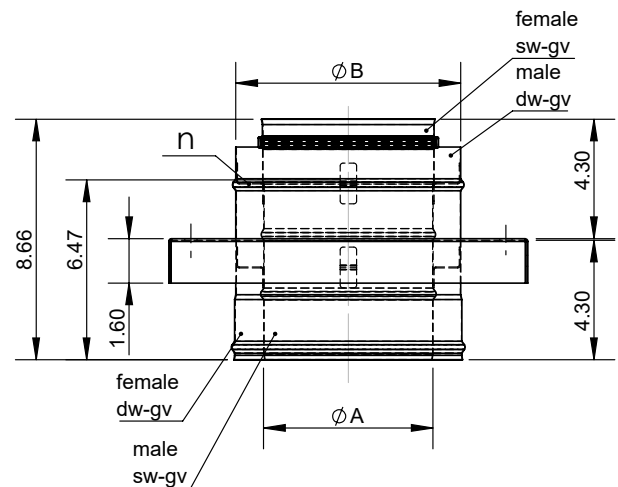
SUPPORTS

Light Support Band / DWGVØ-LSB

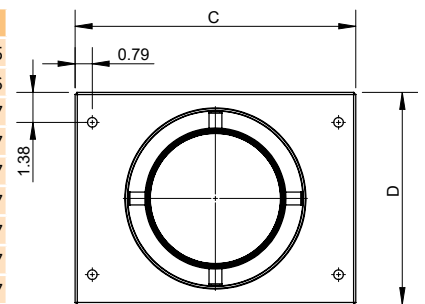


ϕ	B
3	5
4	6
5	7
6	8
7	9
8	10
9	11
10	12
12	14
13	15.6
14	16.6
16	18.6
18	20.6
20	22.6
22	24.6
24	26.6
26	28.6
28	30.6
30	32.6
32	34.6
34	36.6
36	38.6

Anchor Plate Support / DWGVØ-APS



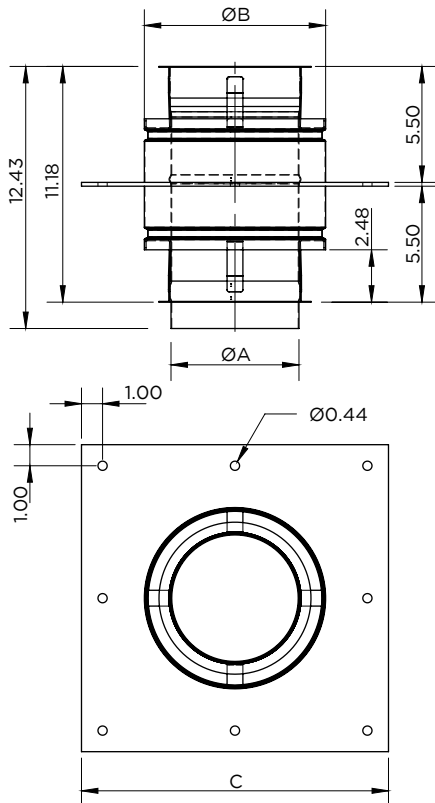
ϕ	ϕA	ϕB	C	ϕD
3	3	5	11.50	8.35
4	4	6	11.71	8.56
5	5	7	11.92	8.77
6	6	8	12.92	9.77
7	7	9	13.92	10.77
8	8	10	14.92	11.77
9	9	11	15.92	12.77
10	10	12	16.92	13.77
12	12	14	18.92	15.77



Includes Locking Band with gear Clamp

SUPPORTS

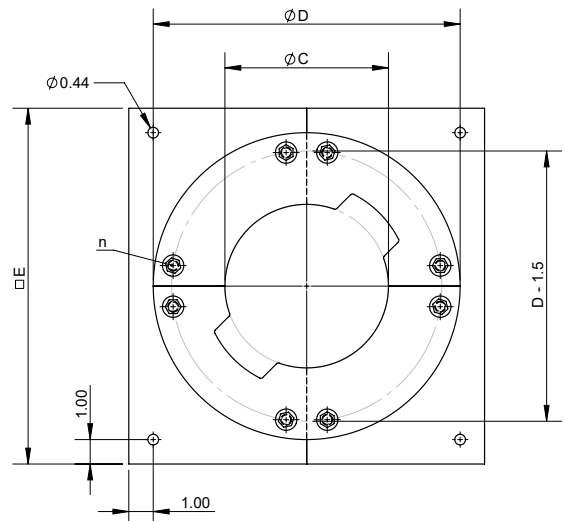
Anchor Plate Support / DWGVØ-APS



Ø	ØA	ØB	C
13	13	15.5	21.56
14	14	16.5	22.56
16	16	18.5	24.56
18	18	20.5	26.56
20	20	22.5	28.56
22	22	24.5	30.56
24	24	26.5	32.56
26	26	28.5	34.56
28	28	30.5	36.56
30	30	32.5	38.56
32	32	34.5	40.56
34	34	36.5	42.56
36	36	38.5	44.56

Includes Locking Band with gear Clamp

Plate Support / DWGVØ-PS

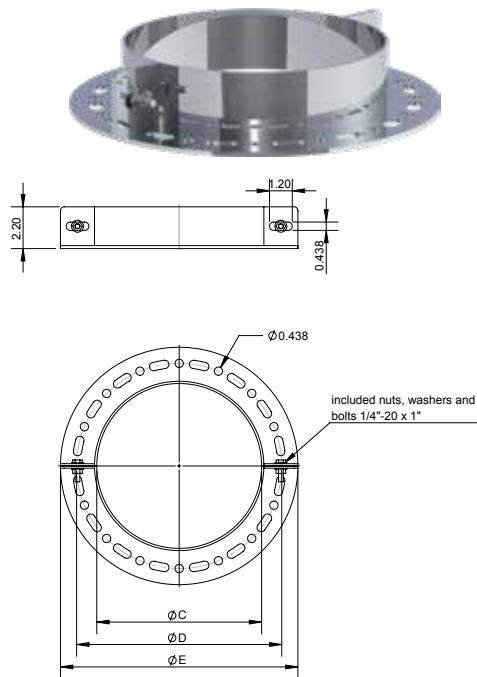


Ø	ØC	ØD	E
13	13.7	19.56	21.56
14	14.7	20.56	22.56
16	16.7	22.56	24.56
18	18.7	24.56	26.56
20	20.7	26.56	28.56
22	22.7	28.56	30.56
24	24.7	30.56	32.56
26	26.7	32.56	34.56
28	28.7	34.56	36.56
30	30.7	36.56	38.56
32	32.7	38.56	40.56
34	34.7	40.56	42.56
36	36.7	42.56	44.56

Includes Locking Band with gear Clamp

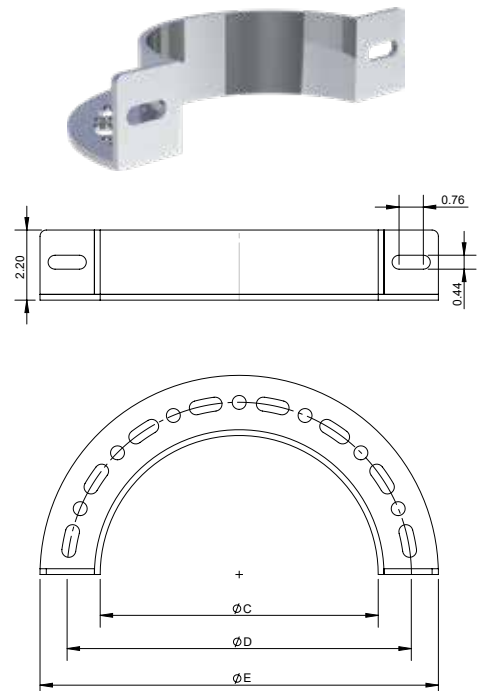
SUPPORTS

Full Angle Ring / DWKLØ-FAR



Ø	ØA	ØB	C	D	E
3	3	5.5	5.69	7.80	9.50
4	4	6.5	6.69	8.80	10.50
5	5	7.5	7.69	9.80	11.50
6	6	8.5	8.69	10.80	12.50
7	7	9.5	9.69	11.80	13.50
8	8	10.5	10.69	12.80	14.50
9	9	11.5	11.69	13.80	15.50
10	10	12.5	12.69	14.80	16.50
12	12	14.5	14.69	16.80	18.50
13	13	15.5	15.69	17.80	19.50
14	14	16.5	16.69	18.80	20.50
16	16	18.5	18.69	20.80	22.50
18	18	20.5	20.69	22.80	24.50
20	20	22.5	22.69	24.80	26.50
22	22	24.5	24.69	26.80	28.50
24	24	26.5	26.69	28.80	30.50
26	26	28.5	28.69	30.80	32.50
28	28	30.5	30.69	32.80	34.50
30	30	32.5	32.69	34.80	36.50
32	32	34.5	34.69	36.80	38.50
34	34	36.5	36.69	38.80	40.50
36	36	38.5	38.69	40.80	42.50

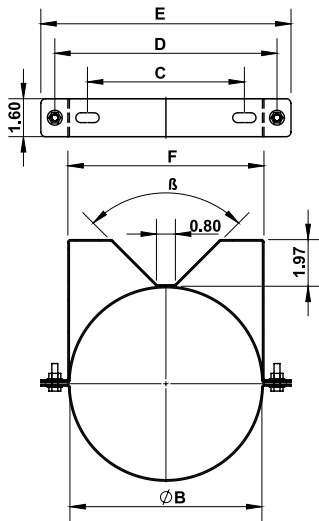
Half Angle Ring / DWKLØ-HAR



Ø	ØC	ØD	ØE
3	5.68	7.80	9.50
4	6.72	8.80	10.50
5	7.72	9.80	11.50
6	8.72	10.80	12.50
7	9.72	11.80	13.50
8	10.72	12.80	14.50
9	11.72	13.80	15.50
10	12.72	14.80	16.50
12	14.72	16.80	18.50
13	15.72	17.80	19.50
14	16.72	18.80	20.50
16	18.72	20.80	22.50
18	20.72	22.80	24.50
20	22.72	24.80	26.50
22	24.72	26.80	28.50
24	26.72	28.80	30.50
26	28.72	30.80	32.50
28	30.72	32.80	34.50
30	32.72	34.80	36.50
32	34.72	36.80	38.50
34	36.72	38.80	40.50
36	38.72	40.80	42.50

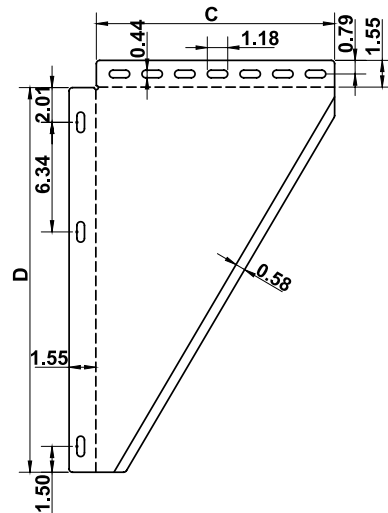
SUPPORTS

Wall Band / DWGVØ-WBA



Ø	ØB	C	D	E
3	5	3.62	6.38	7.56
4	6	4.62	7.38	8.56
5	7	5.62	8.38	9.56
6	8	6.62	9.38	10.56
7	9	7.62	10.38	11.56
8	10	8.62	11.38	12.56
9	11	9.62	12.38	13.56
10	12	10.62	13.38	14.56
12	14	12.62	15.38	16.56

Wall Brackets for Anchor Plate Support & Full Angle Ring / DWGVØ-WB



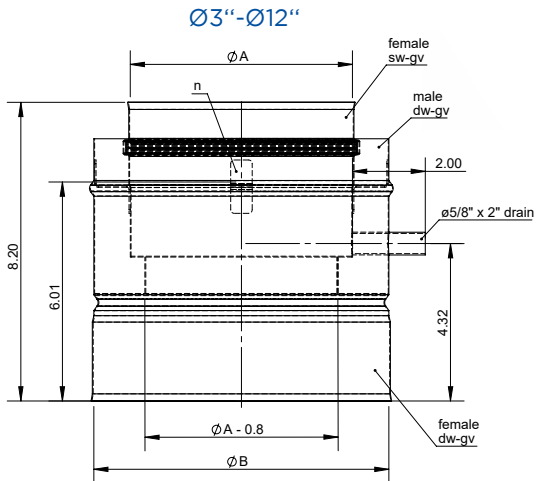
Ø	C	D
3	11.81	21.06
4	11.81	21.06
5	12.99	22.24
6	13.78	22.24
7	13.78	22.24
8	15.75	24.21
9	17.72	24.21
10	17.72	24.21
12	19.69	26.18
13	21.65	26.18
14	21.65	26.18
16	23.62	28.15
18	25.59	28.15
20	27.56	30.12
22	29.53	30.12
24	29.53	30.12
26	31.50	34.06
28	33.46	36.02
30	35.43	37.99
32	37.40	39.96
34	39.37	41.93
36	41.34	43.90

SUPPORTS

Drain Tee Cap for support / DWGVØ-DCSS

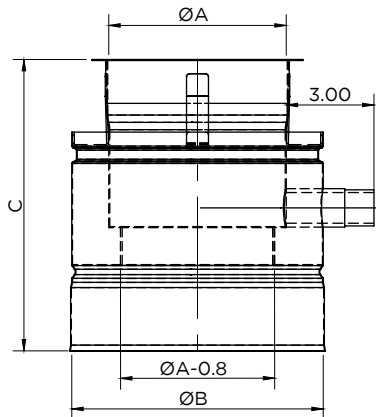
Ø3"-Ø12"

Ø13"-Ø36"

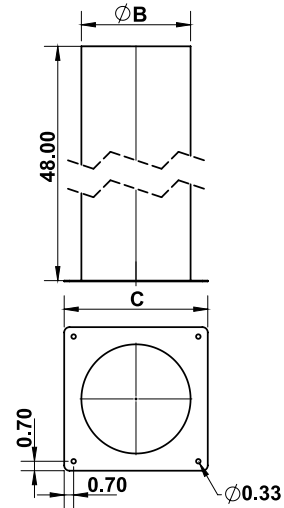
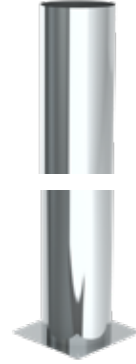


Ø	ØA	ØB	C
3	3	5	
4	4	6	
5	5	7	
6	6	8	
7	7	9	
8	8	10	
9	9	11	
10	10	12	
12	12	14	
13	13	15.5	9.96
14	14	16.5	9.96
16	16	18.5	9.96
18	18	20.5	9.96
20	20	22.5	9.96
22	22	24.5	9.96
24	24	26.5	9.96
26	26	28.5	11.22
28	28	30.5	11.22
30	30	32.5	11.22
32	32	34.5	11.22
34	34	36.5	11.22
36	36	38.5	11.22

Ø13"-Ø36"



Support with square base plate / DWGVØ-SBP



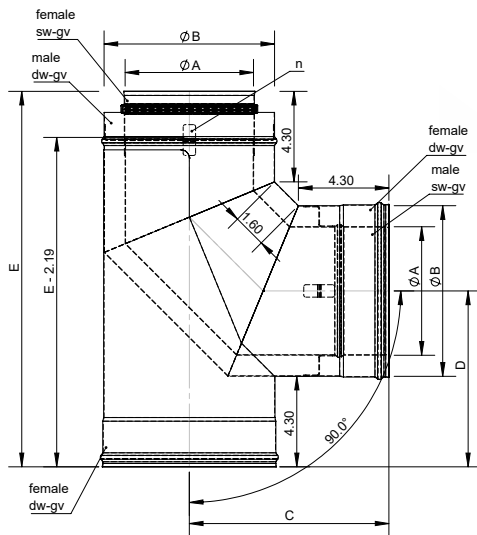
Ø	ØB	C
3	5	7.65
4	6	8.65
5	7	9.65
6	8	10.65
7	9	11.65
8	10	12.65
9	11	13.65
10	12	14.65
12	14	16.65
13	15.5	18.16
14	16.5	19.16
16	18.5	21.16
18	20.5	23.16
20	22.5	25.16
22	24.5	27.16
24	26.5	29.16

Works with SBP. Includes Locking Band with gear Clamp.

SUPPORTS

Elbow 90° with support leg / DWGVØ-90ES

Ø3"-Ø12"

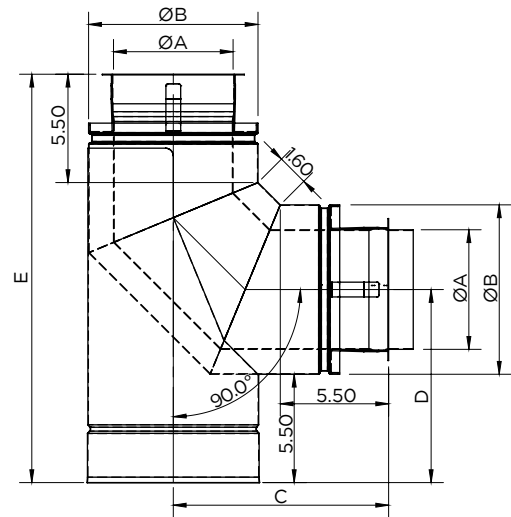


Ø	ØA	ØB	C	D	E
3	3	5	7.98	6.85	14.83
4	4	6	8.48	7.35	15.83
5	5	7	8.98	7.85	16.83
6	6	8	9.48	8.35	17.83
7	7	9	9.98	8.85	18.83
8	8	10	10.48	9.35	19.83
9	9	11	10.98	9.85	20.83
10	10	12	11.48	10.35	21.83
12	12	14	12.48	11.35	23.83

Works with SBP. Includes Locking Band with gear Clamp.

Elbow 90° with support leg / DWGVØ-90ES

Ø13"-Ø24"



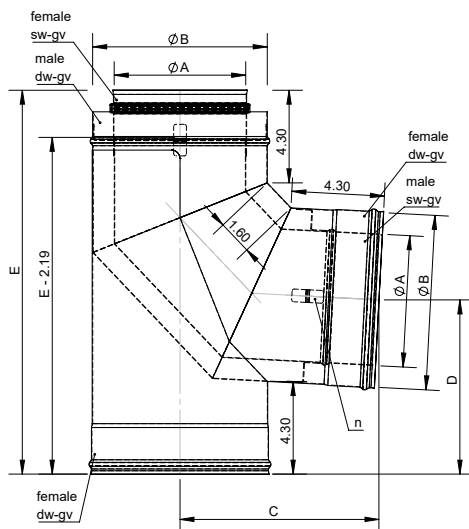
Ø	ØA	ØB	C	D	E
13	13	15.5	14.43	13.3	27.73
14	14	16.5	14.93	13.8	28.73
16	16	18.5	15.93	14.8	30.73
18	18	20.5	16.94	15.8	32.74
20	20	22.5	17.94	16.8	34.74
22	22	24.5	18.94	17.8	36.74
24	24	26.5	19.94	18.8	38.74

Works with SBP.

SUPPORTS

Elbow 87° with support leg / DWGVØ-87ES

Ø3"-Ø12"

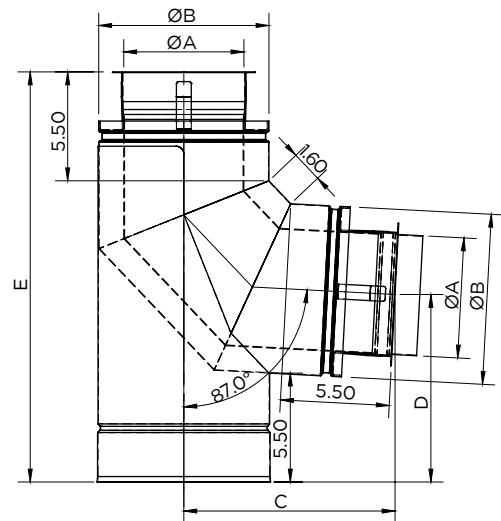


Ø	ØA	ØB	C	D	E
3	3	5	7.81	6.58	14.81
4	4	6	8.29	7.08	15.81
5	5	7	8.76	7.58	16.82
6	6	8	9.23	8.09	17.82
7	7	9	9.71	8.59	18.82
8	8	10	10.18	9.09	19.82
9	9	11	10.66	9.59	20.82
10	10	12	11.13	10.09	21.82
12	12	14	12.08	11.10	23.82

Works with SBP. Includes Locking Band with gear Clamp.

Elbow 87° with support leg / DWGVØ-87ES

Ø13"-Ø24"

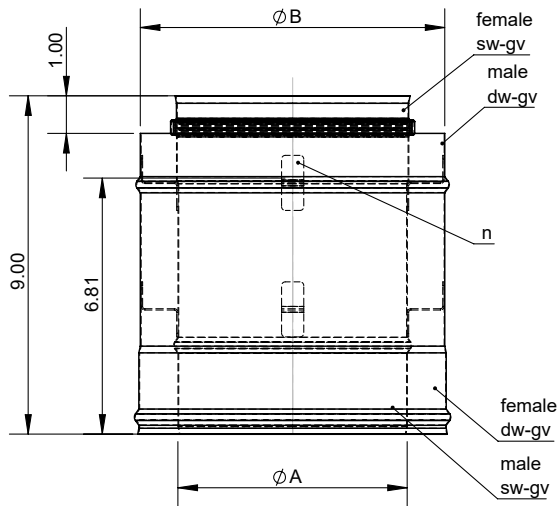


Ø	ØA	ØB	C	D	E
13	13	15.5	13.99	12.99	27.72
14	14	16.5	14.46	13.49	28.73
16	16	18.5	15.41	14.49	30.73
18	18	20.5	16.36	15.5	32.74
20	20	22.5	17.31	16.51	34.74
22	22	24.5	18.25	17.51	36.75
24	24	26.5	19.2	18.51	38.75

Works with SBP.

STRAIGHT LENGTHS

9" Fixed Length / DWGVØ-9L



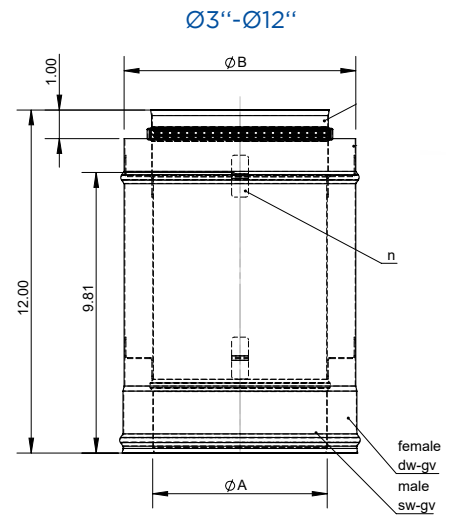
Ø	ØA	ØB
3	3	5
4	4	6
5	5	7
6	6	8
7	7	9
8	8	10
9	9	11
10	10	12
12	12	14

* - Installed lengths. Includes Locking Band with gear Clamp.

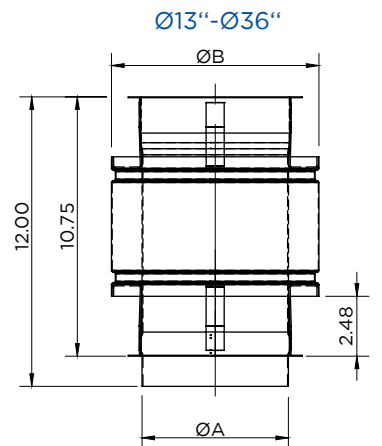
12" Fixed Length / DWGVØ-12L

Ø3"-Ø12"

Ø13"-Ø36"



Ø	ØA	ØB
3	3	5
4	4	6
5	5	7
6	6	8
7	7	9
8	8	10
9	9	11
10	10	12
12	12	14
13	13	15.5
14	14	16.5
16	16	18.5
18	18	20.5
20	20	22.5
22	22	24.5
24	24	26.5
26	26	28.5
28	28	30.5
30	30	32.5
32	32	34.5
34	34	36.5
36	36	38.5



* - Installed lengths. Includes Locking Band with gear Clamp.

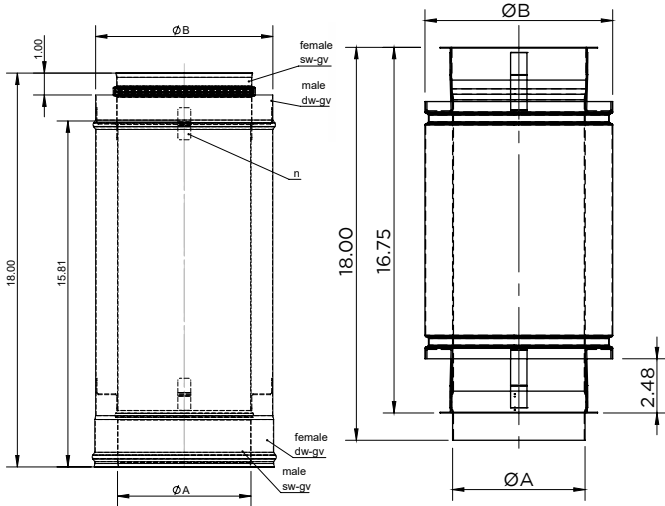
STRAIGHT LENGTHS

18" Fixed Length / DWGVØ-18L

Ø3"-Ø12"



Ø13"-Ø36"



Ø	ØA	ØB
3	3	5
4	4	6
5	5	7
6	6	8
7	7	9
8	8	10
9	9	11
10	10	12
12	12	14
13	13	15.5
14	14	16.5
16	16	18.5
18	18	20.5
20	20	22.5
22	22	24.5
24	24	26.5
26	26	28.5
28	28	30.5
30	30	32.5
32	32	34.5
34	34	36.5
36	36	38.5

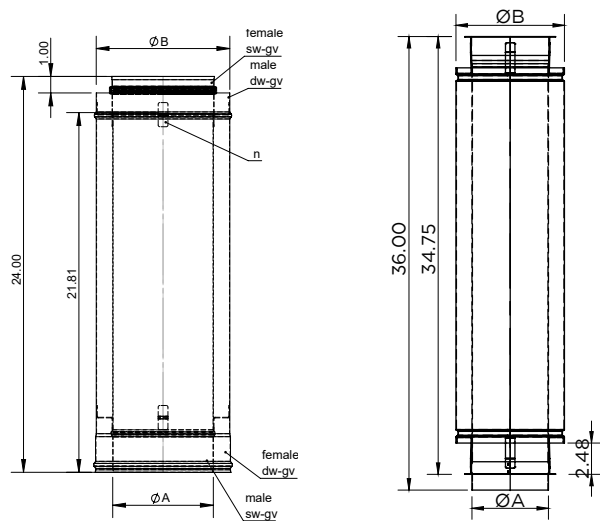
* - Installed lengths. Includes Locking Band with gear Clamp.

24" Fixed Length / DWGVØ-24L

Ø3"-Ø12"



Ø13"-Ø36"



Ø	ØA	ØB
3	3	5
4	4	6
5	5	7
6	6	8
7	7	9
8	8	10
9	9	11
10	10	12
12	12	14
13	13	15.5
14	14	16.5
16	16	18.5
18	18	20.5
20	20	22.5
22	22	24.5
24	24	26.5
26	26	28.5
28	28	30.5
30	30	32.5
32	32	34.5
34	34	36.5
36	36	38.5

* - Installed lengths. Includes Locking Band with gear Clamp.

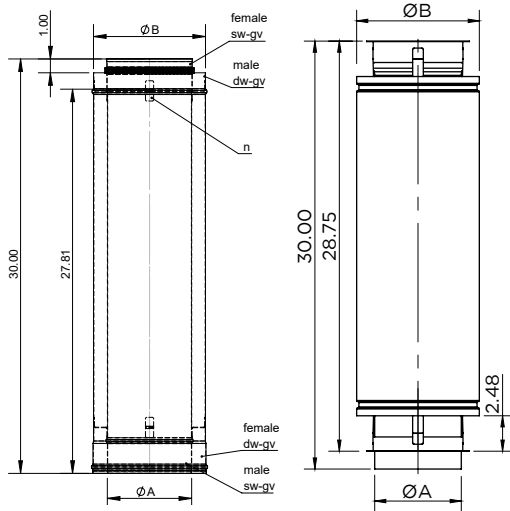
STRAIGHT LENGTHS

30" Fixed Length / DWGVØ-30L

Ø3"-Ø12"



Ø13"-Ø36"



Ø	ØA	ØB
3	3	5
4	4	6
5	5	7
6	6	8
7	7	9
8	8	10
9	9	11
10	10	12
12	12	14
13	13	15.5
14	14	16.5
16	16	18.5
18	18	20.5
20	20	22.5
22	22	24.5
24	24	26.5
26	26	28.5
28	28	30.5
30	30	32.5
32	32	34.5
34	34	36.5
36	36	38.5

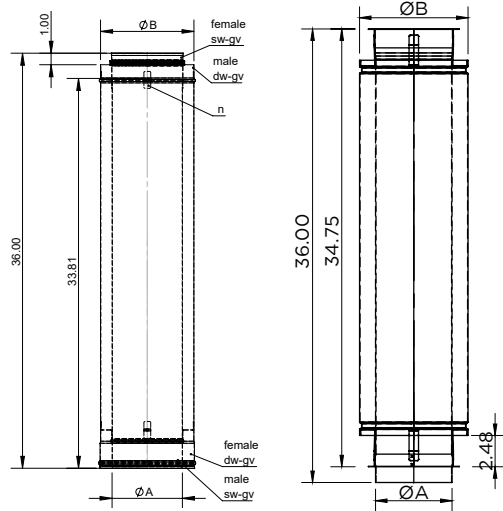
* - Installed lengths. Includes Locking Band with gear Clamp.

36" Fixed Length / DWGVØ-36L

Ø3"-Ø12"



Ø13"-Ø36"



Ø	ØA	ØB
3	3	5
4	4	6
5	5	7
6	6	8
7	7	9
8	8	10
9	9	11
10	10	12
12	12	14
13	13	15.5
14	14	16.5
16	16	18.5
18	18	20.5
20	20	22.5
22	22	24.5
24	24	26.5
26	26	28.5
28	28	30.5
30	30	32.5
32	32	34.5
34	34	36.5
36	36	38.5

* - Installed lengths. Includes Locking Band with gear Clamp.

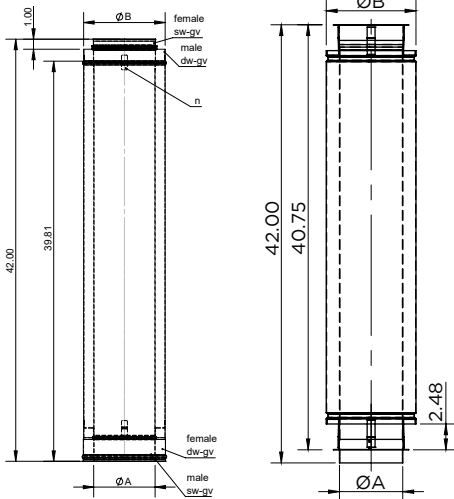
STRAIGHT LENGTHS

42" Fixed Length / DWGVØ-42L

Ø3"-Ø12"



Ø13"-Ø36"



Ø	ØA	ØB
3	3	5
4	4	6
5	5	7
6	6	8
7	7	9
8	8	10
9	9	11
10	10	12
12	12	14
13	13	15.5
14	14	16.5
16	16	18.5
18	18	20.5
20	20	22.5
22	22	24.5
24	24	26.5
26	26	28.5
28	28	30.5
30	30	32.5
32	32	34.5
34	34	36.5
36	36	38.5

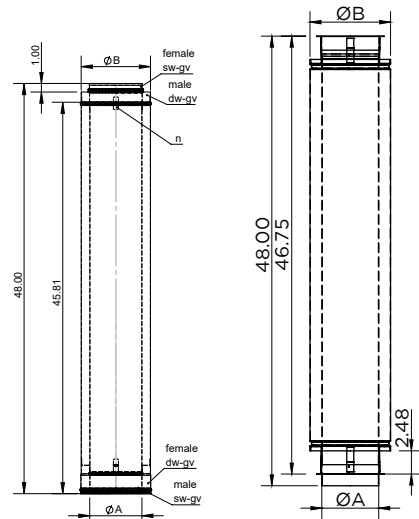
* - Installed lengths. Includes Locking Band with gear Clamp.

48" Fixed Length / DWGVØ-48L

Ø3"-Ø12"



Ø13"-Ø36"

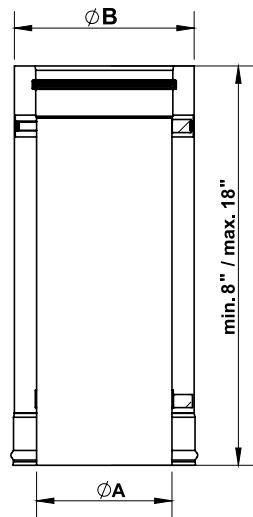


Ø	ØA	ØB
3	3	5
4	4	6
5	5	7
6	6	8
7	7	9
8	8	10
9	9	11
10	10	12
12	12	14
13	13	15.5
14	14	16.5
16	16	18.5
18	18	20.5
20	20	22.5
22	22	24.5
24	24	26.5
26	26	28.5
28	28	30.5
30	30	32.5
32	32	34.5
34	34	36.5
36	36	38.5

* - Installed lengths. Includes Locking Band with gear Clamp.

ADJUSTABLE LENGTHS

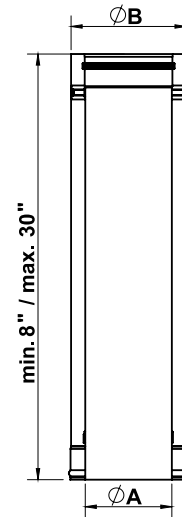
18" Cut Pipe Length / DWGVØ-18CL



Ø	ØA	ØB
3	3	5
4	4	6
5	5	7
6	6	8
7	7	9
8	8	10
9	9	11
10	10	12
12	12	14

* - Installed lengths. Includes Locking Band with gear Clamp.

30" Cut Pipe Length / DWGVØ-30CL

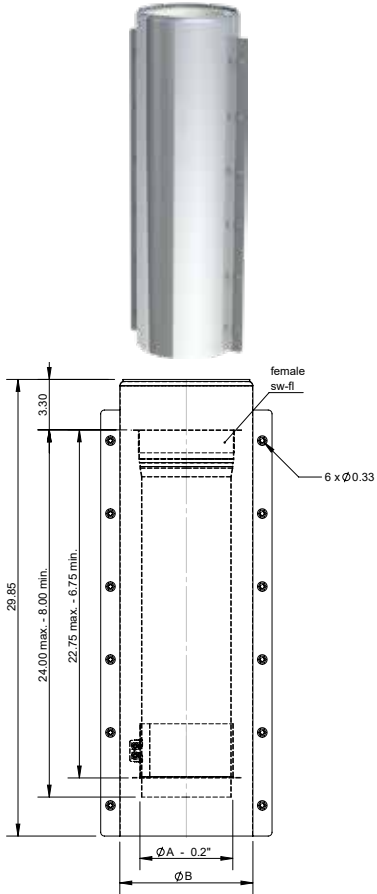


Ø	ØA	ØB
3	3	5
4	4	6
5	5	7
6	6	8
7	7	9
8	8	10
9	9	11
10	10	12
12	12	14

* - Installed lengths. Includes Locking Band with gear Clamp.

ADJUSTABLE LENGTHS

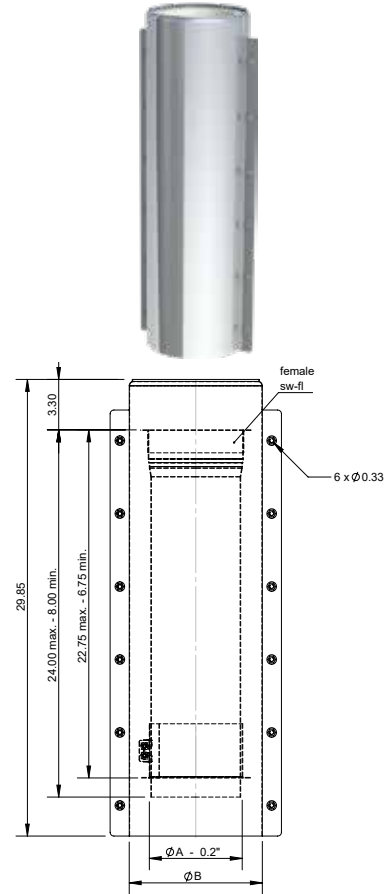
24" Adjustable Length / DWGVØ-24AL



Ø	ØA	ØB
13	13	15.5
14	14	16.5
16	16	18.5
18	18	20.5
20	20	22.5
22	22	24.5
24	24	26.5
26	26	28.5
28	28	30.5
30	30	32.5
32	32	34.5
34	34	36.5
36	36	38.5

Includes Locking Band with gear Clamp.

24" Adjustable Length / DWGVØ-24AL

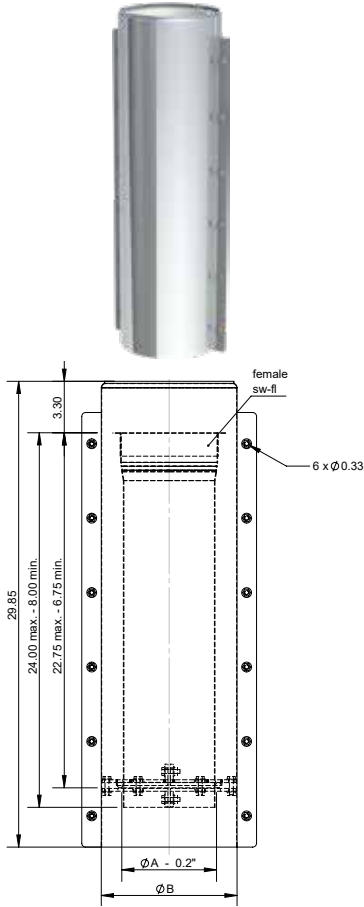


Ø	ØA	ØB
3	3	5
4	4	6
5	5	7
6	6	8
7	7	9
8	8	10
9	9	11
10	10	12
12	12	14

Includes Locking Band with gear Clamp.

ADJUSTABLE LENGTHS

24" Adjustable Length w/ Gasket / DWGVØ-24ALG



ϕ	ϕA	ϕB
13	13	15.5
14	14	16.5
16	16	18.5
18	18	20.5
20	20	22.5
22	22	24.5
24	24	26.5
26	26	28.5
28	28	30.5
30	30	32.5
32	32	34.5
34	34	36.5
36	36	38.5

Includes Locking Band with gear Clamp.

ELBOWS

15° Elbow / DWGVØ-15EL

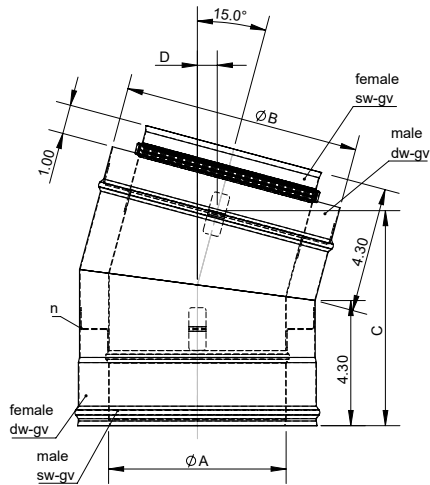
Ø3"-Ø12"



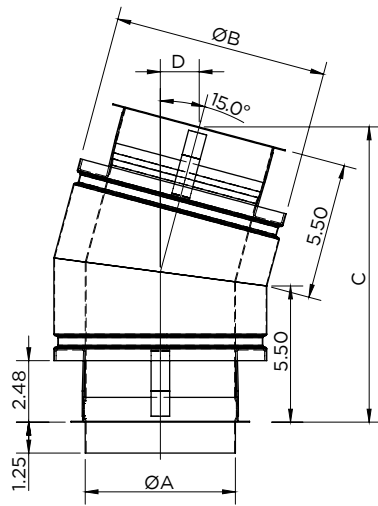
Ø13"-Ø36"



Ø3"-Ø12"



Ø13"-Ø36"



Ø	ØA	ØB	C	D
3	3	5	7	0.63
4	4	6	7.13	0.65
5	5	7	7.26	0.67
6	6	8	7.39	0.68
7	7	9	7.52	0.7
8	8	10	7.65	0.72
9	9	11	7.78	0.74
10	10	12	7.91	0.75
12	12	14	8.17	0.79
13	13	15.5	12.83	1.69
14	14	16.5	12.96	1.71
16	16	18.5	13.22	1.74
18	18	20.5	13.48	1.77
20	20	22.5	13.74	1.81
22	22	24.5	14	1.84
24	24	26.5	14.26	1.88
26	26	28.5	14.51	1.91
28	28	30.5	14.77	1.95
30	30	32.5	15.03	1.98
32	32	34.5	15.29	2.01
34	34	36.5	15.55	2.05
36	36	38.5	15.81	2.08

Includes Locking Band with gear Clamp

30° Elbow / DWGVØ-30EL

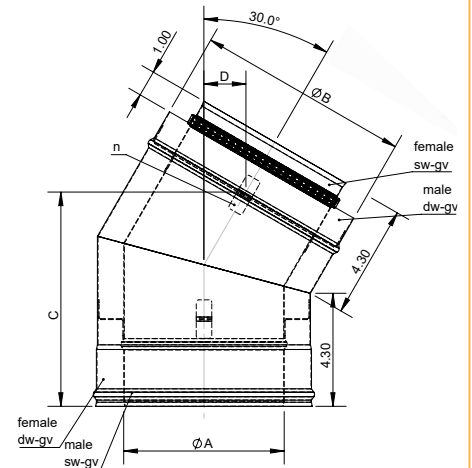
Ø3"-Ø12"



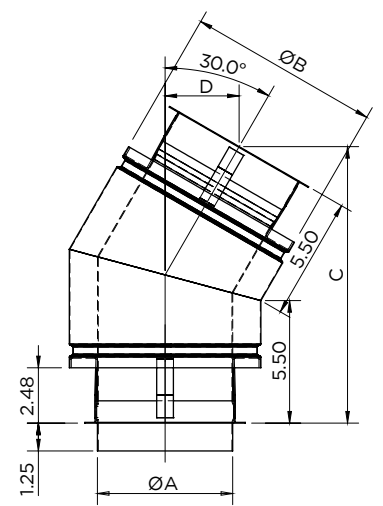
Ø13"-Ø36"



Ø3"-Ø12"



Ø13"-Ø36"



Ø	ØA	ØB	C	D
3	3	5	7.41	1.4
4	4	6	7.66	1.47
5	5	7	7.91	1.53
6	6	8	8.16	1.6
7	7	9	8.41	1.67
8	8	10	8.66	1.73
9	9	11	8.91	1.8
10	10	12	9.16	1.87
12	12	14	9.66	2
13	13	15.5	14.16	3.79
14	14	16.5	14.41	3.86
16	16	18.5	14.91	4
18	18	20.5	15.42	4.13
20	20	22.5	15.92	4.26
22	22	24.5	16.42	4.4
24	24	26.5	16.92	4.53
26	26	28.5	17.42	4.67
28	28	30.5	17.92	4.8
30	30	32.5	18.42	4.93
32	32	34.5	18.92	5.07
34	34	36.5	19.42	5.2
36	36	38.5	19.92	5.34

Includes Locking Band with gear Clamp

ELBOWS

45° Elbow / DWGVØ-45EL

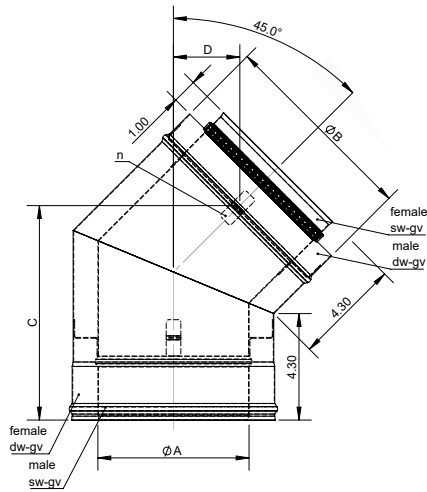
Ø3"-Ø12"



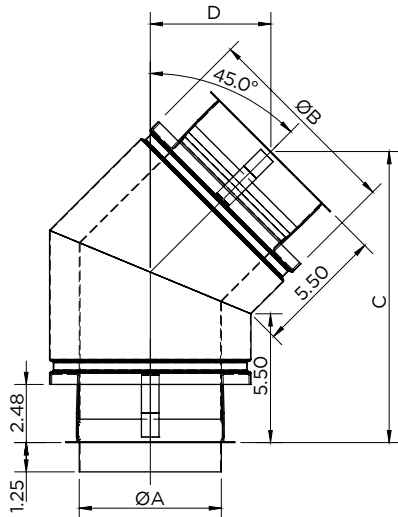
Ø13"-Ø36"



Ø3"-Ø12"



Ø13"-Ø36"

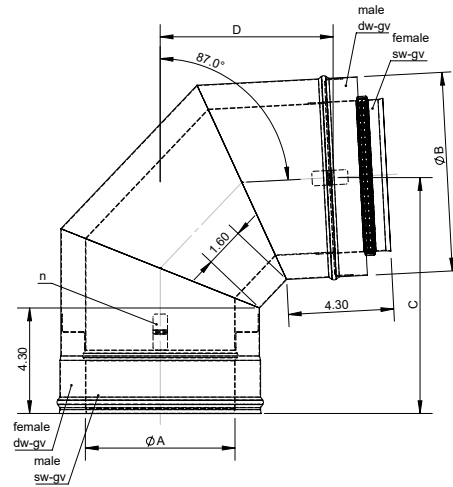


Ø	ØA	ØB	C	D
3	3	5	7.6	2.24
4	4	6	7.95	2.39
5	5	7	8.3	2.53
6	6	8	8.66	2.68
7	7	9	9.01	2.83
8	8	10	9.37	2.97
9	9	11	9.72	3.12
10	10	12	10.07	3.27
12	12	14	10.78	3.56
13	13	15.5	14.9	6.17
14	14	16.5	15.26	6.32
16	16	18.5	15.97	6.61
18	18	20.5	16.68	6.91
20	20	22.5	17.38	7.2
22	22	24.5	18.09	7.49
24	24	26.5	18.8	7.79
26	26	28.5	19.5	8.08
28	28	30.5	20.21	8.37
30	30	32.5	20.92	8.66
32	32	34.5	21.63	8.96
34	34	36.5	22.33	9.25
36	36	38.5	23.04	9.54

Includes Locking Band with gear Clamp

87° Elbow / DWGVØ-87EL

Ø3"-Ø12"



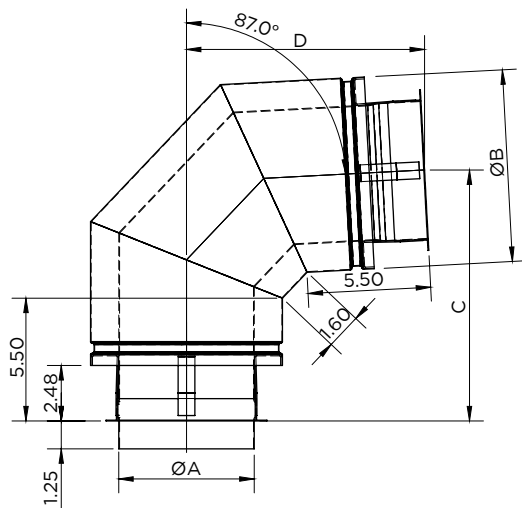
Ø	ØA	ØB	C	D
3	3	5	8.12	5.63
4	4	6	8.62	6.1
5	5	7	9.12	6.58
6	6	8	9.62	7.05
7	7	9	10.12	7.52
8	8	10	10.62	8
9	9	11	11.11	8.47
10	10	12	11.61	8.95
12	12	14	12.61	9.89

Includes Locking Band with gear Clamp

ELBOWS

87° Elbow / DWGVØ-87EL

Ø13"-Ø36"

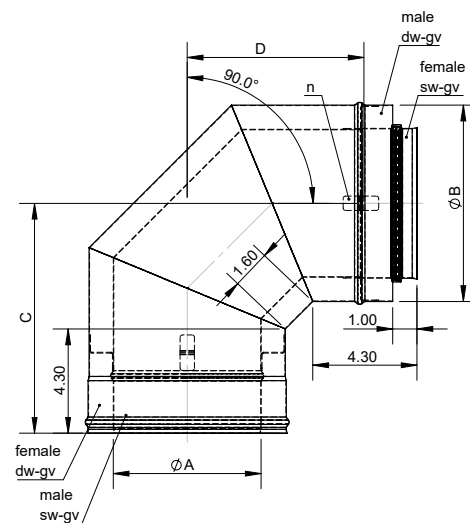


Ø	ØA	ØB	C	D
13	13	15.5	14.73	13.97
14	14	16.5	15.22	14.45
16	16	18.5	16.22	15.4
18	18	20.5	17.22	16.34
20	20	22.5	18.22	17.29
22	22	24.5	19.22	18.24
24	24	26.5	20.22	19.19
26	26	28.5	21.22	20.13
28	28	30.5	22.21	21.08
30	30	32.5	23.21	22.03
32	32	34.5	24.21	22.98
34	34	36.5	25.21	23.92
36	36	38.5	26.21	24.87

Includes Locking Band with gear Clamp

90° Elbow / DWGVØ-90EL

Ø3"-Ø12"



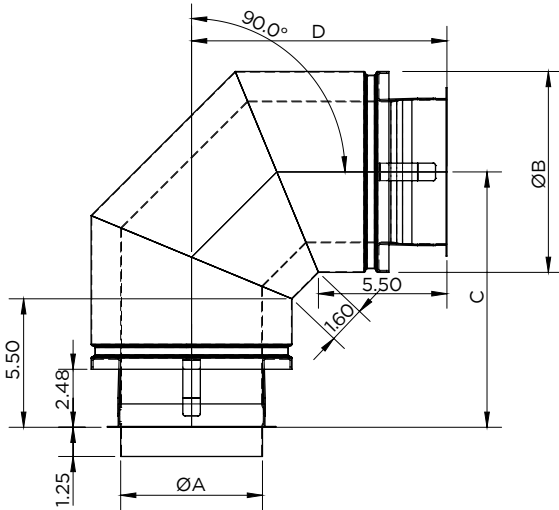
Ø	ØA	ØB	C	D
3	3	5	7.98	5.8
4	4	6	8.48	6.3
5	5	7	8.98	6.8
6	6	8	9.48	7.3
7	7	9	9.98	7.8
8	8	10	10.48	8.3
9	9	11	10.98	8.8
10	10	12	11.48	9.3
12	12	14	12.48	10.3

Includes Locking Band with gear Clamp

ELBOWS

90° Elbow/ DWGVØ-90EL

Ø13"-Ø36"



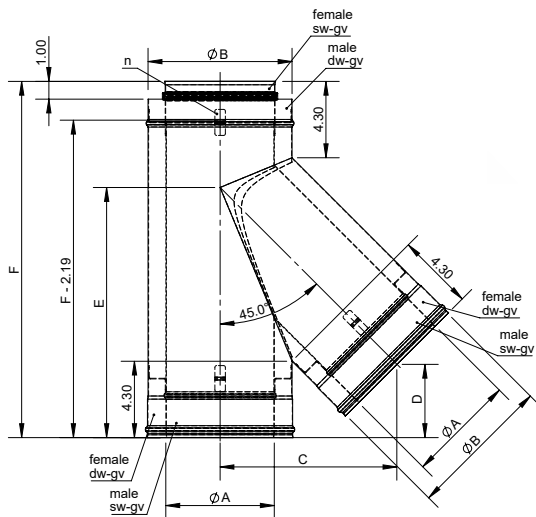
Ø	ØA	ØB	C	D
13	13	15.5	14.42	14.42
14	14	16.5	14.92	14.92
16	16	18.5	15.92	15.92
18	18	20.5	16.92	16.92
20	20	22.5	17.92	17.92
22	22	24.5	18.92	18.92
24	24	26.5	19.92	19.92
26	26	28.5	20.92	20.92
28	28	30.5	21.92	21.92
30	30	32.5	22.92	22.92
32	32	34.5	23.92	23.92
34	34	36.5	24.92	24.92
36	36	38.5	25.92	25.92

Includes Locking Band with gear Clamp

TEES

45° Tee / DWGVØ-45T

Ø3"-Ø12"

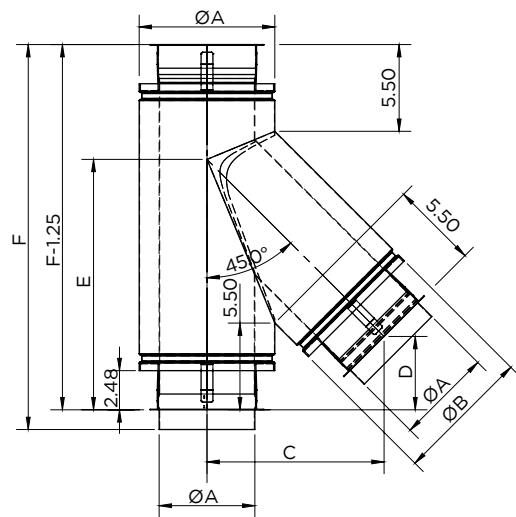


Ø	ØA	ØB	C	D	E	F
3	3	5	7.40	3.06	10.46	15.82
4	4	6	8.25	3.42	11.67	17.23
5	5	7	9.10	3.77	12.87	18.64
6	6	8	9.96	4.12	14.08	20.06
7	7	9	10.81	4.48	15.29	21.47
8	8	10	11.66	4.83	16.49	22.89
9	9	11	12.52	5.18	17.70	24.30
10	10	12	13.37	5.54	18.91	25.72
12	12	14	15.08	6.25	21.32	28.54

* - Installed lengths. Includes Locking Band with gear Clamp.

45° Tee / DWGVØ-45T

Ø13"-Ø36"



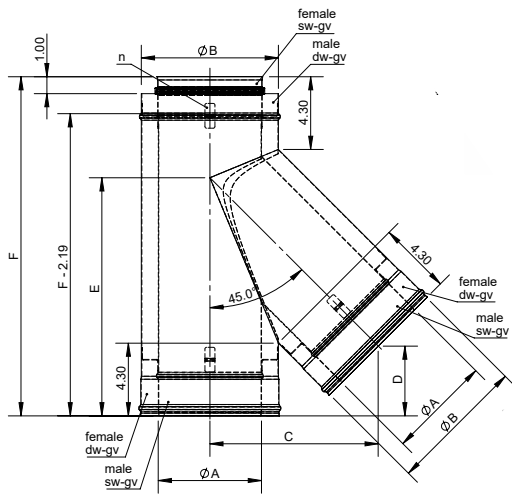
Ø	ØA	ØB	C	D	E	F
13	13	15.5	17.18	7.12	24.3	34.28
14	14	16.5	18.04	7.47	25.51	35.69
16	16	18.5	19.74	8.18	27.92	38.52
18	18	20.5	21.45	8.89	30.34	41.35
20	20	22.5	23.16	9.59	32.75	44.18
22	22	24.5	24.86	10.3	35.16	47
24	24	26.5	26.57	11.01	37.58	49.83
26	26	28.5	28.99	11.71	39.99	52.66
28	28	30.5	29.99	12.42	42.41	55.49
30	30	32.5	31.69	13.13	44.82	58.32
32	32	34.5	33.4	13.83	47.24	61.15
34	34	36.5	35.11	14.54	49.65	63.97
36	36	38.5	36.81	15.25	52.06	66.8

* - Installed lengths. Includes Locking Band with gear Clamp.

TEES

45° Reduction Tee / DWGVØ-45TØ

Ø3"-Ø12"

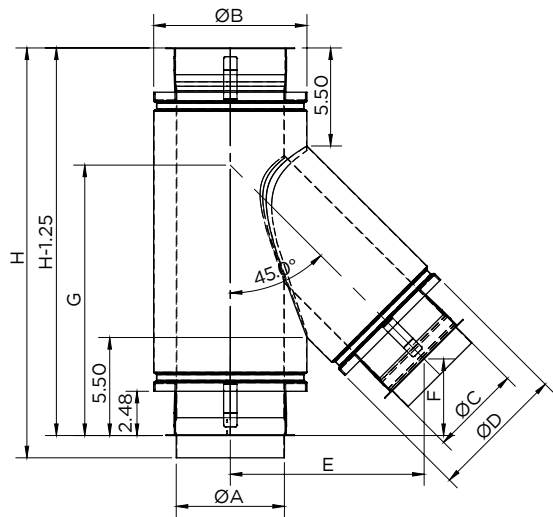


Ø	A	ØB	C	D	E	F	G	H
3	3	5	Customer Dimension	Customer Dimension	Customer Dimension	Customer Dimension	Customer Dimension	Customer Dimension
4	4	6	Customer Dimension	Customer Dimension	Customer Dimension	Customer Dimension	Customer Dimension	Customer Dimension
5	5	7	Customer Dimension	Customer Dimension	Customer Dimension	Customer Dimension	Customer Dimension	Customer Dimension
6	6	8	Customer Dimension	Customer Dimension	Customer Dimension	Customer Dimension	Customer Dimension	Customer Dimension
7	7	9	Customer Dimension	Customer Dimension	Customer Dimension	Customer Dimension	Customer Dimension	Customer Dimension
8	8	10	Customer Dimension	Customer Dimension	Customer Dimension	Customer Dimension	Customer Dimension	Customer Dimension
9	9	11	Customer Dimension	Customer Dimension	Customer Dimension	Customer Dimension	Customer Dimension	Customer Dimension
10	10	12	Customer Dimension	Customer Dimension	Customer Dimension	Customer Dimension	Customer Dimension	Customer Dimension
12	12	14	Customer Dimension	Customer Dimension	Customer Dimension	Customer Dimension	Customer Dimension	Customer Dimension

* - Installed lengths. Includes Locking Band with gear Clamp.

45° Reduction Tee / DWGVØ-45TØ

Ø13"-Ø36"



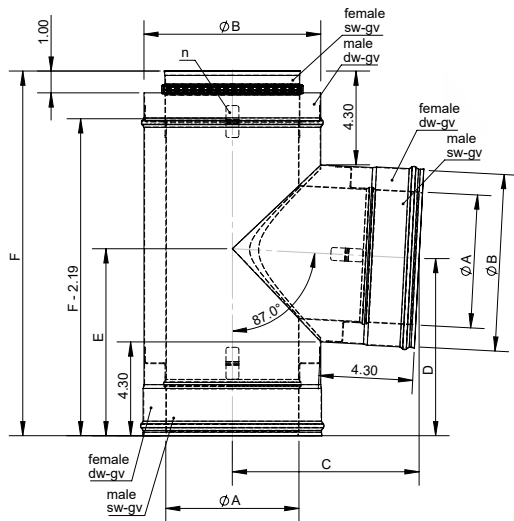
Ø	A	ØB	C	D	E	F	G	H
13	13	15.5	Customer Dimension	Customer Dimension	Customer Dimension	Customer Dimension	Customer Dimension	Customer Dimension
14	14	16.5	Customer Dimension	Customer Dimension	Customer Dimension	Customer Dimension	Customer Dimension	Customer Dimension
16	16	18.5	Customer Dimension	Customer Dimension	Customer Dimension	Customer Dimension	Customer Dimension	Customer Dimension
18	18	20.5	Customer Dimension	Customer Dimension	Customer Dimension	Customer Dimension	Customer Dimension	Customer Dimension
20	20	22.5	Customer Dimension	Customer Dimension	Customer Dimension	Customer Dimension	Customer Dimension	Customer Dimension
22	22	24.5	Customer Dimension	Customer Dimension	Customer Dimension	Customer Dimension	Customer Dimension	Customer Dimension
24	24	26.5	Customer Dimension	Customer Dimension	Customer Dimension	Customer Dimension	Customer Dimension	Customer Dimension
26	26	28.5	Customer Dimension	Customer Dimension	Customer Dimension	Customer Dimension	Customer Dimension	Customer Dimension
28	28	30.5	Customer Dimension	Customer Dimension	Customer Dimension	Customer Dimension	Customer Dimension	Customer Dimension
30	30	32.5	Customer Dimension	Customer Dimension	Customer Dimension	Customer Dimension	Customer Dimension	Customer Dimension
32	32	34.5	Customer Dimension	Customer Dimension	Customer Dimension	Customer Dimension	Customer Dimension	Customer Dimension
34	34	36.5	Customer Dimension	Customer Dimension	Customer Dimension	Customer Dimension	Customer Dimension	Customer Dimension
36	36	38.5	Customer Dimension	Customer Dimension	Customer Dimension	Customer Dimension	Customer Dimension	Customer Dimension

* - Installed lengths. Includes Locking Band with gear Clamp.

TEES

87° Tee / DWGVØ-87T

Ø3"-Ø12"

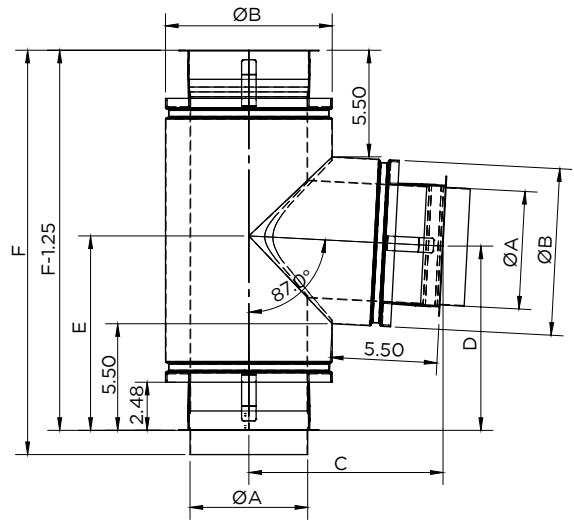


Ø	ØA	ØB	C	D	E	F
3	3	5	6.98	6.62	6.99	13.71
4	4	6	7.50	7.12	7.52	14.71
5	5	7	8.03	7.62	8.04	15.71
6	6	8	8.56	8.12	8.57	16.71
7	7	9	9.08	8.62	9.10	17.71
8	8	10	9.61	9.12	9.62	18.72
9	9	11	10.14	9.62	10.15	19.72
10	10	12	10.66	10.12	10.68	20.72
12	12	14	11.71	11.12	11.73	22.72

* - Installed lengths. Includes Locking Band with gear Clamp.

87° Tee / DWGVØ-87T

Ø13"-Ø36"



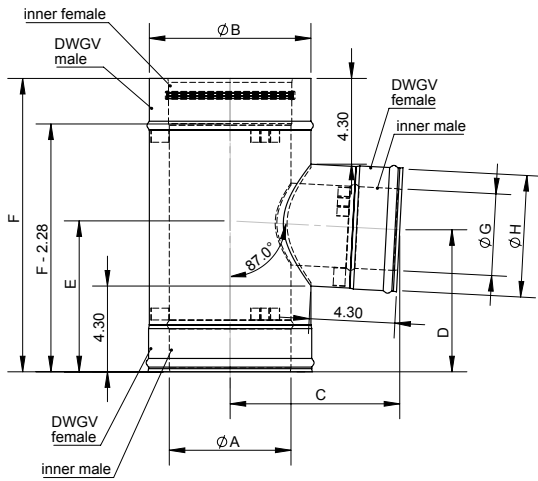
Ø	ØA	ØB	C	D	E	F
13	13	15.5	13.69	12.99	13.71	27.85
14	14	16.5	14.21	13.49	14.23	28.85
16	16	18.5	15.27	14.49	15.29	30.85
18	18	20.5	16.32	15.49	16.34	32.85
20	20	22.5	17.37	16.48	17.39	34.86
22	22	24.5	18.42	17.48	18.45	36.86
24	24	26.5	19.48	18.48	19.5	38.86
26	26	28.5	20.53	19.48	20.56	40.86
28	28	30.5	21.58	20.48	21.61	42.87
30	30	32.5	22.63	21.48	22.66	44.87
32	32	34.5	23.68	22.48	23.72	46.87
34	34	36.5	24.74	23.47	24.77	48.87
36	36	38.5	25.79	24.47	25.82	50.88

* - Installed lengths. Includes Locking Band with gear Clamp.

TEES

87° Reduction Tee / DWGVØ-87TØ

Ø3"-Ø12"

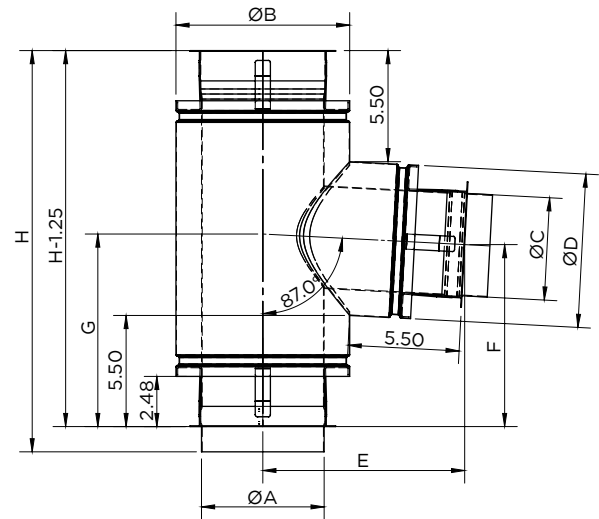


Ø	ØA	ØB	C	D	E	F	ØG	ØH
3	3	5						
4	4	6						
5	5	7	Customer Dimension	Customer Dimension	Customer Dimension	Customer Dimension	Customer Dimension	Customer Dimension
6	6	8						
7	7	9						
8	8	10						
9	9	11						
10	10	12						
12	12	14						

* - Installed length is determined by diameter G. Includes Locking Band with gear Clamp

87° Reduction Tee / DWGVØ-87TØ

Ø13"-Ø36"



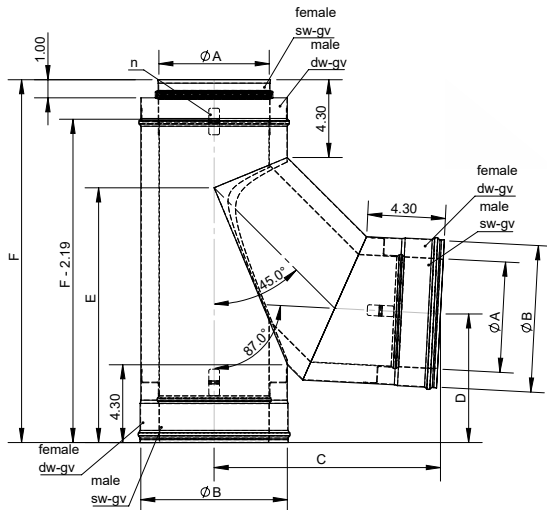
Ø	ØA	ØB	C	D	E	F	ØG	ØH
13	13	15.5						
14	14	16.5						
16	16	18.5						
18	18	20.5						
20	20	22.5						
22	22	24.5						
24	24	26.5						
26	26	28.5	Customer Dimension	Customer Dimension	Customer Dimension	Customer Dimension	Customer Dimension	Customer Dimension
28	28	30.5						
30	30	32.5						
32	32	34.5						
34	34	36.5						
36	36	38.5						

* - Installed length is determined by diameter G. Includes Locking Band with gear Clamp

TEES

87° Boot Tee / DWGVØ-87BT

Ø3"-Ø12"

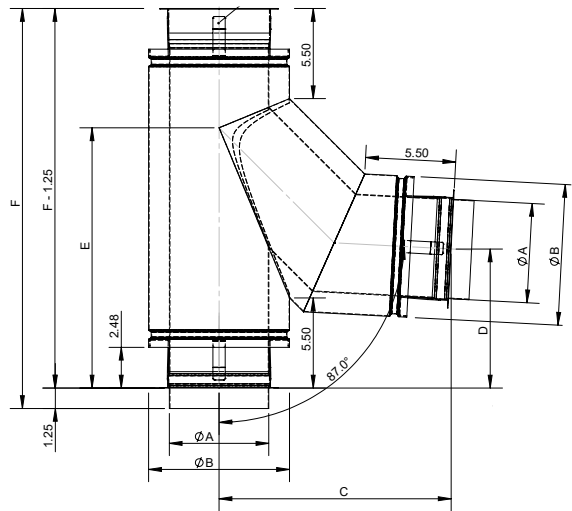


Ø	ØA	ØB	C	D	E	F
3	3	5	9.78	5.67	10.46	15.82
4	4	6	10.69	6.15	11.67	17.23
5	5	7	11.60	6.63	12.87	18.64
6	6	8	12.51	7.11	14.08	20.06
7	7	9	13.42	7.59	15.26	21.47
8	8	10	14.33	8.07	16.49	22.89
9	9	11	15.24	8.55	17.70	24.30
10	10	12	16.15	9.03	18.91	25.72
12	12	14	17.97	9.98	21.32	28.54

* - Installed lengths. Includes Locking Band with gear Clamp.

87° Boot Tee / DWGVØ-87BT

Ø13"-Ø36"



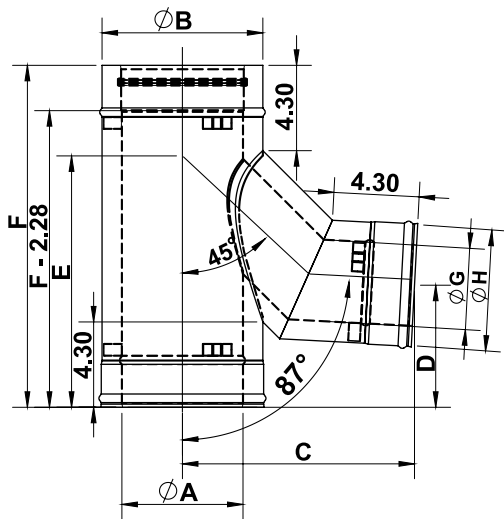
Ø	ØA	ØB	C	D	E	F
13	13	15.5	20.51	11.83	24.3	34.28
14	14	16.5	21.42	12.31	25.51	35.69
16	16	18.5	23.23	13.27	27.92	38.52
18	18	20.5	25.05	14.22	30.34	41.35
20	20	22.5	26.87	15.18	32.75	44.18
22	22	24.5	28.69	16.14	35.16	47
24	24	26.5	30.51	17.1	37.58	49.83
26	26	28.5	32.33	18.06	39.99	52.66
28	28	30.5	34.15	19.02	42.41	55.49
30	30	32.5	35.97	19.97	44.82	58.32
32	32	34.5	37.79	20.93	47.24	61.15
34	34	36.5	39.61	21.89	49.65	63.97
36	36	38.5	41.42	22.85	52.06	66.8

* - Installed lengths. Includes Locking Band with gear Clamp.

TEES

87° Boot Reduction Tee / DWGVØ-87BTØ

Ø3"-Ø12"

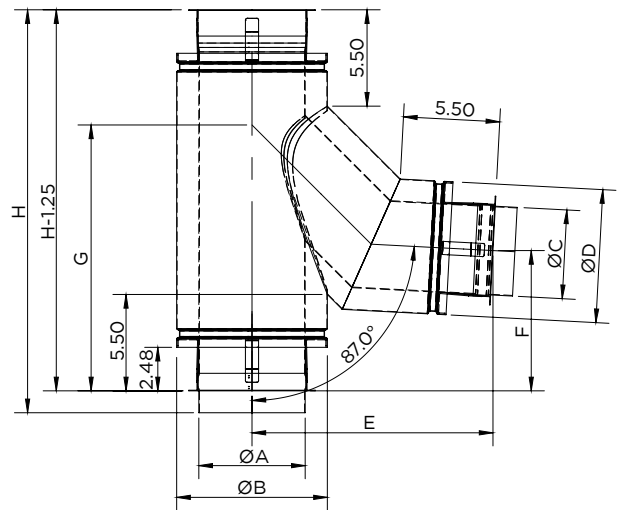


Ø	ØA	ØB	C	D	E	F	ØG	ØH
3	3	5						
4	4	6						
5	5	7	Customer Dimension	Customer Dimension	Customer Dimension	Customer Dimension	Customer Dimension	Customer Dimension
6	6	8						
7	7	9						
8	8	10						
9	9	11						
10	10	12						
12	12	14						

* - Installed length is determined by diameter G. Includes Locking Band with gear Clamp

87° Boot Reduction Tee / DWGVØ-87BTØ

Ø13"-Ø36"



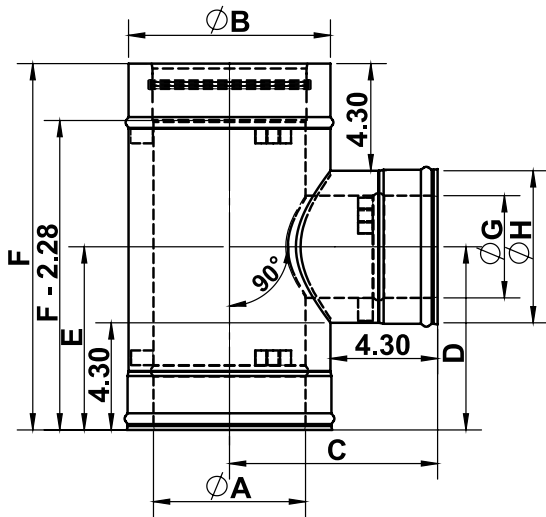
Ø	ØA	ØB	C	D	E	F	ØG	ØH
13	13	15.5						
14	14	16.5						
16	16	18.5						
18	18	20.5	Customer Dimension	Customer Dimension	Customer Dimension	Customer Dimension	Customer Dimension	Customer Dimension
20	20	22.5						
22	22	24.5						
24	24	26.5						
26	26	28.5						
28	28	30.5						
30	30	32.5	Customer Dimension	Customer Dimension	Customer Dimension	Customer Dimension	Customer Dimension	Customer Dimension
32	32	34.5						
34	34	36.5						
36	36	38.5						

* - Installed length is determined by diameter G. Includes Locking Band with gear Clamp

TEES

90° Reduction Tee / DWGVØ-90TØ

Ø3"-Ø12"

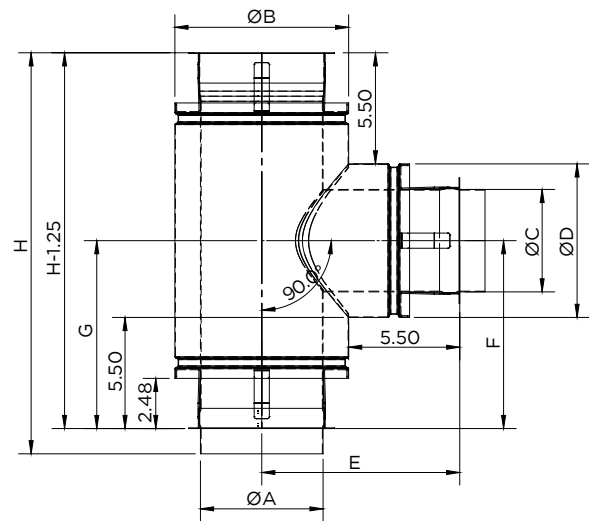


Ø	ØA	ØB	C	D	E	F	ØG	ØH
3	3	5						
4	4	6						
5	5	7	Customer Dimension					
6	6	8	Customer Dimension	Customer Dimension				
7	7	9	Customer Dimension	Customer Dimension	Customer Dimension			
8	8	10	Customer Dimension	Customer Dimension	Customer Dimension	Customer Dimension		
9	9	11	Customer Dimension	Customer Dimension	Customer Dimension	Customer Dimension	Customer Dimension	
10	10	12	Customer Dimension	Customer Dimension	Customer Dimension	Customer Dimension	Customer Dimension	Customer Dimension
12	12	14	Customer Dimension	Customer Dimension	Customer Dimension	Customer Dimension	Customer Dimension	Customer Dimension

* - Installed length is determined by diameter G. Includes Locking Band with gear Clamp

90° Reduction Tee / DWGVØ-90TØ

Ø13"-Ø36"



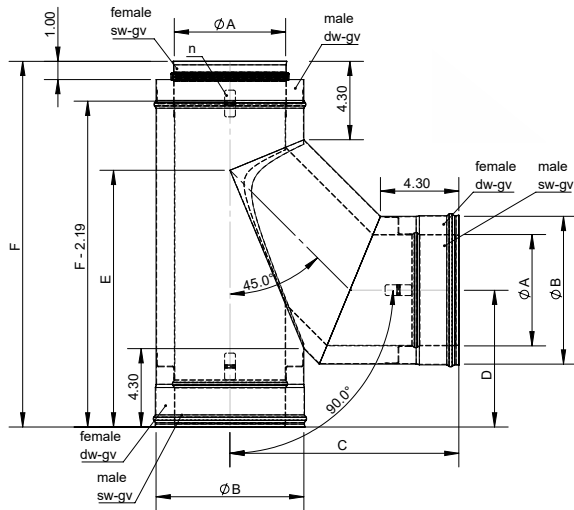
Ø	ØA	ØB	C	D	E	F	ØG	ØH
13	13	15.5						
14	14	16.5						
16	16	18.5						
18	18	20.5						
20	20	22.5	Customer Dimension	Customer Dimension	Customer Dimension	Customer Dimension	Customer Dimension	Customer Dimension
22	22	24.5	Customer Dimension	Customer Dimension	Customer Dimension	Customer Dimension	Customer Dimension	Customer Dimension
24	24	26.5	Customer Dimension	Customer Dimension	Customer Dimension	Customer Dimension	Customer Dimension	Customer Dimension
26	26	28.5	Customer Dimension	Customer Dimension	Customer Dimension	Customer Dimension	Customer Dimension	Customer Dimension
28	28	30.5	Customer Dimension	Customer Dimension	Customer Dimension	Customer Dimension	Customer Dimension	Customer Dimension
30	30	32.5	Customer Dimension	Customer Dimension	Customer Dimension	Customer Dimension	Customer Dimension	Customer Dimension
32	32	34.5	Customer Dimension	Customer Dimension	Customer Dimension	Customer Dimension	Customer Dimension	Customer Dimension
34	34	36.5	Customer Dimension	Customer Dimension	Customer Dimension	Customer Dimension	Customer Dimension	Customer Dimension
36	36	38.5	Customer Dimension	Customer Dimension	Customer Dimension	Customer Dimension	Customer Dimension	Customer Dimension

* - Installed length is determined by diameter G. Includes Locking Band with gear Clamp

TEES

90° Boot Tee / DWGVØ-90BT

Ø3"-Ø12"

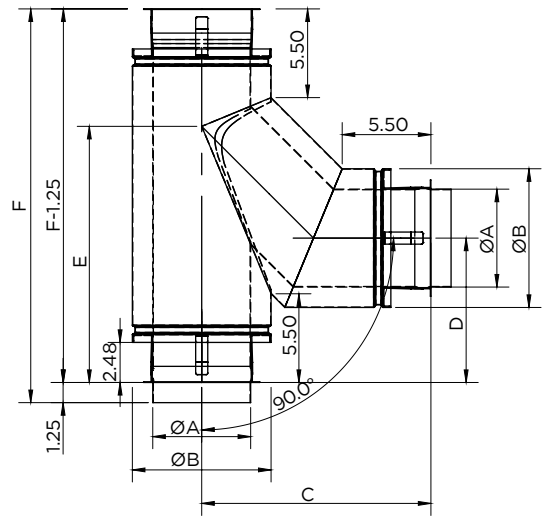


Ø	ØA	ØB	C	D	E	F
3	3	5	9.78	5.67	10.46	15.82
4	4	6	10.69	6.15	11.67	17.23
5	5	7	11.60	6.63	12.87	18.64
6	6	8	12.51	7.11	14.08	20.06
7	7	9	13.42	7.59	15.26	21.47
8	8	10	14.33	8.07	16.49	22.89
9	9	11	15.24	8.55	17.70	24.30
10	10	12	16.15	9.03	18.91	25.72
12	12	14	17.97	9.98	21.32	28.54

* - Installed lengths. Includes Locking Band with gear Clamp.

90° Boot Tee / DWGVØ-90BT

Ø13"-Ø36"



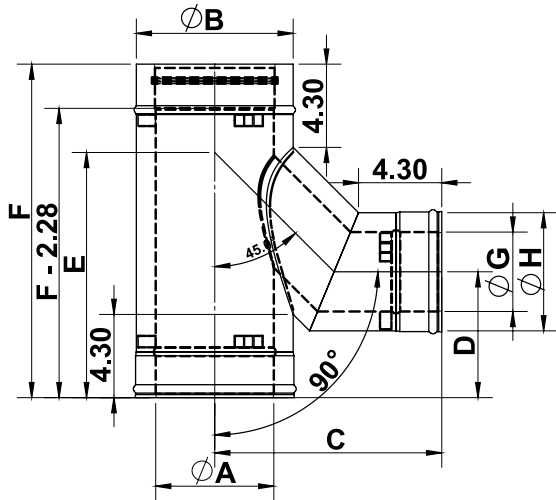
Ø	ØA	ØB	C	D	E	F
13	13	15.5	20.59	12.44	24.3	34.28
14	14	16.5	21.5	12.94	25.51	35.69
16	16	18.5	23.33	13.94	27.92	38.52
18	18	20.5	25.16	14.94	30.34	41.35
20	20	22.5	26.99	15.94	32.75	44.18
22	22	24.5	28.81	16.94	35.16	47
24	24	26.5	30.64	17.94	37.58	49.83
26	26	28.5	32.47	18.94	39.99	52.66
28	28	30.5	34.3	19.94	42.41	55.49
30	30	32.5	36.13	20.94	44.82	58.32
32	32	34.5	37.96	21.94	47.24	61.15
34	34	36.5	39.79	22.94	49.65	64.97
36	36	38.5	41.61	23.94	52.06	66.8

* - Installed lengths. Includes Locking Band with gear Clamp.

TEES

90° Boot Reduction Tee / DWGVØ-90BTØ

Ø3"-Ø12"

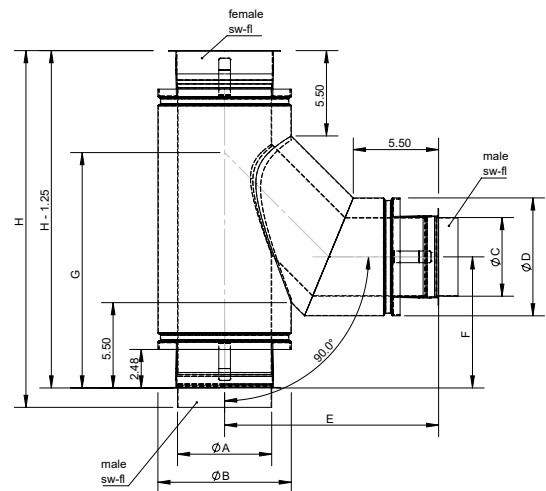


Ø	ØA	ØB	C	D	E	F	ØG	ØH
3	3	5	Customer Dimension	Customer Dimension	Customer Dimension	Customer Dimension	Customer Dimension	Customer Dimension
4	4	6	Customer Dimension	Customer Dimension	Customer Dimension	Customer Dimension	Customer Dimension	Customer Dimension
5	5	7	Customer Dimension	Customer Dimension	Customer Dimension	Customer Dimension	Customer Dimension	Customer Dimension
6	6	8	Customer Dimension	Customer Dimension	Customer Dimension	Customer Dimension	Customer Dimension	Customer Dimension
7	7	9	Customer Dimension	Customer Dimension	Customer Dimension	Customer Dimension	Customer Dimension	Customer Dimension
8	8	10	Customer Dimension	Customer Dimension	Customer Dimension	Customer Dimension	Customer Dimension	Customer Dimension
9	9	11	Customer Dimension	Customer Dimension	Customer Dimension	Customer Dimension	Customer Dimension	Customer Dimension
10	10	12	Customer Dimension	Customer Dimension	Customer Dimension	Customer Dimension	Customer Dimension	Customer Dimension
12	12	14	Customer Dimension	Customer Dimension	Customer Dimension	Customer Dimension	Customer Dimension	Customer Dimension

* - Installed length is determined by diameter G. Includes Locking Band with gear Clamp

90° Boot Reduction Tee / DWGVØ-90BTØ

Ø13"-Ø36"



Ø	ØA	ØB	C	D	E	F	ØG	ØH
13	13	15.5	Customer Dimension	Customer Dimension	Customer Dimension	Customer Dimension	Customer Dimension	Customer Dimension
14	14	16.5	Customer Dimension	Customer Dimension	Customer Dimension	Customer Dimension	Customer Dimension	Customer Dimension
16	16	18.5	Customer Dimension	Customer Dimension	Customer Dimension	Customer Dimension	Customer Dimension	Customer Dimension
18	18	20.5	Customer Dimension	Customer Dimension	Customer Dimension	Customer Dimension	Customer Dimension	Customer Dimension
20	20	22.5	Customer Dimension	Customer Dimension	Customer Dimension	Customer Dimension	Customer Dimension	Customer Dimension
22	22	24.5	Customer Dimension	Customer Dimension	Customer Dimension	Customer Dimension	Customer Dimension	Customer Dimension
24	24	26.5	Customer Dimension	Customer Dimension	Customer Dimension	Customer Dimension	Customer Dimension	Customer Dimension
26	26	28.5	Customer Dimension	Customer Dimension	Customer Dimension	Customer Dimension	Customer Dimension	Customer Dimension
28	28	30.5	Customer Dimension	Customer Dimension	Customer Dimension	Customer Dimension	Customer Dimension	Customer Dimension
30	30	32.5	Customer Dimension	Customer Dimension	Customer Dimension	Customer Dimension	Customer Dimension	Customer Dimension
32	32	34.5	Customer Dimension	Customer Dimension	Customer Dimension	Customer Dimension	Customer Dimension	Customer Dimension
34	34	36.5	Customer Dimension	Customer Dimension	Customer Dimension	Customer Dimension	Customer Dimension	Customer Dimension
36	36	38.5	Customer Dimension	Customer Dimension	Customer Dimension	Customer Dimension	Customer Dimension	Customer Dimension

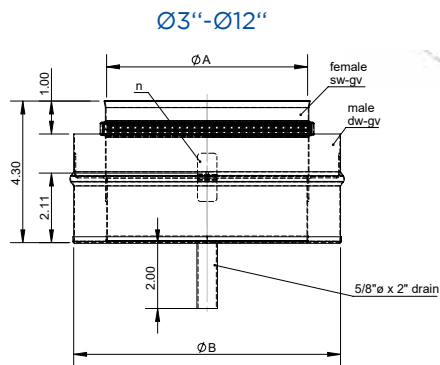
* - Installed length is determined by diameter G. Includes Locking Band with gear Clamp

TEE CAPS

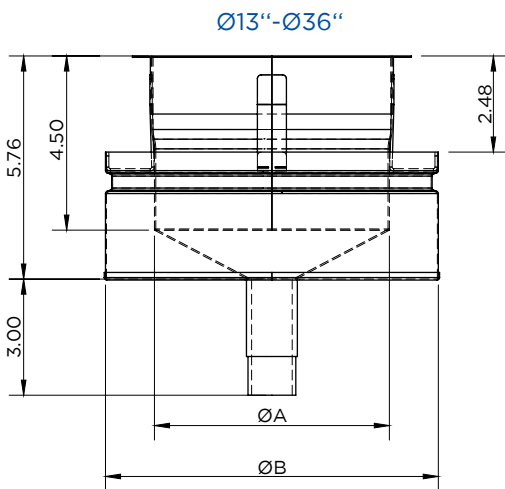
Drain Tee Cap - Bottom / DWGVØ-DCB

Ø3"-Ø12"

Ø13"-Ø36"



Ø	ØA	ØB
3	3	5
4	4	6
5	5	7
6	6	8
7	7	9
8	8	10
9	9	11
10	10	12
12	12	14
13	13	15.5
14	14	16.5
16	16	18.5
18	18	20.5
20	20	22.5
22	22	24.5
24	24	26.5
26	26	28.5
28	28	30.5
30	30	32.5
32	32	34.5
34	34	36.5
36	36	38.5

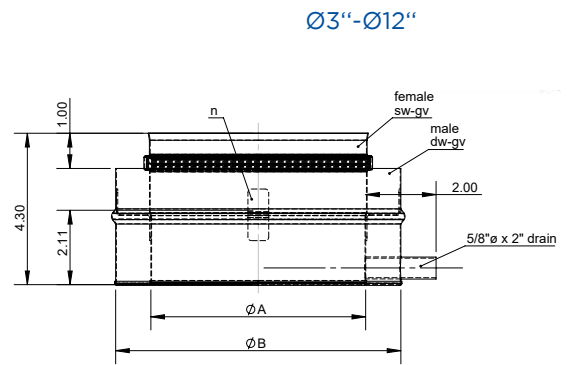


Includes Locking Band with gear Clamp

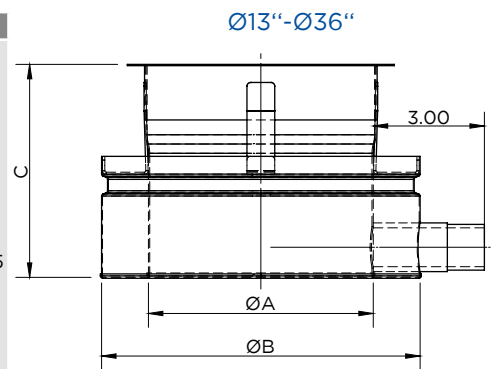
Drain Tee Cap - Side / DWGVØ-DCS

Ø3"-Ø12"

Ø13"-Ø36"



Ø	ØA	ØB	C
3	3	5	5.75
4	4	6	
5	5	7	
6	6	8	
7	7	9	
8	8	10	
9	9	11	
10	10	12	
12	12	14	
13	13	15.5	
14	14	16.5	
16	16	18.5	
18	18	20.5	
20	20	22.5	
22	22	24.5	
24	24	26.5	
26	26	28.5	
28	28	30.5	
30	30	32.5	
32	32	34.5	
34	34	36.5	
36	36	38.5	



Includes Locking Band with gear Clamp

TEE CAPS

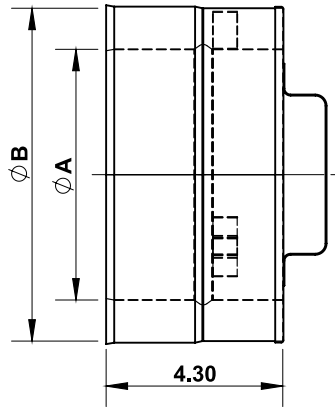
Tee Cap Access / DWGVØ-TCA

Ø3"-Ø12"

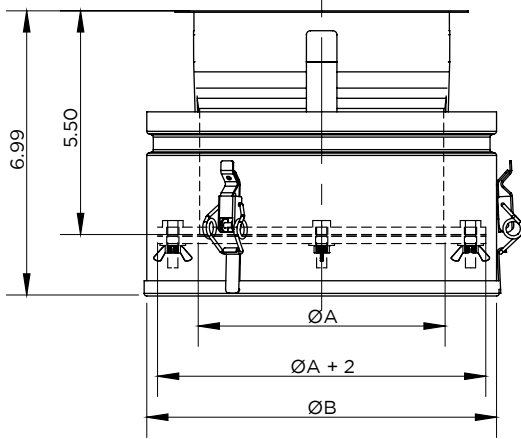
Ø13"-Ø36"



Ø3"-Ø12"



Ø13"-Ø36"



Ø	ØA	ØB
3	3	5
4	4	6
5	5	7
6	6	8
7	7	9
8	8	10
9	9	11
10	10	12
12	12	14
13	13	15.5
14	14	16.5
16	16	18.5
18	18	20.5
20	20	22.5
22	22	24.5
24	24	26.5
26	26	28.5
28	28	30.5
30	30	32.5
32	32	34.5
34	34	36.5
36	36	38.5

Includes Locking Band with gear Clamp

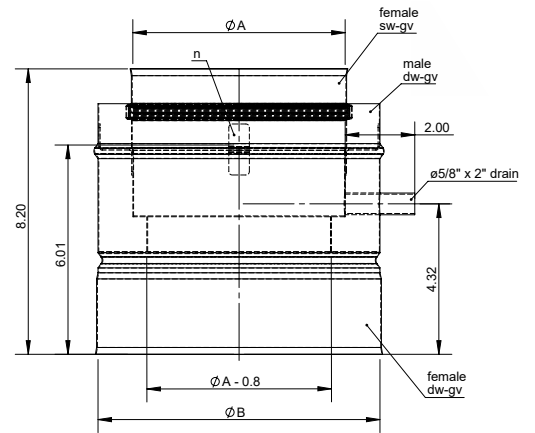
Drain Tee Cap for support / DWGVØ-DCSS

Ø3"-Ø12"

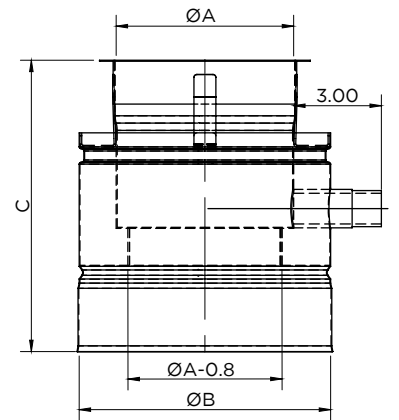
Ø13"-Ø24"



Ø3"-Ø12"



Ø13"-Ø36"



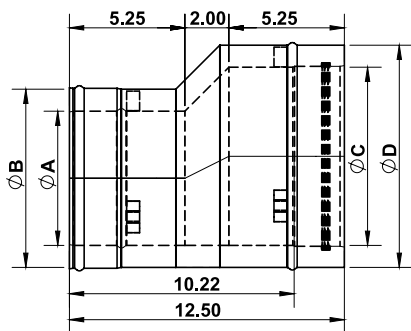
Ø	ØA	ØB	C
3	3	5	
4	4	6	
5	5	7	
6	6	8	
7	7	9	
8	8	10	
9	9	11	
10	10	12	
12	12	14	
13	13	15.5	9.96
14	14	16.5	9.96
16	16	18.5	9.96
18	18	20.5	9.96
20	20	22.5	9.96
22	22	24.5	9.96
24	24	26.5	9.96

Works with SBP. Includes Locking Band with gear Clamp.

INCREASERS

Tapered Eccentric Increaser / DWGVØ-TEIØ

Ø3"-Ø12"

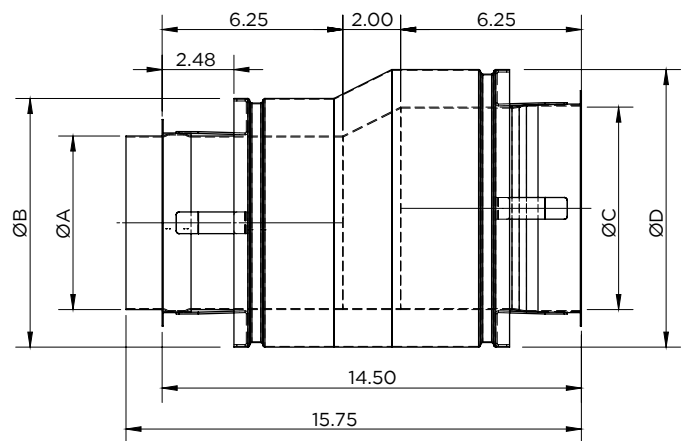


Ø	ØA	ØB	C	D
3	3	5	Customer Dimension	Customer Dimension
4	4	6		
5	5	7		
6	6	8		
7	7	9		
8	8	10		
9	9	11		
10	10	12		
12	12	14		

Includes Locking Band with gear Clamp

Tapered Eccentric Increaser / DWGVØ-TEIØ

Ø13"-Ø36"



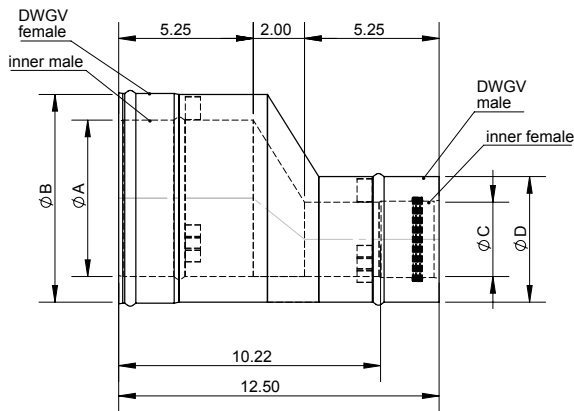
Ø	ØA	ØB	C	D
13	13	15.5	Customer Dimension	Customer Dimension
14	14	16.5		
16	16	18.5		
18	18	20.5		
20	20	22.5		
22	22	24.5		
24	24	26.5		
26	26	28.5		
28	28	30.5		
30	30	32.5		
32	32	34.5		
34	34	36.5		
36	36	38.5		

Includes Locking Band with gear Clamp

REDUCERS

Tapered Eccentric Reducer / DWGVØ-TERØ

Ø3"-Ø12"

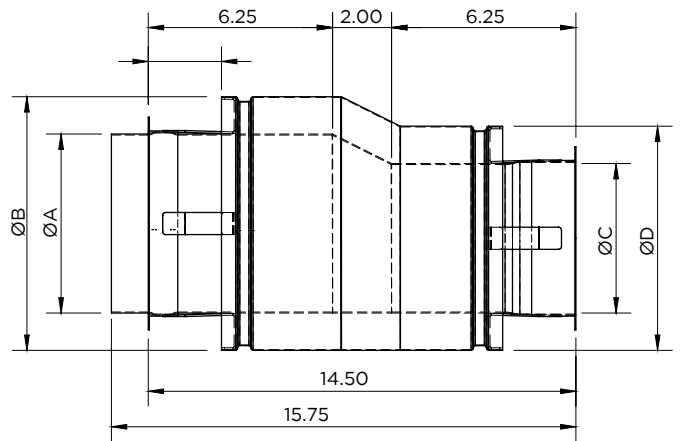


Ø	ØA	ØB	C	D
3	3	5	Customer Dimension	Customer Dimension
4	4	6		
5	5	7		
6	6	8		
7	7	9		
8	8	10		
9	9	11		
10	10	12		
12	12	14		

Includes Locking Band with gear Clamp

Tapered Eccentric Reducer / DWGVØ-TERØ

Ø13"-Ø36"

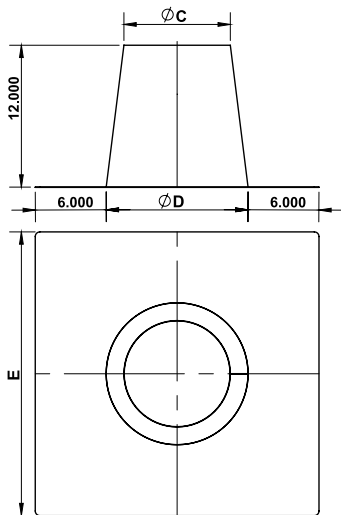


Ø	ØA	ØB	C	D
13	13	15.5	Customer Dimension	Customer Dimension
14	14	16.5		
16	16	18.5		
18	18	20.5		
20	20	22.5		
22	22	24.5		
24	24	26.5		
26	26	28.5		
28	28	30.5		
30	30	32.5		
32	32	34.5		
34	34	36.5		
36	36	38.5		

Includes Locking Band with gear Clamp

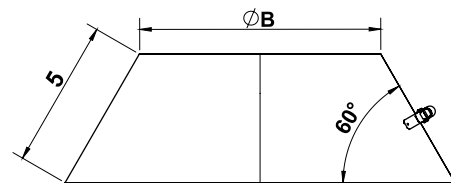
FLASHINGS

Flat Cone Flashing / DWGVØ-FCF



Ø	ØC	ØD	E
3	6	9	21
4	7	10	22
5	8	11	23
6	9	12	24
7	10	13	25
8	11	14	26
9	12	15	27
10	13	16	28
12	15	18	30
13	16.6	19.6	31.6
14	17.6	20.6	32.6
16	19.6	22.6	34.6
18	21.6	24.6	36.6
20	23.6	26.6	38.6
22	25.6	28.6	40.6
24	27.6	30.6	42.6
26	29.61	32.61	44.61
28	31.61	34.61	46.61
30	33.61	36.61	48.61
32	35.61	38.61	50.61
34	37.61	40.61	52.61
36	39.61	42.61	54.61

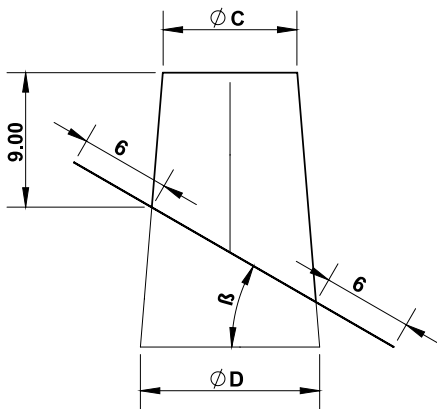
Storm Collar For Coned Flashings / DWGVØ-SCCF



Ø	ØB
3	5
4	6
5	7
6	8
7	9
8	10
9	11
10	12
12	14
13	15.5
14	16.5
16	18.5
18	20.5
20	22.5
22	24.5
24	26.5
26	28.5
28	30.5
30	32.5
32	34.5
34	36.5
36	38.5

FLASHINGS

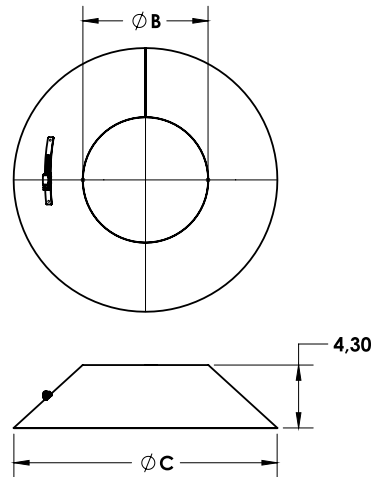
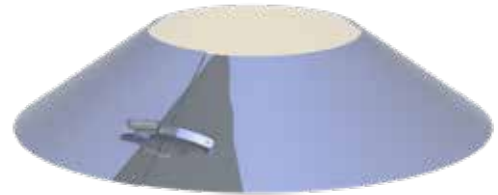
Pitched Cone Flashing / DWGVØ-PCF



Ø	ØC	ØD	β
3	6	9	
4	7	10	
5	8	11	
6	9	12	
7	10	13	
8	11	14	
9	12	15	
10	13	16	
12	15	18	
13	16	19	
14	17	20	
16	19	22	
18	21	24	
20	23	26	
22	25	28	
24	27	30	
26	29	32	
28	31	34	
30	33	36	
32	35	38	
34	37	40	
36	39	42	

Customer Dimension

Storm Collar / DWKLØ-SC

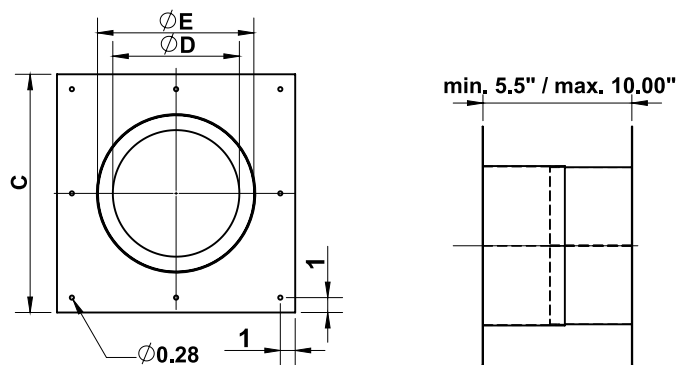
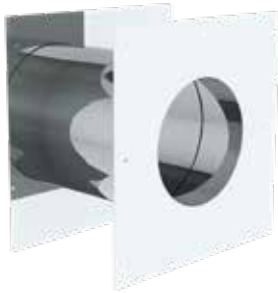


Ø	B	ØC
3	5.5	15.55
4	6.5	16.6
5	7.5	17.6
6	8.5	18.6
7	9.5	19.6
8	10.5	20.6
9	11.5	21.6
10	12.5	22.6
12	14.5	24.6
13	15.5	25.6
14	16.5	26.6
16	18.5	28.6
18	20.5	30.6
20	22.5	32.6
22	24.5	34.6
24	26.5	36.6
26	28.5	38.6
28	30.5	40.6
30	32.5	42.6
32	34.5	44.6
34	36.5	46.6
36	38.5	48.6

For wall penetrations

FLASHINGS / THIMBLES

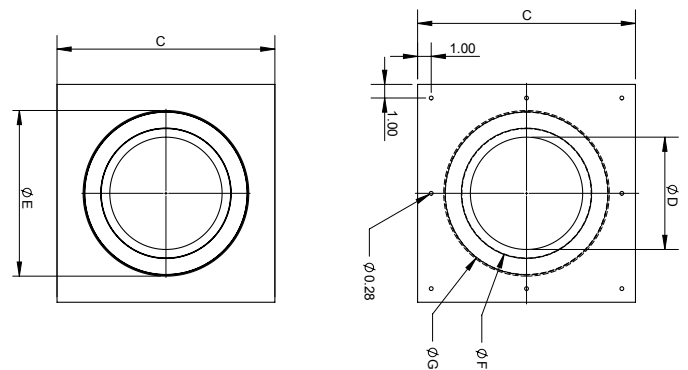
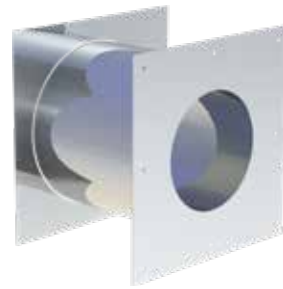
Square Wall Thimble / DWGVØ-SWT



Ø	C	ØD	ØE
3	13	5.50	7.50
4	14	6.50	8.50
5	15	7.50	9.50

Small diameter, Single-wall only

Square LT Thimble / DWGVØ-LTT



Ø	ØC	ØD	ØE	ØF	ØG
13					
14					
16					
18					
20					
22	Ø + 2 ³ / ₄ "				
24		Ø + 4"			
26			Ø + 6 ¹ / ₂ "		
28				Ø + 6 ² / ₃ "	
30					Ø + 10"
32					
34					
36					

LT: Low temp. 550°F or less for use at roof or wall

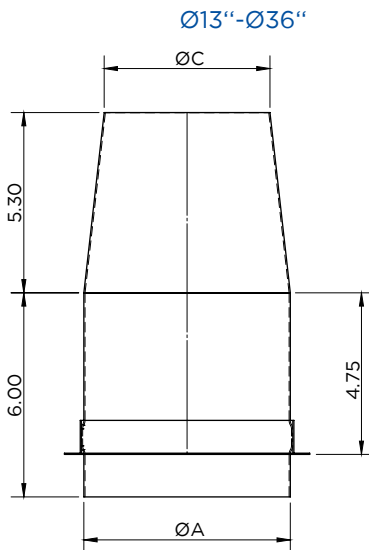
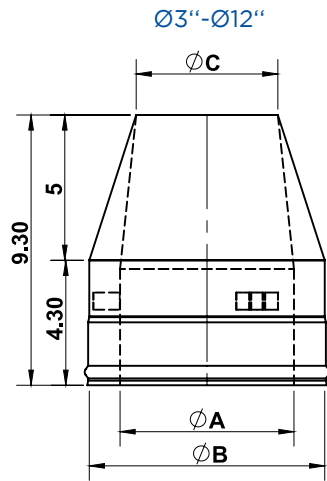
TERMINATIONS

Exit Cone / DWGVØ-EC

Ø3"-Ø12"



Ø13"-Ø36"



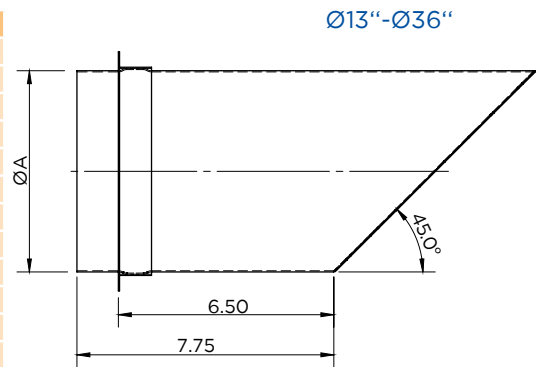
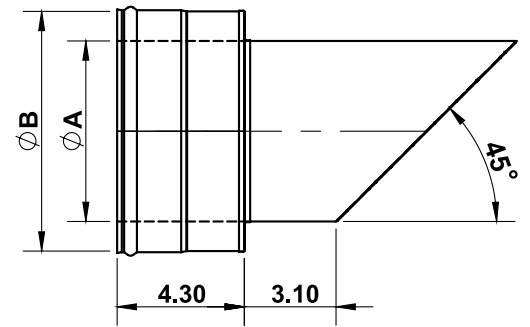
Ø	ØA	ØB	ØC
3	2.98	5	2.44
4	3.98	6	3.25
5	4.98	7	4.06
6	5.98	8	4.87
7	6.98	9	5.69
8	7.98	10	6.50
9	8.98	11	7.31
10	9.98	12	8.12
12	11.98	14	9.75
13	13	-	10.56
14	14	-	11.37
16	16	-	13
18	18	-	14.62
20	20	-	16.25
22	22	-	17.87
24	24	-	19.5
26	26	-	21.12
28	28	-	22.75
30	30	-	24.37
32	32	-	26
34	34	-	27.62
36	36	-	29.25

Miter Cut Termination / DWGVØ-MCS

Ø3"-Ø12"



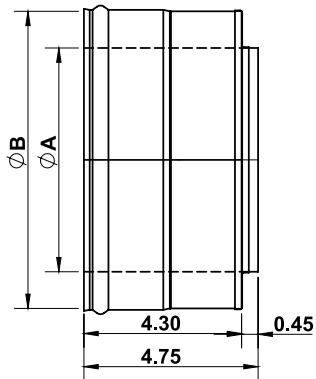
Ø13"-Ø36"



Ø	ØA	ØB
3	3	5
4	4	6
5	5	7
6	6	8
7	7	9
8	8	10
9	9	11
10	10	12
12	12	14
13	13	-
14	14	-
16	16	-
18	18	-
20	20	-
22	22	-
24	24	-
26	26	-
28	28	-
30	30	-
32	32	-
34	34	-
36	36	-

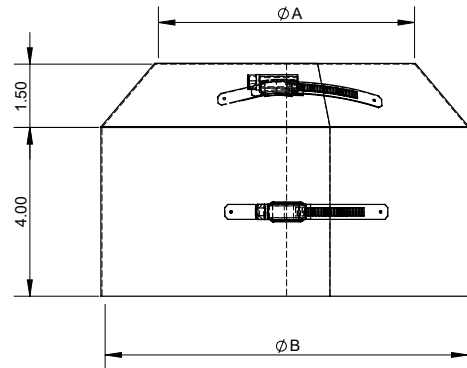
TERMINATIONS

Opened Termination / DWGVØ-OTN



Ø	ØA	ØB
3	3	5
4	4	6
5	5	7
6	6	8
7	7	9
8	8	10
9	9	11
10	10	12
12	12	14

Opened Termination / DWGVØ-FB



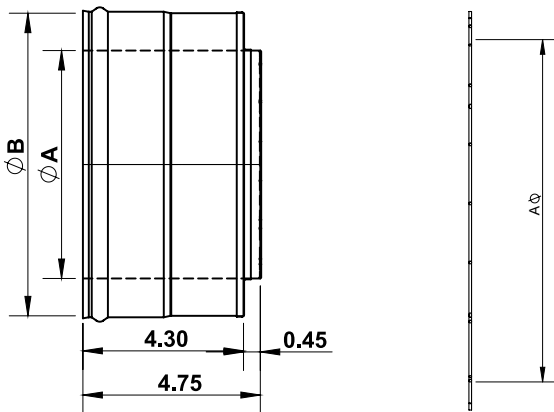
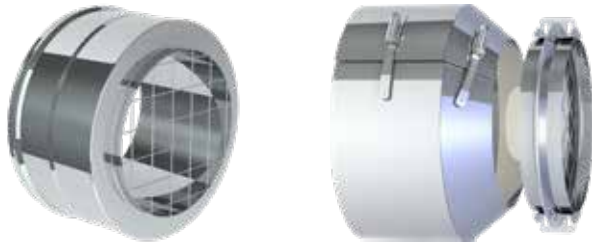
Ø	ØA	ØB
13	13	15.5
14	14	16.5
16	16	18.5
18	18	20.5
20	20	22.5
22	22	24.5
24	24	26.5
26	26	28.5
28	28	30.5
30	30	32.5
32	32	34.5
34	34	36.5
36	36	38.5

TERMINATIONS

Opened Termination with Screen / DWGVØ-OTS

Ø3"-Ø12"

Ø13"-Ø36"



Ø	ØA	ØB
3	3	5
4	4	6
5	5	7
6	6	8
7	7	9
8	8	10
9	9	11
10	10	12
12	12	14
13	13	-
14	14	-
16	16	-
18	18	-
20	20	-
22	22	-
24	24	-
26	26	-
28	28	-
30	30	-
32	32	-
34	34	-
36	36	-

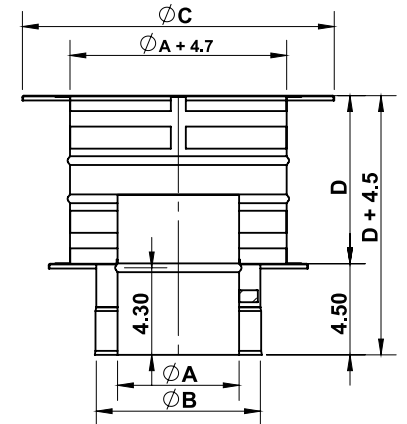
High Wind Rain Cap / DWGVØ-WRC

Ø3"-Ø12"

Ø13"-Ø36"

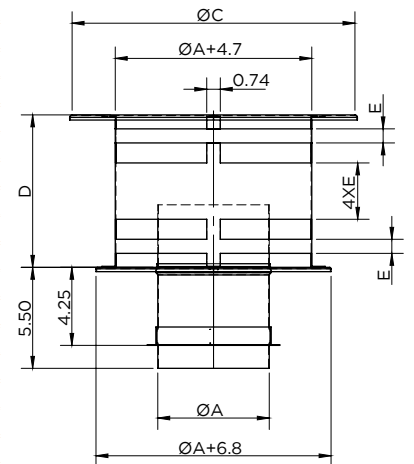


Ø3"-Ø12"



Ø	ØA	ØB	ØC	D
3	3	5	10.30	7.00
4	4	6	12.30	7.50
5	5	7	13.80	8.00
6	6	8	15.40	8.50
7	7	9	17.30	9.00
8	8	10	20.00	9.50
9	9	11	22.00	10.00
10	10	12	24.00	10.80
12	12	14	28.00	11.80
13	13	-	30	12
14	14	-	31.5	12.5
16	16	-	35	13
18	18	-	37	13.2
20	20	-	39	13.5
22	22	-	41	14
24	24	-	44	14.3
26	26	-	47	14.6
28	28	-	50	15
30	30	-	52	15.3
32	32	-	55	15.8
34	34	-	58	16.2
36	36	-	61	16.7

Ø13"-Ø36"

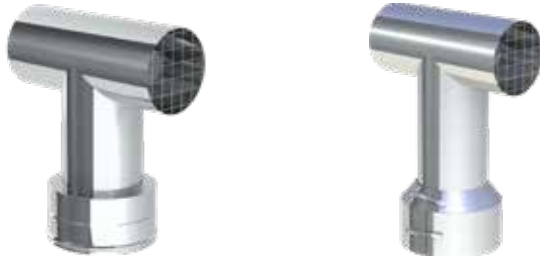


TERMINATIONS

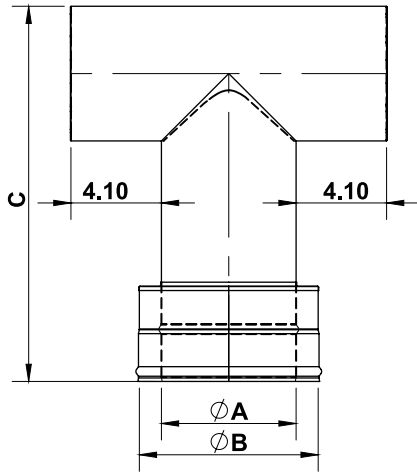
Tee Termination w/Screen / DWGVØ-90TT

Ø3"-Ø12"

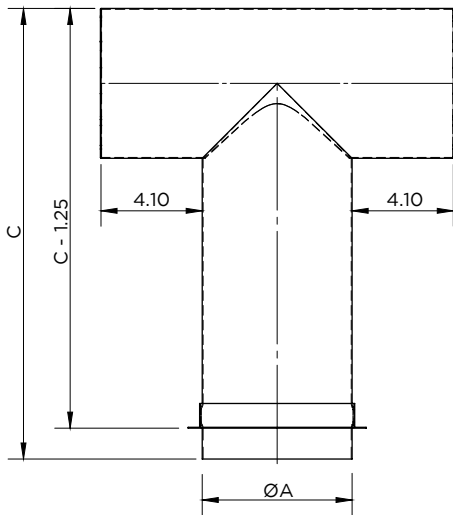
Ø13"-Ø36"



Ø3"-Ø12"



Ø13"-Ø36"



Ø	ØA	ØB	C
3	3	5	14
4	4	6	15
5	5	7	16
6	6	8	17
7	7	9	18
8	8	10	19
9	9	11	20
10	10	12	21
12	12	14	23
13	13	-	25.25
14	14	-	26.25
16	16	-	28.25
18	18	-	30.25
20	20	-	32.25
22	22	-	34.25
24	24	-	36.25
26	26	-	38.25
28	28	-	40.25
30	30	-	42.25
32	32	-	44.25
34	34	-	46.25
36	36	-	48.25

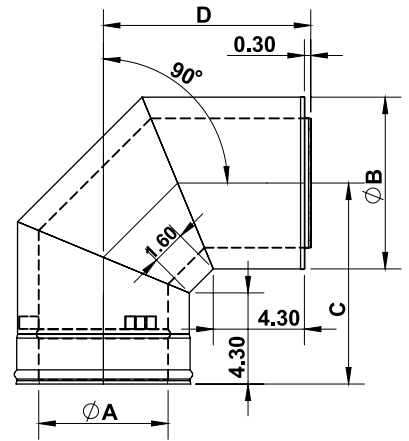
90° Elbow Termination with Screen / DWGVØ-90ET

Ø3"-Ø12"

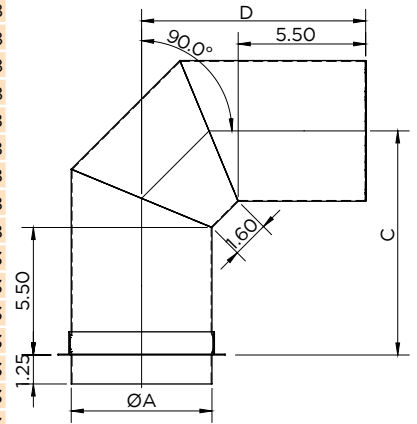
Ø13"-Ø36"



Ø3"-Ø12"



Ø13"-Ø36"



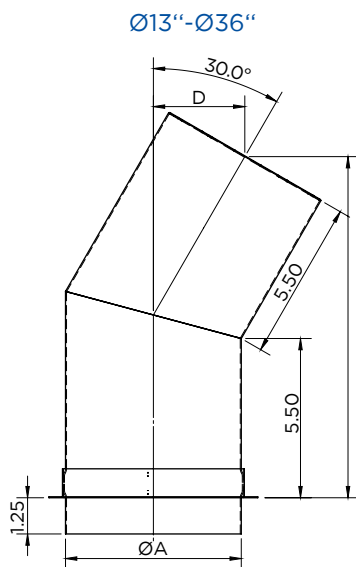
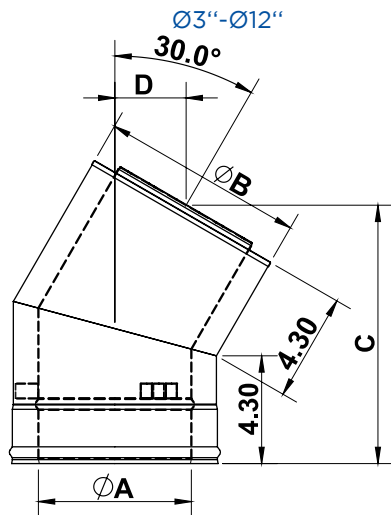
Ø	ØA	ØB	C	D
3	3	5	7.98	8.28
4	4	6	8.48	8.78
5	5	7	8.98	9.28
6	6	8	9.48	9.78
7	7	9	9.98	10.28
8	8	10	10.48	10.78
9	9	11	10.95	11.28
10	10	12	11.48	11.78
12	12	14	12.48	12.78
13	13	15.5	14.43	14.43
14	14	16.5	14.93	14.93
16	16	18.5	15.93	15.93
18	18	20.5	16.93	16.93
20	20	22.5	17.93	17.93
22	22	24.5	18.93	18.93
24	24	26.5	19.93	19.93
26	26	28.5	20.93	20.93
28	28	30.5	21.93	21.93
30	30	32.5	22.93	22.93
32	32	34.5	23.93	23.93
34	34	36.5	24.93	24.93
36	36	38.5	25.93	25.93

TERMINATIONS

30° Elbow Termination with Screen / DWGVØ-30ET

Ø3"-Ø12"

Ø13"-Ø36"



Ø	ØA	ØB	C	D
3	3	5	9.56	2.64
4	4	6	9.81	2.71
5	5	7	10.06	2.78
6	6	8	10.31	2.84
7	7	9	10.56	2.91
8	8	10	10.81	2.98
9	9	11	11.06	3.04
10	10	12	11.31	3.11
12	12	14	11.81	3.24
13	13	-	14.16	3.8
14	14	-	14.41	3.86
16	16	-	14.91	4
18	18	-	15.41	4.13
20	20	-	15.91	4.26
22	22	-	16.41	4.4
24	24	-	16.91	4.53
26	26	-	17.41	4.67
28	28	-	17.91	4.8
30	30	-	18.41	4.93
32	32	-	18.91	5.07
34	34	-	19.41	5.2
36	36	-	19.91	5.34

For all Single-wall parts:

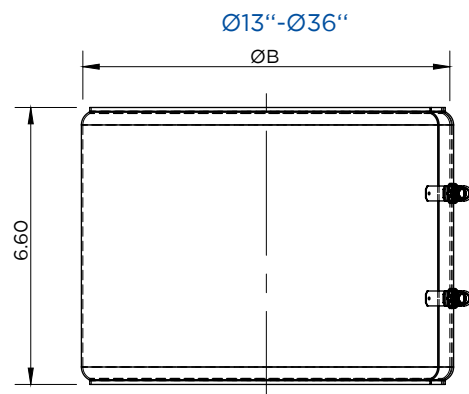
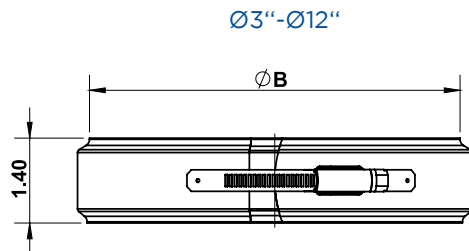
For Single-wall use Inner dimensions only. Our single wall is the inside of the double wall without an outer jacket (and air space or insulation) added to it.

ACCESSORIES

Locking Band / DWGVØ-LB

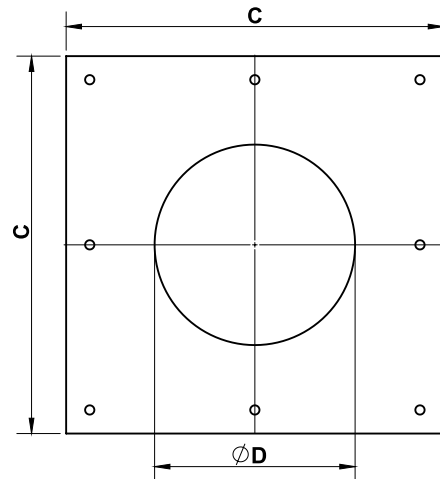
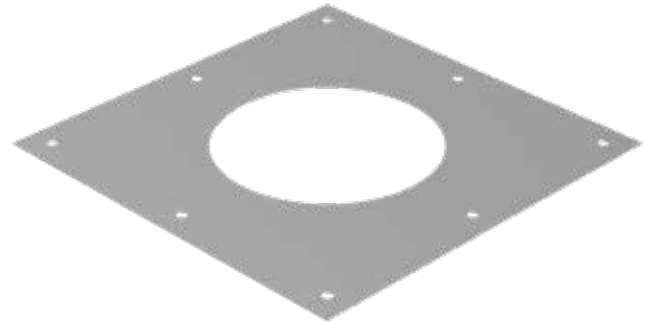
Ø3"-Ø12"

Ø13"-Ø36"



Ø	ØB
3	5
4	6
5	7
6	8
7	9
8	10
9	11
10	12
12	14
13	15.5
14	16.5
16	18.5
18	20.5
20	22.5
22	24.5
24	26.5
26	28.5
28	30.5
30	32.5
32	34.5
34	36.5
36	38.5

Firestop plate for GOV / DWGVØ-FS



Ø	C	ØD
3	13	5.50
4	14	6.50
5	15	7.50
6	16	8.50
7	17	9.50
8	18	10.50
9	19	11.50
10	20	12.50
12	22	14.50
13	23	16.1
14	24	17.1
16	26	19.1
18	28	21.1
20	30	23.1
22	32	25.1
24	34	27.1
26	36	29.11
28	38	31.11
30	40	33.11
32	42	35.11
34	44	37.11
36	46	39.11

ACCESSORIES

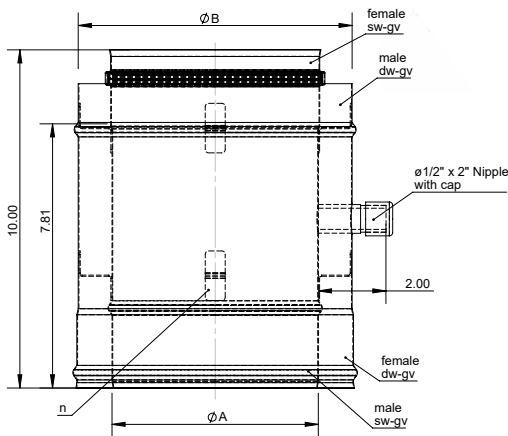
Test and Nozzle Port Length/ DWGVØ-TPL

Ø3"-Ø12"

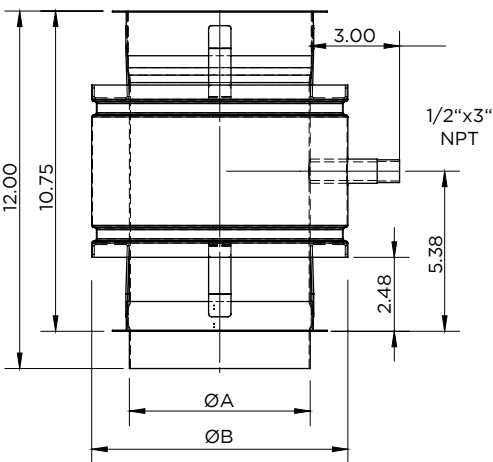
Ø13"-Ø36"



Ø3"-Ø12"



Ø13"-Ø36"



Ø	ØA	ØB
3	3	5
4	4	6
5	5	7
6	6	8
7	7	9
8	8	10
9	9	11
10	10	12
12	12	14
13	13	15.5
14	14	16.5
16	16	18.5
18	18	20.5
20	20	22.5
22	22	24.5
24	24	26.5
26	26	28.5
28	28	30.5
30	30	32.5
32	32	34.5
34	34	36.5
36	36	38.5

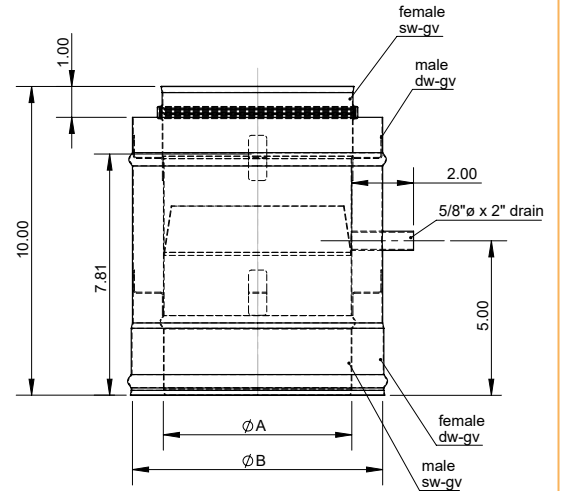
Universal Drain Length / DWGVØ-UDL

Ø3"-Ø12"

Ø13"-Ø36"

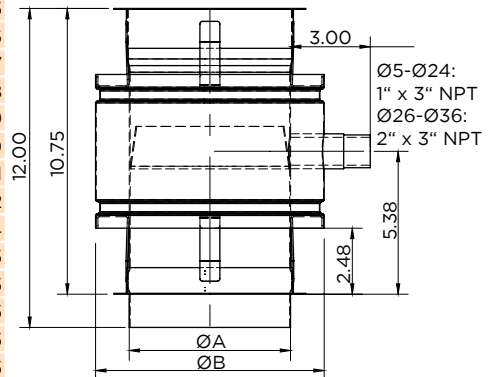


Ø3"-Ø12"



Ø13"-Ø36"

Ø	ØA	ØB
3	3	5
4	4	6
5	5	7
6	6	8
7	7	9
8	8	10
9	9	11
10	10	12
12	12	14
13	13	15.5
14	14	16.5
16	16	18.5
18	18	20.5
20	20	22.5
22	22	24.5
24	24	26.5
26	26	28.5
28	28	30.5
30	30	32.5
32	32	34.5
34	34	36.5
36	36	38.5



Includes Locking Band with gear Clamp

PRODUCTION SITES

USA

Jeremias Inc.
983 Industrial Park Drive
Marietta, GA 30062, USA
phone: +1 678 388 2740
e-mail: info@jeremiasinc.com
www.jeremiasinc.com

GERMANY

www.jeremias.de

POLAND

www.jeremias.pl

SPAIN

www.jeremias.com.es

RUSSIA

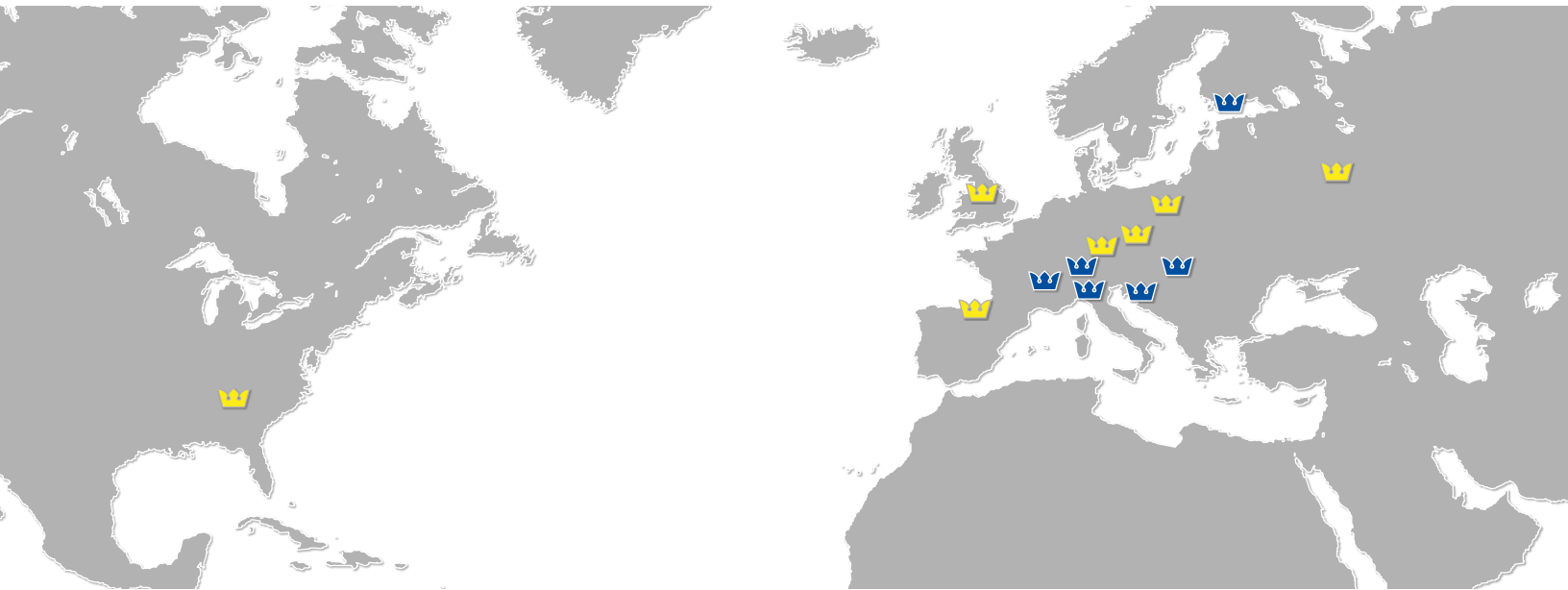
www.jeremias.ru

CZECH REPUBLIC

www.jeremias.cz

UNITED KINGDOM

www.jeremias.uk



SALES OFFICES

FRANCE

www.jeremias-france.fr

HUNGARY

www.jeremias.hu

CROATIA

www.jeremias.hr

FINLAND

www.jeremias.fi

SWITZERLAND

www.jeremias-schweiz.ch

ITALY

www.jeremias.it

JEREMIAS IS REPRESENTED IN THE FOLLOWING COUNTRIES:

Austria | Belarus | Belgium | Bulgaria | Brazil | Denmark | Estonia | Hong Kong | Ireland | Kazakhstan | Latvia | Lithuania | Luxembourg | Malta | Netherlands | Norway | Portugal | Romania | Saudi Arabia | Serbia | Singapore | Slovakia | Slovenia | South Africa | Sweden | Tunisia | UAE | Ukraine

The expert in your area:

Jeremias high quality products to be installed only by selected experts.