

DWFL & SWFL

Double & Single Wall Flanged Joining Pipe & Fittings

Ø6" - Ø36"

www.jeremiasinc.com



JEREMIAS CONTENTS



DWFL& SWFL Double & Single Wall Joining Pipe & Fittings

Introduction	3 - 4
Technical specifications	5 - 8
DWFL Products	9 - 55
Adapters	9
Supports	11
Straight lengths	16
Adjustable lengths	20
Elbows	21
Tees	24
Increasesers / Reducers	32
Tee caps	33
Flashings	35
Terminations	40
Accessories	47

An offset calculator for all Jeremias products can be found on the Jeremias website under Downloads/Product data sheets and catalogs

JEREMIAS EXHAUST SYSTEMS

Models DWFL and SWFL are the fusion of world class DWKL (conical) with USA flanged pressure stack systems. Insulation options are 1.25" of air space, and fiber insulation options of 1.25", 2.25", 3.25", and 4.25". Each may be intermixed in the same stack, chimney, grease duct or vent system.

Models DWFL and SWFL are intended for use in connecting heating and hot water appliances, engines, and turbines to the outdoors. There are also many other applications and uses including, but not limited to the following: Chimney Liners, Chutes, Dryer Vents, Fume Venting, Industrial Oven and Process Stacks, Incinerator Exhausts, Paint Booth Exhausts, Particle Conveying, and Ventilation Ducts.



STRONG – OPEN – INTERNATIONAL

40 Years of Experience

Jeremias is one of the world's leading manufacturers of flue and chimney systems for the exhaust of gases and ventilation, covering all kinds of domestic, commercial and industrial applications. Jeremias Group product range includes over fifty (50) different CE or UL certified systems covering commercial and domestic applications complimented by freestanding Industrial steel chimneys up to 10 feet in diameter. Jeremias offers its clients a wide range of high quality products, technical support for projects, and stack sizing software.

With over 40 years of experience in the venting and component exhaust industries, Jeremias has seven (7) manufacturing plants in six (6) different countries worldwide. Jeremias today has more than 1,000 employees and is proud of its German engineering origins, and is now also manufactured in the USA from 100% local materials!

JEREMIAS EXHAUST SYSTEMS

Research and Development

Jeremias has over fifty (50) CE Certified exhaust and chimney systems worldwide for domestic, commercial, and industrial applications. "CE Certification" is the mandatory conformity safety testing for products sold throughout Europe and other parts of the world. In North America, Jeremias employs only Underwriters' Laboratories (UL) for testing, certifications, and listings to all applicable UL and ULC Standards.

Opened in 2013, the Jeremias R&D Lab in Logan, OH has the industry's most experienced lab technicians on staff and incorporates the latest equipment and technologies. This laboratory enables Jeremias to provide industry leadership with a continued focus on new factory-built exhaust applications and unique listings. Jeremias is constantly bringing new innovations to the marketplace and our Logan laboratory enables us to accomplish these changes quickly and effectively.

All Stainless Steel Construction

Jeremias incorporates the finest stainless steel grades required by each individual application for our inner liners. These steels are carefully chosen according to the specific needs for each UL Listing. These steels incorporate various advantages over others including resistance to corrosion, heat expansion, forming, welding, and lower work hardening, among other factors. The standard model Jeremias outer jacket is also constructed of high grade stainless steel with a bright annealed (BA) finish, giving our projects a very distinctive appearance. All Jeremias accessories (including support plates and angle rings) are also made of stainless steel. This means that there is no rusting of materials in any outdoor applications, and no cross contamination in the factory from carbon steel cutting or welding. Jeremias cleans all external welds to assure the customer clearly sees the quality standard that we are setting. Jeremias backs our exhaust systems with a Twenty-Five (25) Year Standard Warranty.

Best Insulation

Jeremias uses the most advanced ceramic fiber blanket materials. Our industry leading ceramic fiber has improved handling strength, enhanced thermal performance, and improved handling properties. Large nuisance dust particles have been effectively eliminated making the product soft to the touch and less irritating during use. Our insulation contains neither binder nor lubricant and does not emit any fumes or smells during the first high temperature firing.

Jeremias uses ¼" thicker insulation than all others in the industry. This delivers the best clearances and skin temperatures than all others. The ½" larger footprint is easily compensated for best clearance to combustibles, Jeremias Model DWFL clearly is the industry leader in the smallest required footprint.

Easiest Install, Yet most Reliable Flanged System

Models DWFL and SWFL are cylindrical, factory-built, modular venting systems that incorporate a 1.25" steel overlap with added vee band for easiest assembly.

DWFL and SWFL are the only flanged pressure stack systems with a continuous overlapping inner, as the flange is added to the outside of the inner liner. This is important, because the male end extends completely through and past the actual joint into the female end. On the inside, the joint is smooth and anything liquid flows downhill past the joint with no interference. This male extension protects the joint and provides a stable connection which holds the two pipe ends together so that the flanges can be connected and sealed on the outside of the inner liner without slipping apart during assembly. Once assembled, a strong, liquid-tight seal is completed and protected by 1.25 inches of steel overlap from damage like corrosion from condensate, grease, pressure, or cleaning fluids.

DWFL and SWFL are the most rugged and easiest stack systems to install, yet still the most reliable as the inner overlap protects the silicone seal against condensate and high-pressure washings in commercial kitchen exhaust.

TECHNICAL SPECIFICATIONS

Underwriters Laboratories Listings

UL File Number for All Listings: MH59917

United States:

DWFL

1. UL 103 Standard, Building Heating Appliance Chimney
2. UL 2561 Standard, 1400F Chimney Listing
3. UL 103 & UL 2561 Standards, Additional Positive Pressure Listing to 90" WC after 1400°F
4. UL 1978 Standard, Grease Duct
5. UL 1738 Standard, Venting Systems for Gas-Burning Appliances, Categories II, III and IV
6. UL 441 Standard, Gas Vents
7. UL 641 Standard, Type L Low-Temperature Vent

DWFL+1, DWFL+2, DWFL+3 & DWFL+4

1. UL 103 Standard, Building Heating Appliance Chimney
2. UL 103 Standard, Additional Type HT Listing
3. UL 2561 Standard, 1400F Chimney Listing
4. UL 103 & UL 2561 Standards, Additional Positive Pressure Listing to 90" WC after 1400°F
5. UL 1978 Standard, Grease Duct
6. UL 1738 Standard, Venting Systems for Gas-Burning Appliances, Categories II, III and IV
7. UL 441 Standard, Gas Vents
8. UL 641 Standard, Type L Low-Temperature Vent

DWFL-ZC

1. UL 103 Standard, Building Heating Appliance Chimney
2. UL 103 Standard, Additional Type HT Listing
3. UL 2561 Standard, 1400F Chimney Listing
4. UL 103 & UL 2561 Standards, Additional Positive Pressure Listing to 90" WC after 1400°F
5. UL 1978 Standard, Grease Duct
6. UL 1738 Standard, Venting Systems for Gas-Burning Appliances, Categories II, III and IV
7. UL 441 Standard, Gas Vents
8. UL 641 Standard, Type L Low-Temperature Vent
9. UL 2221 Standard, Fire Resistive Grease Duct Enclosure Assembly.

SWFL Single Wall

1. UL 103 Standard, Building Heating Appliance Chimney
2. UL 103 Standard, Additional Positive Pressure Listing to 90" WC
3. UL 1978 Standard, Grease Duct
4. UL 1738 Standard, Venting Systems for Gas-Burning Appliances, Categories II, III and IV
5. UL 1777 Standard, Chimney Liners

Canada:

DWFL, DWFL+1, DWFL+2, DWFL+3 & DWFL+4

1. ULC/ORD-C959 Industrial Type 540°C Chimney
2. ULC/ORD-C959 Industrial Type 760°C Chimney
3. ULC S662 Standard for Factory-Built Grease Ducts

4. ULC S636 Standard for Type BH Gas Venting Systems
5. ULC S605 Standard for Gas Vents
6. ULC S609 Standard for Low-Temperature Vents Type L

SWFL Single Wall

1. ULC S662 Standard for Factory-Built Grease Ducts
2. ULC S636 Standard for Type BH Gas Venting Systems
3. ULC S635 Standard for Lining Systems for Chimneys



Operating Pressures

All Jeremias Inc. DWFL & SWFL models have been evaluated and Listed by UL for positive pressures up to 90" W.C. internal static pressure with exposure up to 1400°F internal continuous temperatures.

TECHNICAL SPECIFICATIONS

Model and Part Identifications



SWFL
Single Wall Flanged Connection

DWFL
Double Wall Flanged Connection With 1.25" Air Space

DWFL+1
Double Wall Flanged Connection With 1.25" Insulation 8 PCF Ceramic Fiber

DWFL+2
Double Wall Flanged Connection With 2.25" Insulation 8 PCF Ceramic Fiber

DWFL+3
Double Wall Flanged Connection With 3.25" Insulation 8 PCF Ceramic Fiber

DWFL-ZC
Double Wall Flanged Connection With 3.25" Insulation 10 PCF Ceramic Fiber

DWFL+4
Double Wall Flanged Connection With 4.25" Insulation 8 PCF Ceramic Fiber

Part numbers include the Model, diameter, item code, then variation (if any).

- > Example 1: DWFL8-36L for an 8 inch inner diameter Model DWFL double wall 36 inch length of pipe with 1.25" insulating air space.
- > Example 2: DWFL20-45EL+4 for a 20 inch inner diameter Model DWFL double wall 45° Elbow with 4.25" thick insulation.
- > Example 3: SWFL36-48L for a 36 inch inner diameter Model SWFL single wall 48" Length.

Material Options and Thicknesses

Inner Liner of DWFL & SWFL:

- > 0.035" thick Type 444 stainless steel

Insulation of DWFL:

- > 1.25" air space

Insulation of DWFL+1:

- > 1.25" blanket 8 PCF ceramic fiber

Insulation of DWFL+2:

- > 2.25" blanket 8 PCF ceramic fiber

Insulation of DWFL+3:

- > 3.25" blanket 8 PCF ceramic fiber

Insulation of DWFL-ZC:

- > 3.25" of 10 PCF ceramic fiber

Insulation of DWFL+4:

- > 4.25" blanket 8 PCF ceramic fiber

Outer Jacket for all variations of DWFL:

- > 0.025" thick Type 304 stainless steel with BA Finish for diameters 5" through 24"
- > 0.035" thick Type 304 stainless steel with BA Finish for diameters 26" through 36"

TECHNICAL SPECIFICATIONS

Code and Standards

When installed per their instructions, all Jeremias Inc. DWFL & SWFL models are code compliant with the following codes and standards:

- > NFPA 31 > NFPA 96 > ULC S650 > IMC
- > NFPA 37 > NFPA 211 > CSA B139 > IFGC
- > NFPA 54 > UMC > CSA B149 > CMC

The following agencies or associations produce codes, standards, or guidelines by which all Jeremias Inc. Models may be installed and used:

- > ASHRAE (American Society of Heating, Refrigerating and Air Conditioning Engineers)
- > CSA (Canadian Standards Association)
- > IAPMO (International Association of Plumbing and Mechanical Officials)
- > ICC (International Code Congress)
- > NFPA (National Fire Protection Association)
- > UL (Underwriters Laboratories, Inc.)
- > ULC (Underwriters' Laboratories of Canada)

Operating Temperatures

CRITERIA	PERMITTED TEMPERATURES
UL 103 Building Heating Appliance Chimney ULC/ORD-C959 Industrial Type 540°C Chimney	1000°F (540°C) Continuous 1400°F (760°C) Intermittent
Additional UL 103 Type HT	2100°F (1150°C) for 10 Minutes
UL 2561 1400°F Chimney ULC/ORD-C959 Industrial Type 760°C Chimney	1400°F (760°C) Continuous 1800°F (980°C) Intermittent
UL 1978 Grease Duct ULC S662 Standard for Factory-Built Grease Ducts	500°F (260°C) Continuous 2000°F (1093°C) for 30 Minutes
UL 1738 Special Gas Vent ULC S636 Gas Vent	550°F (288°C) Continuous
Optional 400°F UL 1738 Special Gas Vent	400°F (204°C) Continuous
Optional Plastic Applications UL 1738 Special Gas Vent	148°F (64°C) Continuous for PVC 194°F (90°C) Continuous for CPVC 248°F (120°C) Continuous for PP
UL 441 Gas Vents, ULC S605 Gas Vents	480°F (249°C) Continuous
UL 641 Type L Vent ULC S609 Vents Type L	570°F (300°C) Continuous
UL 1777 Chimney Liner ULC S635 Lining Systems for Existing Chimneys	UL 1777: 570°F Continuous ULC S635: 650°C Continuous
UL 2221 Fire Resistive Grease Duct Enclosure Assembly	500°F (260°C) Continuous 2000°F (1093°C) for 30 Minutes

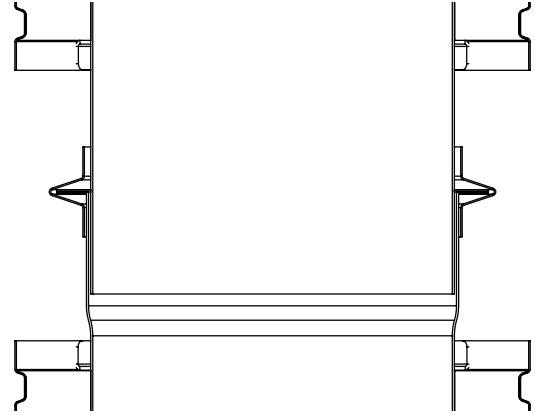
Joint Detail

All Jeremias Inc. DWFL & SWFL models are cylindrical, factory-built, modular venting systems that incorporate an extended inner that self-aligns and a 1/2" flange / vee band system for quick and easy assembly in the field. A Jeremias supplied high temperature sealant is applied to the vee

band groove to create a seal. This vee band is protected by the above mentioned inner extension.

Outer Locking Band is secured with integrated worm gear, so no loose hardware to install in the field.

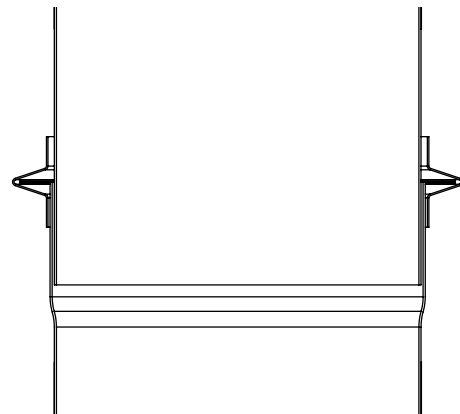
Models DWFL & DWFL + Joint Assembly Detail



Further features of the Jeremias double wall insulated systems include:

- a) Reduced clearance to combustibles
- b) Reduced outer pipe skin temperatures
- c) Reduced building heat gain
- d) Increased efficiencies of energy recovery systems
- e) Reduced noise levels caused by high velocity exhausts
- f) Enhanced chimney draft

Model SWFL Joint Assembly Detail



Further features of Jeremias single wall systems include:

- a) No field welding
- b) All stainless steel construction
- c) Smooth flowing inner liner compared to welded steel
- d) Wide array of accessories such as supports and drains
- e) May be interconnected with the double wall models

Sizing/Pressure Calculations

Jeremias' engineering uses its own software based upon the "Chimney, Gas Vent, and Fireplace Systems" chapter of the ASHRAE Handbook to assure that the exhaust and chimney system is sized in accordance with the appliance manufacturers' installation instructions.

TECHNICAL SPECIFICATIONS

Pipe Weight per Foot

The approximate installed weight of the DWFL and SWFL exhaust systems can be found using this table. This table does not include accessories such as supports and guides, nor shipping packaging or palletizing weight.

Pipe Weight in Lbs. per Foot:

Jeremias can also provide submittals that show all required accessories, including drains, supports etc., to be in accordance with any specific appliance manufacturers' installation instructions.

Ø	SWFL	DWFL	DWFL+1	DWFL+2	DWFL+3	DWFL-ZC	DWFL+4
6"	2.5	5.7	7.6	9.6	12.2	15.0	15.2
7"	2.9	6.5	8.6	10.7	13.6	16.7	16.7
8"	3.4	7.2	9.7	11.9	14.9	18.3	18.2
9"	3.8	8.0	10.7	13.1	16.3	20.0	19.8
10"	4.2	8.8	11.8	14.3	17.6	21.6	21.3
11"	4.6	9.6	12.8	15.4	19.0	23.3	22.8
12"	5.0	10.4	13.8	16.6	20.3	25.0	24.3
13"	5.4	11.2	14.9	17.8	21.7	26.6	25.9
14"	5.8	12.0	15.9	19.0	23.0	28.3	27.4
16"	6.7	13.5	18.0	21.3	25.7	31.6	30.4
18"	7.5	15.1	20.1	23.7	28.4	34.9	33.5
20"	8.3	16.7	22.2	26.0	31.1	38.2	36.6
22"	9.2	18.2	24.3	28.4	33.8	41.5	39.6
24"	10.0	19.8	26.4	30.7	36.5	44.8	42.7
26"	10.8	21.4	28.5	33.1	39.2	48.1	45.7
28"	11.7	22.9	30.6	35.4	41.9	51.4	48.8
30"	12.5	24.5	32.7	37.8	44.6	54.7	51.8
32"	13.3	26.1	34.7	40.1	47.3	58.1	54.9
34"	14.2	27.7	36.8	42.5	50.0	61.4	57.9
36"	15.0	29.2	38.9	44.8	52.7	64.7	61.0

Sealant and Usage

Jeremias also provides two options for sealants based upon temperature of the flue gases:

J-2000 Sealant, for temperatures up to 2000°F. Use for caulking/sealing V-bands and flange surfaces within this temperature range.

J-600 Sealant, for temperatures up to 600°F. Use for caulking/sealing V-bands and flange surfaces within this temperature range.

J-400 SILV Sealant, for temperatures up to 400°F. Use for caulking/sealing Locking Bands on exterior installations.

Sealant Usage Chart:

Shows expected number of joints sealed per tube.

Ø	# of Joints
6"	10
8" - 10"	9
11" - 12"	8
13" - 16"	7
18" - 20"	6
22" - 24"	5
26" - 28"	4
30" - 32"	3
34" - 36"	2

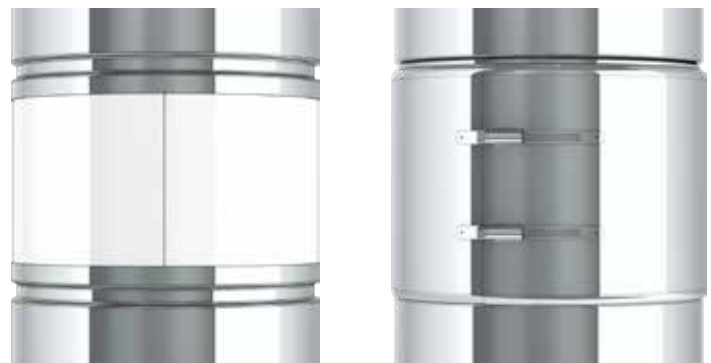
Joint Assembly

The Jeremias double wall models joint system is designed for a quick and easy installation. Follow Steps 1 through 3 for general pipe and fittings assembly.



Step 1:

Apply sealant to flange surface. Join flanges together. Apply sealant to the inner groove of the V-Band. Position V-Band around the flanges and tighten screws on V-Band.



Step 2:

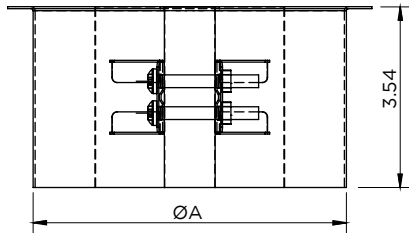
Wrap the joint insulation around the V-Band.

Step 3:

Position the Locking Band in place. Tighten the Locking Band hardware. Caulk the top of the Locking Band with J-400 on exterior installations.

ADAPTERS

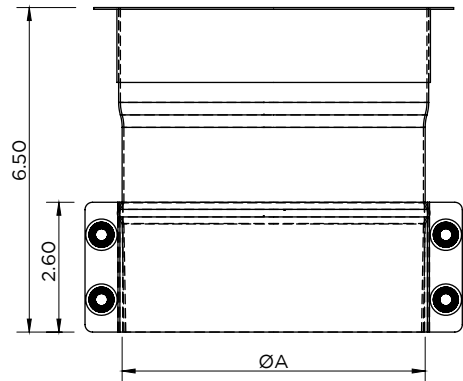
Raw Collar Outside Adapter / DWFLØ-RCO



Ø	ØA
6	6
7	7
8	8
9	9
10	10
11	11
12	12
13	13
14	14
16	16
18	18
20	20
22	22
24	24
26	26
28	28
30	30
32	32
34	34
36	36

Includes Locking Band with Latch Clamp

Raw Collar Inside Adapter / DWFLØ-RCI

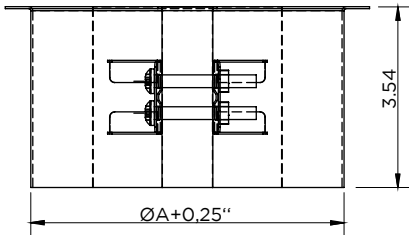


Ø	ØA
6	6
7	7
8	8
9	9
10	10
11	11
12	12
13	13
14	14
16	16
18	18
20	20
22	22
24	24
26	26
28	28
30	30
32	32
34	34
36	36

Includes Locking Band with Latch Clamp

ADAPTERS

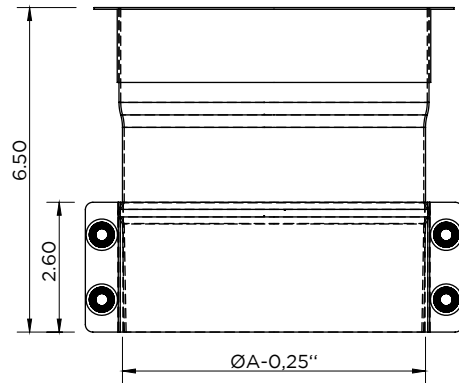
Raw Collar Outside Adapter-Large / DWFLØ-RCO-LG



Ø	ØA
6	6
7	7
8	8
9	9
10	10
11	11
12	12
13	13
14	14
16	16
18	18
20	20
22	22
24	24
26	26
28	28
30	30
32	32
34	34
36	36

Includes Locking Band with Latch Clamp

Raw Collar Inside Adapter-Small / DWFLØ-RCI-SM

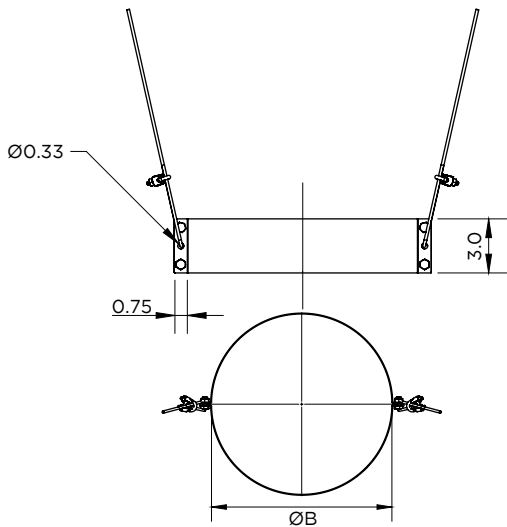


Ø	ØA
6	6
7	7
8	8
9	9
10	10
11	11
12	12
13	13
14	14
16	16
18	18
20	20
22	22
24	24
26	26
28	28
30	30
32	32
34	34
36	36

Includes Locking Band with Latch Clamp

SUPPORTS

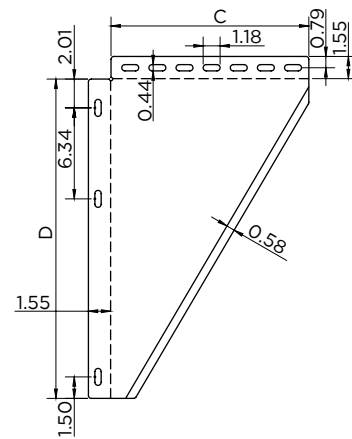
Light Support Band / DWFLØ-LSB



Ø	B
6	8.6
7	9.6
8	10.6
9	11.6
10	12.6
11	13.6
12	14.6
13	15.6
14	16.6
16	18.6
18	20.6
20	22.6
22	24.6
24	26.6
26	28.6
28	30.6
30	32.6
32	34.6
34	36.6
36	38.6

Included bolts and nuts M6x20. Wire not included

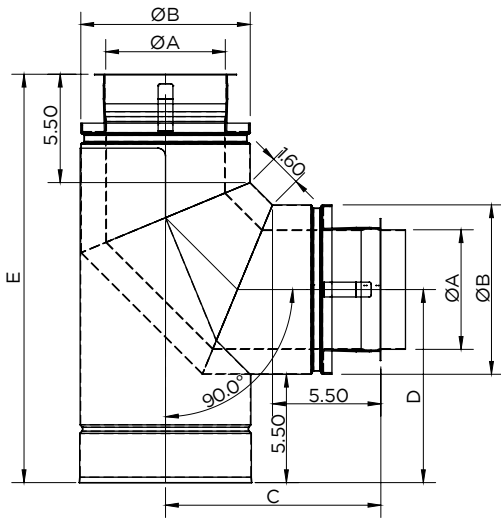
Wall Brackets for Anchor Plate Support & Full Angle Ring / DWFLØ-WB



Ø	C	D
6	13.78	22.24
7	13.78	22.24
8	15.75	24.21
9	17.72	24.21
10	17.72	24.21
11	17.72	26.18
12	19.69	26.18
13	21.65	26.18
14	21.65	26.18
16	23.62	28.15
18	25.59	28.15
20	27.56	30.12
22	29.53	30.12
24	29.53	30.12
26	31.50	34.06
28	33.46	36.02
30	35.43	37.99
32	37.40	39.96
34	39.37	41.93
36	41.34	43.90

SUPPORTS

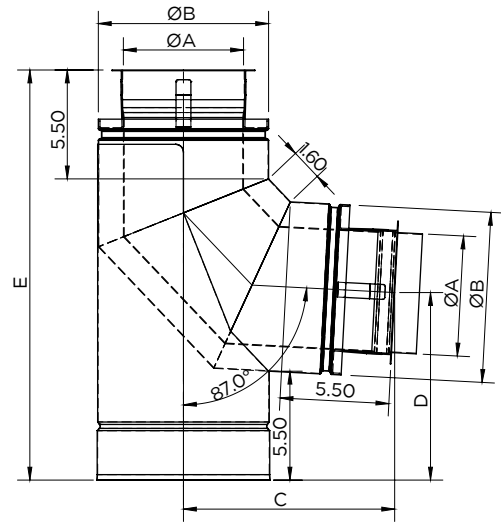
Elbow 90° with support leg / DWFLØ-90ES



Ø	ØA	ØB FL, FL+1	ØB FL+2	ØB FL+3, ZC	ØB FL+4	C	D	E
6	6	8.5	10.5	12.5	14.5	10.93	9.8	20.73
7	7	9.5	11.5	13.5	15.5	11.43	10.3	21.73
8	8	10.5	12.5	14.5	16.5	11.93	10.8	22.73
9	9	11.5	13.5	15.5	17.5	12.43	11.3	23.73
10	10	12.5	14.5	16.5	18.5	12.93	11.8	24.73
11	11	13.5	15.5	17.5	19.5	13.43	12.3	25.73
12	12	14.5	16.5	18.5	20.5	13.93	12.8	26.73
13	13	15.5	17.5	19.5	21.5	14.43	13.3	27.73
14	14	16.5	18.5	20.5	22.5	14.93	13.8	28.73
16	16	18.5	20.5	22.5	24.5	15.93	14.8	30.73
18	18	20.5	22.5	24.5	26.5	16.94	15.8	32.74
20	20	22.5	24.5	26.5	28.5	17.94	16.8	34.74
22	22	24.5	26.5	28.5	30.5	18.94	17.8	36.74
24	24	26.5	28.5	30.5	32.5	19.94	18.8	38.74

Works with SBP

Elbow 87° with support leg / DWFLØ-87ES

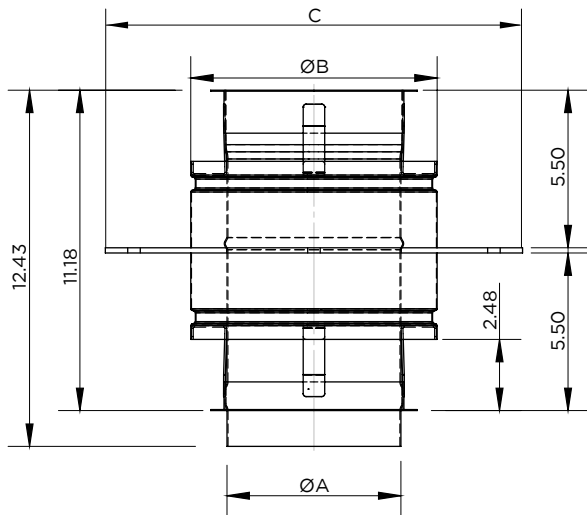


Ø	ØA	ØB FL, FL+1	ØB FL+2	ØB FL+3, ZC	ØB FL+4	C	D	E
6	6	8.5	10.5	12.5	14.5	10.67	9.47	20.71
7	7	9.5	11.5	13.5	15.5	11.14	9.97	21.72
8	8	10.5	12.5	14.5	16.5	11.62	10.48	22.72
9	9	11.5	13.5	15.5	17.5	12.09	10.98	23.72
10	10	12.5	14.5	16.5	18.5	12.56	11.48	24.72
11	11	13.5	15.5	17.5	19.5	13.04	11.98	25.72
12	12	14.5	16.5	18.5	20.5	13.51	12.48	26.72
13	13	15.5	17.5	19.5	21.5	13.99	12.99	27.72
14	14	16.5	18.5	20.5	22.5	14.46	13.49	28.73
16	16	18.5	20.5	22.5	24.5	15.41	14.49	30.73
18	18	20.5	22.5	24.5	26.5	16.36	15.5	32.74
20	20	22.5	24.5	26.5	28.5	17.31	16.51	34.74
22	22	24.5	26.5	28.5	30.5	18.25	17.51	36.75
24	24	26.5	28.5	30.5	32.5	19.2	18.51	38.75

Works with SBP

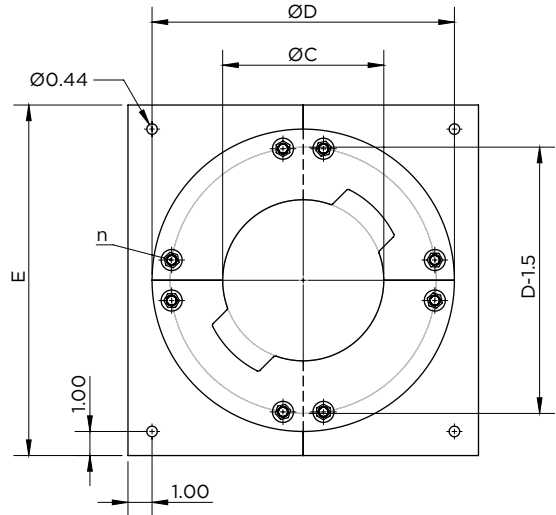
SUPPORTS

Anchor Plate Support / DWFLØ-APS



Ø	ØA	ØB	C
6	6	8.5	14.56
7	7	9.5	15.56
8	8	10.5	16.56
9	9	11.5	17.56
10	10	12.5	18.56
11	11	13.5	19.56
12	12	14.5	20.56
13	13	15.5	21.56
14	14	16.5	22.56
16	16	18.5	24.56
18	18	20.5	26.56
20	20	22.5	28.56
22	22	24.5	30.56
24	24	26.5	32.56
26	26	28.5	34.56
28	28	30.5	36.56
30	30	32.5	38.56
32	32	34.5	40.56
34	34	36.5	42.56
36	36	38.5	44.56

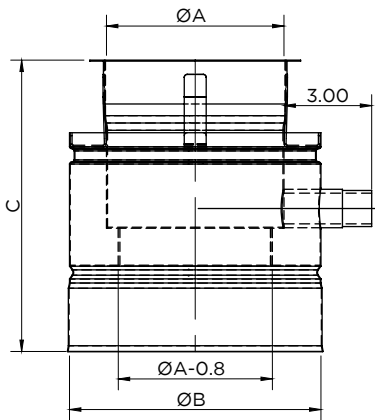
Plate Support / DWFLØ-PS



Ø	ØC	ØD	E
6	6.7	12.56	14.56
7	7.7	13.56	15.56
8	8.7	14.56	16.56
9	9.7	15.56	17.56
10	10.7	16.56	18.56
11	11.7	17.56	19.56
12	12.7	17.56	20.56
13	13.7	19.56	21.56
14	14.7	20.56	22.56
16	16.7	22.56	24.56
18	18.7	24.56	26.56
20	20.7	26.56	28.56
22	22.7	28.56	30.56
24	24.7	30.56	32.56
26	26.7	32.56	34.56
28	28.7	34.56	36.56
30	30.7	36.56	38.56
32	32.7	38.56	40.56
34	34.7	40.56	42.56
36	36.7	42.56	44.56

SUPPORTS

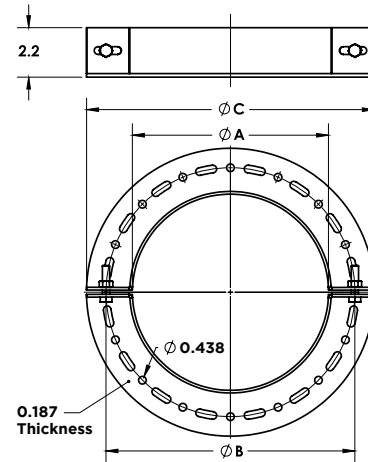
Drain Tee Cap for support / DWFLØ-DCSS



Ø	ØA	ØB FL, FL+1	ØB FL+2	ØB FL+3, ZC	ØB FL+4	C
6	6	8.5	10.5	12.5	14.5	9.96
7	7	9.5	11.5	13.5	15.5	9.96
8	8	10.5	12.5	14.5	16.5	9.96
9	9	11.5	13.5	15.5	17.5	9.96
10	10	12.5	14.5	16.5	18.5	9.96
11	11	13.5	15.5	17.5	19.5	9.96
12	12	14.5	16.5	18.5	20.5	9.96
13	13	15.5	17.5	19.5	21.5	9.96
14	14	16.5	18.5	20.5	22.5	9.96
16	16	18.5	20.5	22.5	24.5	9.96
18	18	20.5	22.5	24.5	26.5	9.96
20	20	22.5	24.5	26.5	28.5	9.96
22	22	24.5	26.5	28.5	30.5	9.96
24	24	26.5	28.5	30.5	32.5	9.96
26	26	28.5	30.5	32.5	34.5	11.22
28	28	30.5	32.5	34.5	36.5	11.22
30	30	32.5	34.5	36.5	38.5	11.22
32	32	34.5	36.5	38.5	40.5	11.22
34	34	36.5	38.5	40.5	42.5	11.22
36	36	38.5	40.5	42.5	44.5	11.22

Works with SBP. Includes Locking Band with gear Clamp

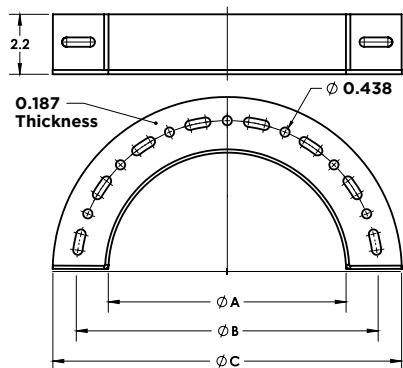
Full Angle Ring / DWKLØ-FAR



Ø	A	ØA	ØB	ØC
6	8.5	A+1/8	ØA+2.3	ØA +4
7	9.5	A+1/8	ØA+2.3	ØA +4
8	10.5	A+1/8	ØA+2.3	ØA +4
9	11.5	A+1/8	ØA+2.3	ØA +4
10	12.5	A+1/8	ØA+2.3	ØA +4
11	13.5	A+1/8	ØA+2.3	ØA +4
12	14.5	A+1/8	ØA+2.3	ØA +4
13	15.5	A+1/8	ØA+2.3	ØA +4
14	16.5	A+1/8	ØA+2.3	ØA +4
16	18.5	A+1/8	ØA+2.3	ØA +4
18	20.5	A+1/8	ØA+2.3	ØA +4
20	22.5	A+1/8	ØA+2.3	ØA +4
22	24.5	A+1/8	ØA+2.3	ØA +4
24	26.5	A+1/8	ØA+2.3	ØA +4
26	28.5	A+1/8	ØA+2.3	ØA +4
28	30.5	A+1/8	ØA+2.3	ØA +4
30	32.5	A+1/8	ØA+2.3	ØA +4
32	34.5	A+1/8	ØA+2.3	ØA +4
34	36.5	A+1/8	ØA+2.3	ØA +4
36	38.5	A+1/8	ØA+2.3	ØA +4

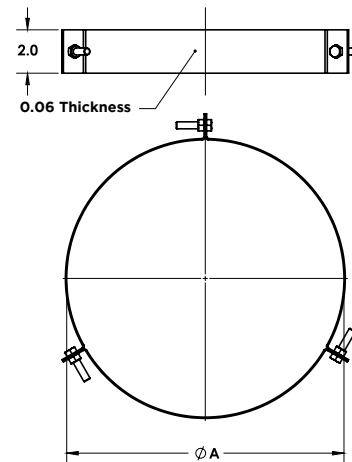
SUPPORTS

Half Angle Ring / DWKLØ-HAR



\varnothing	A	$\varnothing A$	$\varnothing B$	$\varnothing C$
6	8.5	A+1/8	$\varnothing A+2.3$	$\varnothing A + 4$
7	9.5	A+1/8	$\varnothing A+2.3$	$\varnothing A + 4$
8	10.5	A+1/8	$\varnothing A+2.3$	$\varnothing A + 4$
9	11.5	A+1/8	$\varnothing A+2.3$	$\varnothing A + 4$
10	12.5	A+1/8	$\varnothing A+2.3$	$\varnothing A + 4$
11	13.5	A+1/8	$\varnothing A+2.3$	$\varnothing A + 4$
12	14.5	A+1/8	$\varnothing A+2.3$	$\varnothing A + 4$
13	15.5	A+1/8	$\varnothing A+2.3$	$\varnothing A + 4$
14	16.5	A+1/8	$\varnothing A+2.3$	$\varnothing A + 4$
16	18.5	A+1/8	$\varnothing A+2.3$	$\varnothing A + 4$
18	20.5	A+1/8	$\varnothing A+2.3$	$\varnothing A + 4$
20	22.5	A+1/8	$\varnothing A+2.3$	$\varnothing A + 4$
22	24.5	A+1/8	$\varnothing A+2.3$	$\varnothing A + 4$
24	26.5	A+1/8	$\varnothing A+2.3$	$\varnothing A + 4$
26	28.5	A+1/8	$\varnothing A+2.3$	$\varnothing A + 4$
28	30.5	A+1/8	$\varnothing A+2.3$	$\varnothing A + 4$
30	32.5	A+1/8	$\varnothing A+2.3$	$\varnothing A + 4$
32	34.5	A+1/8	$\varnothing A+2.3$	$\varnothing A + 4$
34	36.5	A+1/8	$\varnothing A+2.3$	$\varnothing A + 4$
36	38.5	A+1/8	$\varnothing A+2.3$	$\varnothing A + 4$

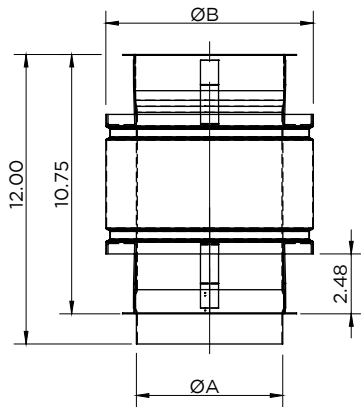
Guy Wires Band / DWKLØ-GWB



\varnothing	A
6	8.5
7	9.5
8	10.5
9	11.5
10	12.5
11	13.5
12	14.5
13	15.5
14	16.5
16	18.5
18	20.5
20	22.5
22	24.5
24	26.5
26	28.5
28	30.5
30	32.5
32	34.5
34	36.5
36	38.5

STRAIGHT LENGTHS

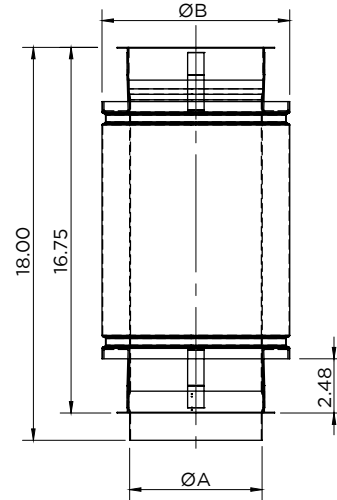
12" Fixed Length / DWFLØ-12L



Ø	ØA	ØB FL, FL+1	ØB FL+2	ØB FL+3, ZC	ØB FL+4
6	6	8.5	10.5	12.5	14.5
7	7	9.5	11.5	13.5	15.5
8	8	10.5	12.5	14.5	16.5
9	9	11.5	13.5	15.5	17.5
10	10	12.5	14.5	16.5	18.5
11	11	13.5	15.5	17.5	19.5
12	12	14.5	16.5	18.5	20.5
13	13	15.5	17.5	19.5	21.5
14	14	16.5	18.5	20.5	22.5
16	16	18.5	20.5	22.5	24.5
18	18	20.5	22.5	24.5	26.5
20	20	22.5	24.5	26.5	28.5
22	22	24.5	26.5	28.5	30.5
24	24	26.5	28.5	30.5	32.5
26	26	28.5	30.5	32.5	34.5
28	28	30.5	32.5	34.5	36.5
30	30	32.5	34.5	36.5	38.5
32	32	34.5	36.5	38.5	40.5
34	34	36.5	38.5	40.5	42.5
36	36	38.5	40.5	42.5	44.5

*Installed Lengths. Part includes V-Band and Locking Band.

18" Fixed Length / DWFLØ-18L

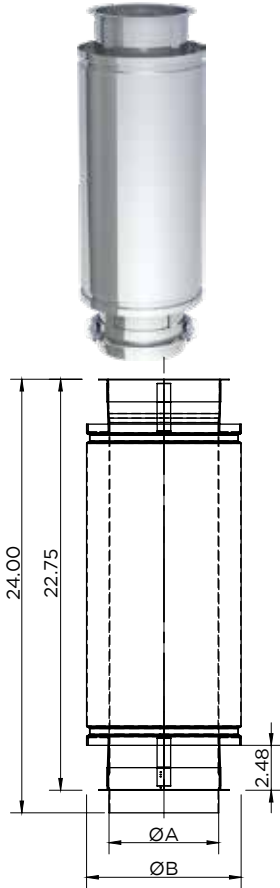


Ø	ØA	ØB FL, FL+1	ØB FL+2	ØB FL+3, ZC	ØB FL+4
6	6	8.5	10.5	12.5	14.5
7	7	9.5	11.5	13.5	15.5
8	8	10.5	12.5	14.5	16.5
9	9	11.5	13.5	15.5	17.5
10	10	12.5	14.5	16.5	18.5
11	11	13.5	15.5	17.5	19.5
12	12	14.5	16.5	18.5	20.5
13	13	15.5	17.5	19.5	21.5
14	14	16.5	18.5	20.5	22.5
16	16	18.5	20.5	22.5	24.5
18	18	20.5	22.5	24.5	26.5
20	20	22.5	24.5	26.5	28.5
22	22	24.5	26.5	28.5	30.5
24	24	26.5	28.5	30.5	32.5
26	26	28.5	30.5	32.5	34.5
28	28	30.5	32.5	34.5	36.5
30	30	32.5	34.5	36.5	38.5
32	32	34.5	36.5	38.5	40.5
34	34	36.5	38.5	40.5	42.5
36	36	38.5	40.5	42.5	44.5

*Installed Lengths. Part includes V-Band and Locking Band.

STRAIGHT LENGTHS

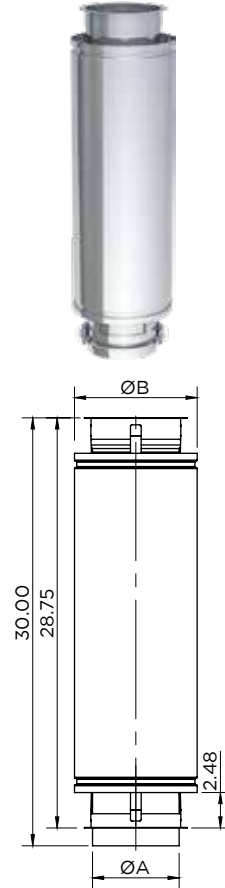
24" Fixed Length / DWFLØ-24L



Ø	ØA	ØB FL, FL+1	ØB FL+2	ØB FL+3, ZC	ØB FL+4
6	6	8.5	10.5	12.5	14.5
7	7	9.5	11.5	13.5	15.5
8	8	10.5	12.5	14.5	16.5
9	9	11.5	13.5	15.5	17.5
10	10	12.5	14.5	16.5	18.5
11	11	13.5	15.5	17.5	19.5
12	12	14.5	16.5	18.5	20.5
13	13	15.5	17.5	19.5	21.5
14	14	16.5	18.5	20.5	22.5
16	16	18.5	20.5	22.5	24.5
18	18	20.5	22.5	24.5	26.5
20	20	22.5	24.5	26.5	28.5
22	22	24.5	26.5	28.5	30.5
24	24	26.5	28.5	30.5	32.5
26	26	28.5	30.5	32.5	34.5
28	28	30.5	32.5	34.5	36.5
30	30	32.5	34.5	36.5	38.5
32	32	34.5	36.5	38.5	40.5
34	34	36.5	38.5	40.5	42.5
36	36	38.5	40.5	42.5	44.5

*Installed Lengths. Part includes V-Band and Locking Band.

30" Fixed Length / DWFLØ-30L

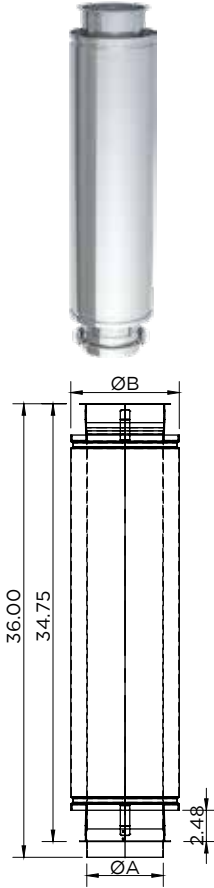


Ø	ØA	ØB FL, FL+1	ØB FL+2	ØB FL+3, ZC	ØB FL+4
6	6	8.5	10.5	12.5	14.5
7	7	9.5	11.5	13.5	15.5
8	8	10.5	12.5	14.5	16.5
9	9	11.5	13.5	15.5	17.5
10	10	12.5	14.5	16.5	18.5
11	11	13.5	15.5	17.5	19.5
12	12	14.5	16.5	18.5	20.5
13	13	15.5	17.5	19.5	21.5
14	14	16.5	18.5	20.5	22.5
16	16	18.5	20.5	22.5	24.5
18	18	20.5	22.5	24.5	26.5
20	20	22.5	24.5	26.5	28.5
22	22	24.5	26.5	28.5	30.5
24	24	26.5	28.5	30.5	32.5
26	26	28.5	30.5	32.5	34.5
28	28	30.5	32.5	34.5	36.5
30	30	32.5	34.5	36.5	38.5
32	32	34.5	36.5	38.5	40.5
34	34	36.5	38.5	40.5	42.5
36	36	38.5	40.5	42.5	44.5

*Installed Lengths. Part includes V-Band and Locking Band.

STRAIGHT LENGTHS

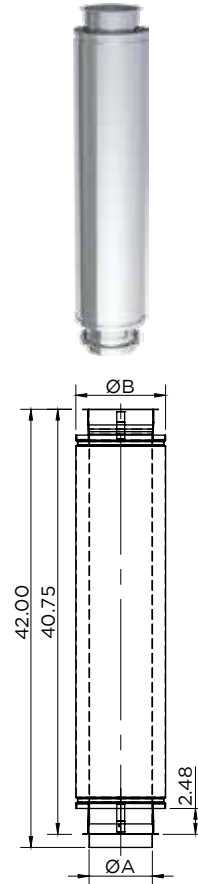
36" Fixed Length / DWFLØ-36L



Ø	ØA	ØB FL, FL+1	ØB FL+2	ØB FL+3, ZC	ØB FL+4
6	6	8.5	10.5	12.5	14.5
7	7	9.5	11.5	13.5	15.5
8	8	10.5	12.5	14.5	16.5
9	9	11.5	13.5	15.5	17.5
10	10	12.5	14.5	16.5	18.5
11	11	13.5	15.5	17.5	19.5
12	12	14.5	16.5	18.5	20.5
13	13	15.5	17.5	19.5	21.5
14	14	16.5	18.5	20.5	22.5
16	16	18.5	20.5	22.5	24.5
18	18	20.5	22.5	24.5	26.5
20	20	22.5	24.5	26.5	28.5
22	22	24.5	26.5	28.5	30.5
24	24	26.5	28.5	30.5	32.5
26	26	28.5	30.5	32.5	34.5
28	28	30.5	32.5	34.5	36.5
30	30	32.5	34.5	36.5	38.5
32	32	34.5	36.5	38.5	40.5
34	34	36.5	38.5	40.5	42.5
36	36	38.5	40.5	42.5	44.5

*Installed Lengths. Part includes V-Band and Locking Band.

42" Fixed Length / DWFLØ-42L

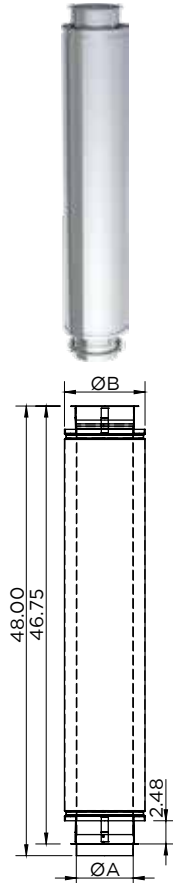


Ø	ØA	ØB FL, FL+1	ØB FL+2	ØB FL+3, ZC	ØB FL+4
6	6	8.5	10.5	12.5	14.5
7	7	9.5	11.5	13.5	15.5
8	8	10.5	12.5	14.5	16.5
9	9	11.5	13.5	15.5	17.5
10	10	12.5	14.5	16.5	18.5
11	11	13.5	15.5	17.5	19.5
12	12	14.5	16.5	18.5	20.5
13	13	15.5	17.5	19.5	21.5
14	14	16.5	18.5	20.5	22.5
16	16	18.5	20.5	22.5	24.5
18	18	20.5	22.5	24.5	26.5
20	20	22.5	24.5	26.5	28.5
22	22	24.5	26.5	28.5	30.5
24	24	26.5	28.5	30.5	32.5
26	26	28.5	30.5	32.5	34.5
28	28	30.5	32.5	34.5	36.5
30	30	32.5	34.5	36.5	38.5
32	32	34.5	36.5	38.5	40.5
34	34	36.5	38.5	40.5	42.5
36	36	38.5	40.5	42.5	44.5

*Installed Lengths. Part includes V-Band and Locking Band.

STRAIGHT LENGTHS

48" Fixed Length / DWFLØ-48L

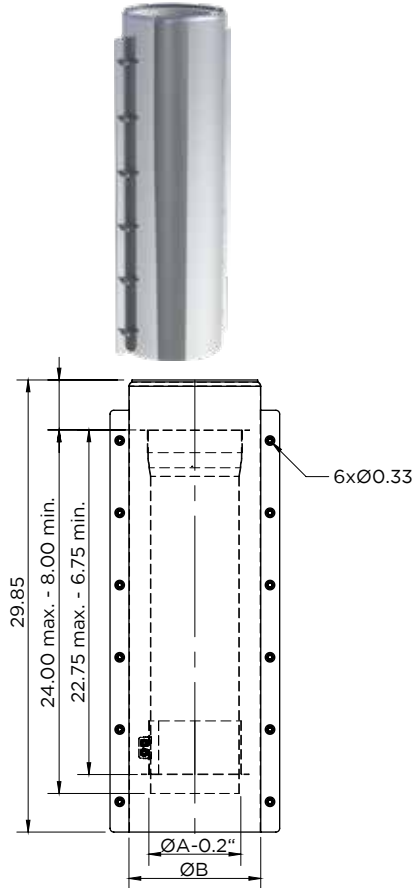


Ø	ØA	ØB FL, FL+1	ØB FL+2	ØB FL+3, ZC	ØB FL+4
6	6	8.5	10.5	12.5	14.5
7	7	9.5	11.5	13.5	15.5
8	8	10.5	12.5	14.5	16.5
9	9	11.5	13.5	15.5	17.5
10	10	12.5	14.5	16.5	18.5
11	11	13.5	15.5	17.5	19.5
12	12	14.5	16.5	18.5	20.5
13	13	15.5	17.5	19.5	21.5
14	14	16.5	18.5	20.5	22.5
16	16	18.5	20.5	22.5	24.5
18	18	20.5	22.5	24.5	26.5
20	20	22.5	24.5	26.5	28.5
22	22	24.5	26.5	28.5	30.5
24	24	26.5	28.5	30.5	32.5
26	26	28.5	30.5	32.5	34.5
28	28	30.5	32.5	34.5	36.5
30	30	32.5	34.5	36.5	38.5
32	32	34.5	36.5	38.5	40.5
34	34	36.5	38.5	40.5	42.5
36	36	38.5	40.5	42.5	44.5

*Installed Lengths. Part includes V-Band and Locking Band.

ADJUSTABLE LENGTHS

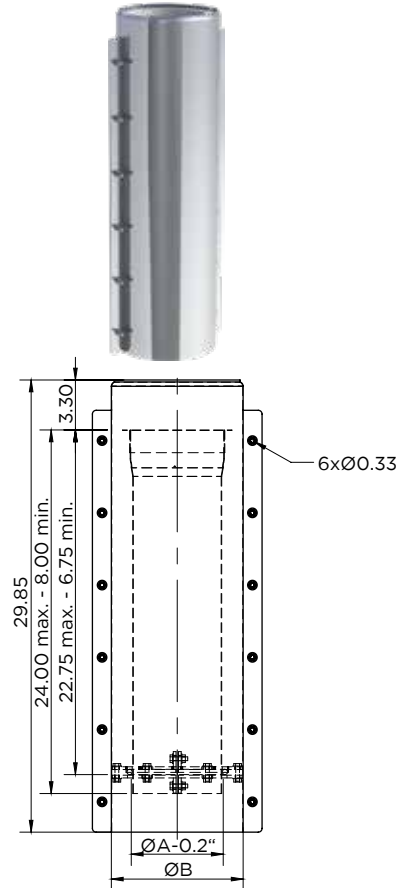
24" Adjustable Length / DWFLØ-24AL



Ø	ØA	ØB FL, FL+1	ØB FL+2	ØB FL+3, ZC	ØB FL+4
6	6	8.5	10.5	12.5	14.5
7	7	9.5	11.5	13.5	15.5
8	8	10.5	12.5	14.5	16.5
9	9	11.5	13.5	15.5	17.5
10	10	12.5	14.5	16.5	18.5
11	11	13.5	15.5	17.5	19.5
12	12	14.5	16.5	18.5	20.5
13	13	15.5	17.5	19.5	21.5
14	14	16.5	18.5	20.5	22.5
16	16	18.5	20.5	22.5	24.5
18	18	20.5	22.5	24.5	26.5
20	20	22.5	24.5	26.5	28.5
22	22	24.5	26.5	28.5	30.5
24	24	26.5	28.5	30.5	32.5
26	26	28.5	30.5	32.5	34.5
28	28	30.5	32.5	34.5	36.5
30	30	32.5	34.5	36.5	38.5
32	32	34.5	36.5	38.5	40.5
34	34	36.5	38.5	40.5	42.5
36	36	38.5	40.5	42.5	44.5

*Installed Lengths. Part includes V-Band and Locking Band.

24" Adjustable Length with gasket / DWFLØ-24ALG

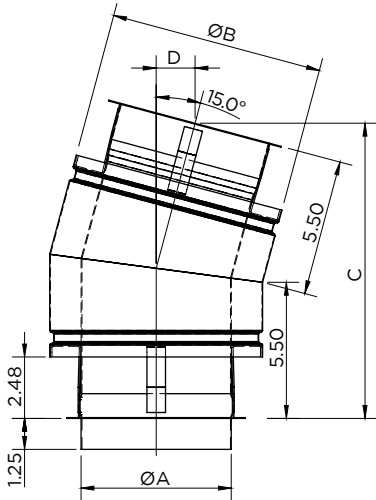


Ø	ØA	ØB FL, FL+1	ØB FL+2	ØB FL+3, ZC	ØB FL+4
6	6	8.5	10.5	12.5	14.5
7	7	9.5	11.5	13.5	15.5
8	8	10.5	12.5	14.5	16.5
9	9	11.5	13.5	15.5	17.5
10	10	12.5	14.5	16.5	18.5
11	11	13.5	15.5	17.5	19.5
12	12	14.5	16.5	18.5	20.5
13	13	15.5	17.5	19.5	21.5
14	14	16.5	18.5	20.5	22.5
16	16	18.5	20.5	22.5	24.5
18	18	20.5	22.5	24.5	26.5
20	20	22.5	24.5	26.5	28.5
22	22	24.5	26.5	28.5	30.5
24	24	26.5	28.5	30.5	32.5
26	26	28.5	30.5	32.5	34.5
28	28	30.5	32.5	34.5	36.5
30	30	32.5	34.5	36.5	38.5
32	32	34.5	36.5	38.5	40.5
34	34	36.5	38.5	40.5	42.5
36	36	38.5	40.5	42.5	44.5

*Installed Lengths. Part includes V-Band and Locking Band.

ELBOWS

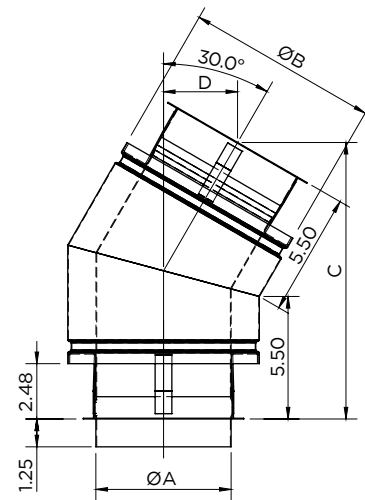
15° Elbow / DWFLØ-15EL



Ø	ØA	ØB FL, FL+1	ØB FL+2	ØB FL+3, ZC	ØB FL+4	C	D
6	6	8.5	10.5	12.5	14.5	11.93	1.57
7	7	9.5	11.5	13.5	15.5	12.05	1.59
8	8	10.5	12.5	14.5	16.5	12.18	1.6
9	9	11.5	13.5	15.5	17.5	12.31	1.62
10	10	12.5	14.5	16.5	18.5	12.44	1.64
11	11	13.5	15.5	17.5	19.5	12.57	1.66
12	12	14.5	16.5	18.5	20.5	12.7	1.67
13	13	15.5	17.5	19.5	21.5	12.83	1.69
14	14	16.5	18.5	20.5	22.5	12.96	1.71
16	16	18.5	20.5	22.5	24.5	13.22	1.74
18	18	20.5	22.5	24.5	26.5	13.48	1.77
20	20	22.5	24.5	26.5	28.5	13.74	1.81
22	22	24.5	26.5	28.5	30.5	14	1.84
24	24	26.5	28.5	30.5	32.5	14.26	1.88
26	26	28.5	30.5	32.5	34.5	14.51	1.91
28	28	30.5	32.5	34.5	36.5	14.77	1.95
30	30	32.5	34.5	36.5	38.5	15.03	1.98
32	32	34.5	36.5	38.5	40.5	15.29	2.01
34	34	36.5	38.5	40.5	42.5	15.55	2.05
36	36	38.5	40.5	42.5	44.5	15.81	2.08

Includes Locking Band with gear Clamp.

30° Elbow / DWFLØ-30EL

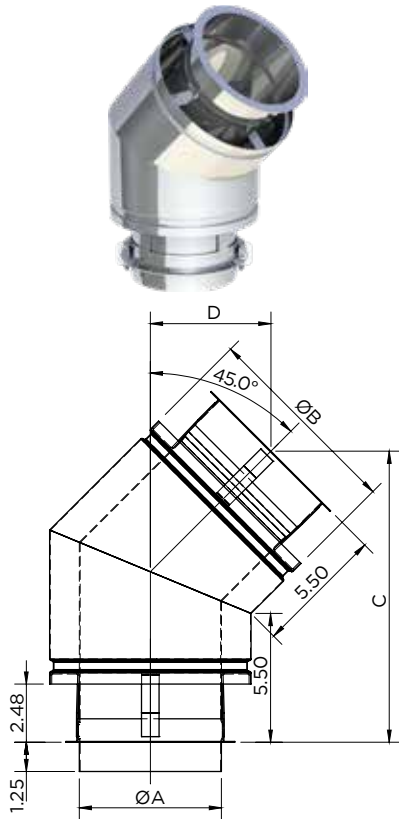


Ø	ØA	ØB FL, FL+1	ØB FL+2	ØB FL+3, ZC	ØB FL+4	C	D
6	6	8.5	10.5	12.5	14.5	12.41	3.33
7	7	9.5	11.5	13.5	15.5	12.66	3.39
8	8	10.5	12.5	14.5	16.5	12.91	3.46
9	9	11.5	13.5	15.5	17.5	13.16	3.53
10	10	12.5	14.5	16.5	18.5	13.41	3.59
11	11	13.5	15.5	17.5	19.5	13.66	3.66
12	12	14.5	16.5	18.5	20.5	13.91	3.73
13	13	15.5	17.5	19.5	21.5	14.16	3.79
14	14	16.5	18.5	20.5	22.5	14.41	3.86
16	16	18.5	20.5	22.5	24.5	14.91	4
18	18	20.5	22.5	24.5	26.5	15.42	4.13
20	20	22.5	24.5	26.5	28.5	15.92	4.26
22	22	24.5	26.5	28.5	30.5	16.42	4.4
24	24	26.5	28.5	30.5	32.5	16.92	4.53
26	26	28.5	30.5	32.5	34.5	17.42	4.67
28	28	30.5	32.5	34.5	36.5	17.92	4.8
30	30	32.5	34.5	36.5	38.5	18.42	4.93
32	32	34.5	36.5	38.5	40.5	18.92	5.07
34	34	36.5	38.5	40.5	42.5	19.42	5.2
36	36	38.5	40.5	42.5	44.5	19.92	5.34

Includes Locking Band with gear Clamp.

ELBOWS

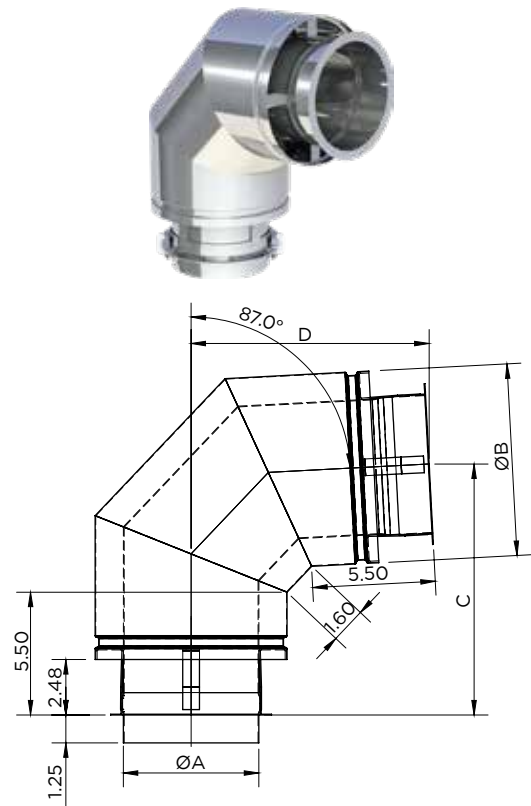
45° Elbow / DWFLØ-45EL



Ø	ØA	ØB FL, FL+1	ØB FL+2	ØB FL+3, ZC	ØB FL+4	C	D
6	6	8.5	10.5	12.5	14.5	12.43	5.15
7	7	9.5	11.5	13.5	15.5	12.78	5.29
8	8	10.5	12.5	14.5	16.5	13.14	5.44
9	9	11.5	13.5	15.5	17.5	13.49	5.59
10	10	12.5	14.5	16.5	18.5	13.84	5.73
11	11	13.5	15.5	17.5	19.5	14.2	5.88
12	12	14.5	16.5	18.5	20.5	14.55	6.03
13	13	15.5	17.5	19.5	21.5	14.9	6.17
14	14	16.5	18.5	20.5	22.5	15.26	6.32
16	16	18.5	20.5	22.5	24.5	15.97	6.61
18	18	20.5	22.5	24.5	26.5	16.68	6.91
20	20	22.5	24.5	26.5	28.5	17.38	7.2
22	22	24.5	26.5	28.5	30.5	18.09	7.49
24	24	26.5	28.5	30.5	32.5	18.8	7.79
26	26	28.5	30.5	32.5	34.5	19.5	8.08
28	28	30.5	32.5	34.5	36.5	20.21	8.37
30	30	32.5	34.5	36.5	38.5	20.92	8.66
32	32	34.5	36.5	38.5	40.5	21.63	8.96
34	34	36.5	38.5	40.5	42.5	22.33	9.25
36	36	38.5	40.5	42.5	44.5	23.04	9.54

Includes Locking Band with gear Clamp.

87° Elbow / DWFLØ-87EL

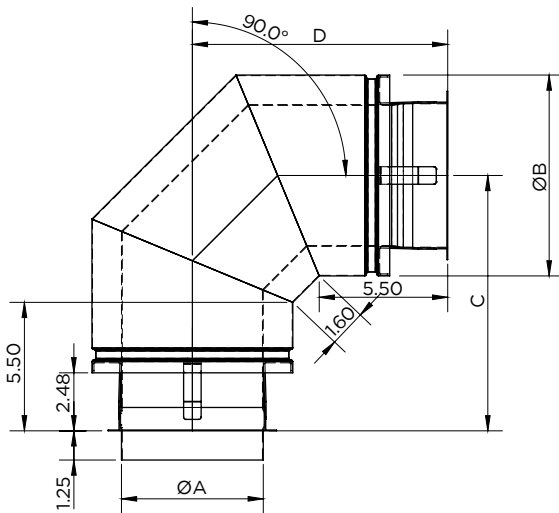


Ø	ØA	ØB FL, FL+1	ØB FL+2	ØB FL+3, ZC	ØB FL+4	C	D
6	6	8.5	10.5	12.5	14.5	11.24	10.67
7	7	9.5	11.5	13.5	15.5	11.74	11.14
8	8	10.5	12.5	14.5	16.5	12.24	11.62
9	9	11.5	13.5	15.5	17.5	12.74	12.09
10	10	12.5	14.5	16.5	18.5	13.24	12.56
11	11	13.5	15.5	17.5	19.5	13.74	13.04
12	12	14.5	16.5	18.5	20.5	14.24	13.51
13	13	15.5	17.5	19.5	21.5	14.74	13.99
14	14	16.5	18.5	20.5	22.5	15.24	14.46
16	16	18.5	20.5	22.5	24.5	16.24	15.41
18	18	20.5	22.5	24.5	26.5	17.24	16.36
20	20	22.5	24.5	26.5	28.5	18.24	17.31
22	22	24.5	26.5	28.5	30.5	19.24	18.25
24	24	26.5	28.5	30.5	32.5	20.23	19.2
26	26	28.5	30.5	32.5	34.5	21.23	20.15
28	28	30.5	32.5	34.5	36.5	22.23	21.1
30	30	32.5	34.5	36.5	38.5	23.23	22.05
32	32	34.5	36.5	38.5	40.5	24.23	22.99
34	34	36.5	38.5	40.5	42.5	25.23	23.94
36	36	38.5	40.5	42.5	44.5	26.23	24.89

Includes Locking Band with gear Clamp.

ELBOWS

90° Elbow/ DWFLØ-90EL

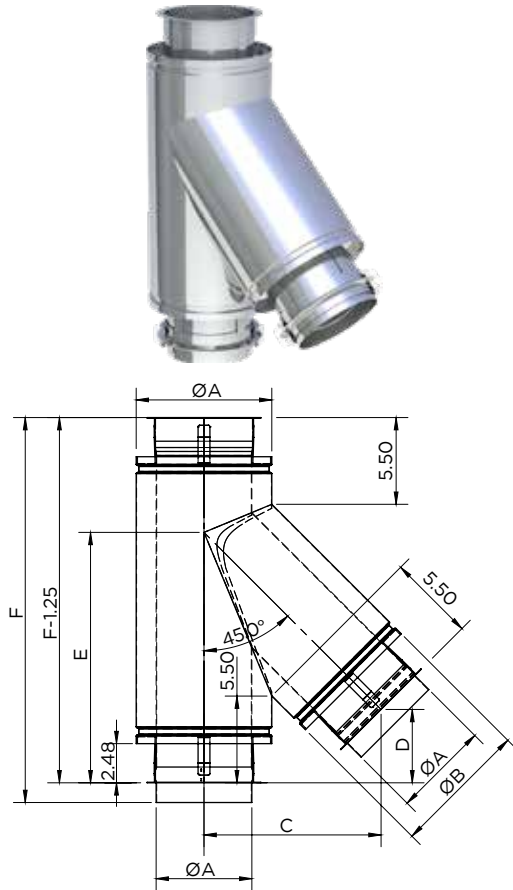


Ø	ØA	$\text{ØB}_{\text{FL, FL+1}}$	$\text{ØB}_{\text{FL+2}}$	$\text{ØB}_{\text{FL+3, ZC}}$	$\text{ØB}_{\text{FL+4}}$	C	D
6	6	8.5	10.5	12.5	14.5	10.93	10.93
7	7	9.5	11.5	13.5	15.5	11.43	11.43
8	8	10.5	12.5	14.5	16.5	11.93	11.93
9	9	11.5	13.5	15.5	17.5	12.43	12.43
10	10	12.5	14.5	16.5	18.5	12.93	12.93
11	11	13.5	15.5	17.5	19.5	13.43	13.43
12	12	14.5	16.5	18.5	20.5	13.93	13.93
13	13	15.5	17.5	19.5	21.5	14.43	14.43
14	14	16.5	18.5	20.5	22.5	14.93	14.93
16	16	18.5	20.5	22.5	24.5	15.93	15.93
18	18	20.5	22.5	24.5	26.5	16.94	16.94
20	20	22.5	24.5	26.5	28.5	17.94	17.94
22	22	24.5	26.5	28.5	30.5	18.94	18.94
24	24	26.5	28.5	30.5	32.5	19.94	19.94
26	26	28.5	30.5	32.5	34.5	20.94	20.94
28	28	30.5	32.5	34.5	36.5	21.94	21.94
30	30	32.5	34.5	36.5	38.5	22.94	22.94
32	32	34.5	36.5	38.5	40.5	23.94	23.94
34	34	36.5	38.5	40.5	42.5	24.94	24.94
36	36	38.5	40.5	42.5	44.5	25.94	25.94

Includes Locking Band with gear Clamp.

TEES

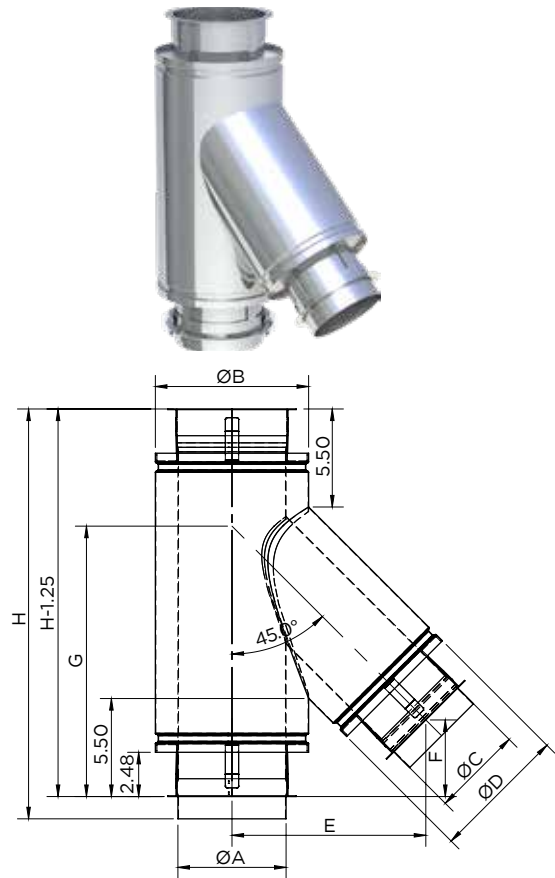
45° Tee / DWFLØ-45T



Ø	ØA	ØB FL, FL+1	ØB FL+2	ØB FL+3, ZC	ØB FL+4	C	D	E	F
6	6	8.5	10.5	12.5	14.5	11.23	4.65	15.88	24.41
7	7	9.5	11.5	13.5	15.5	12.08	5	17.09	25.83
8	8	10.5	12.5	14.5	16.5	12.94	5.36	18.29	27.24
9	9	11.5	13.5	15.5	17.5	13.79	5.71	19.5	28.65
10	10	12.5	14.5	16.5	18.5	14.64	6.07	20.71	30.07
11	11	13.5	15.5	17.5	19.5	15.51	6.42	21.93	31.5
12	12	14.5	16.5	18.5	20.5	16.36	6.78	23.14	32.91
13	13	15.5	17.5	19.5	21.5	17.21	7.13	24.34	34.33
14	14	16.5	18.5	20.5	22.5	18.07	7.48	25.55	35.74
16	16	18.5	20.5	22.5	24.5	19.77	8.19	27.96	38.57
18	18	20.5	22.5	24.5	26.5	21.48	8.9	30.38	41.4
20	20	22.5	24.5	26.5	28.5	23.19	9.6	32.79	44.22
22	22	24.5	26.5	28.5	30.5	24.89	10.31	35.21	47.05
24	24	26.5	28.5	30.5	32.5	26.6	11.02	37.62	49.88
26	26	28.5	30.5	32.5	34.5	28.31	11.73	40.03	52.71
28	28	30.5	32.5	34.5	36.5	30.02	12.43	42.45	55.54
30	30	32.5	34.5	36.5	38.5	31.72	13.14	44.86	58.37
32	32	34.5	36.5	38.5	40.5	33.43	13.85	47.28	61.2
34	34	36.5	38.5	40.5	42.5	35.14	14.55	49.69	64.02
36	36	38.5	40.5	42.5	44.5	36.84	15.26	52.11	66.85

*Installed Lengths. Part includes V-Band and Locking Band.

45° Reduction Tee / DWFLØ-45TØ

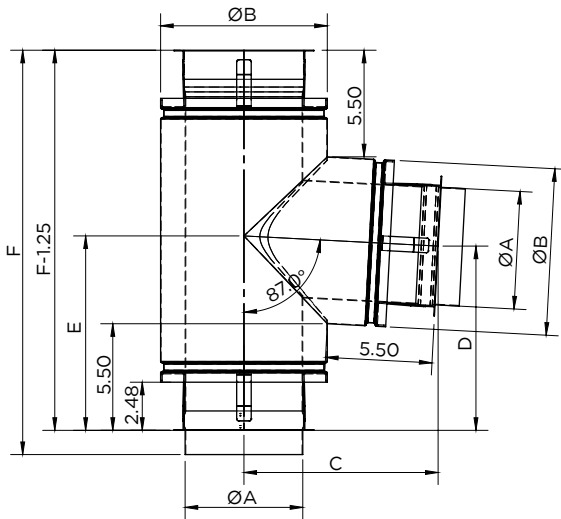


Ø	A	ØB FL, FL+1	ØB FL+2	ØB FL+3, ZC	ØB FL+4	C	D	E	F	G	H
6	6	8.5	10.5	12.5	14.5						
7	7	9.5	11.5	13.5	15.5						
8	8	10.5	12.5	14.5	16.5						
9	9	11.5	13.5	15.5	17.5						
10	10	12.5	14.5	16.5	18.5						
11	11	13.5	15.5	17.5	19.5						
12	12	14.5	16.5	18.5	20.5						
13	13	15.5	17.5	19.5	21.5						
14	14	16.5	18.5	20.5	22.5						
16	16	18.5	20.5	22.5	24.5						
18	18	20.5	22.5	24.5	26.5						
20	20	22.5	24.5	26.5	28.5						
22	22	24.5	26.5	28.5	30.5						
24	24	26.5	28.5	30.5	32.5						
26	26	28.5	30.5	32.5	34.5						
28	28	30.5	32.5	34.5	36.5						
30	30	32.5	34.5	36.5	38.5						
32	32	34.5	36.5	38.5	40.5						
34	34	36.5	38.5	40.5	42.5						
36	36	38.5	40.5	42.5	44.5						
										Customer Dimension	Customer Dimension
										Customer Dimension	Customer Dimension
										Customer Dimension	Customer Dimension
										Customer Dimension	Customer Dimension
										Customer Dimension	Customer Dimension
										Customer Dimension	Customer Dimension

*Installed Lengths. Part includes V-Band and Locking Band.

TEES

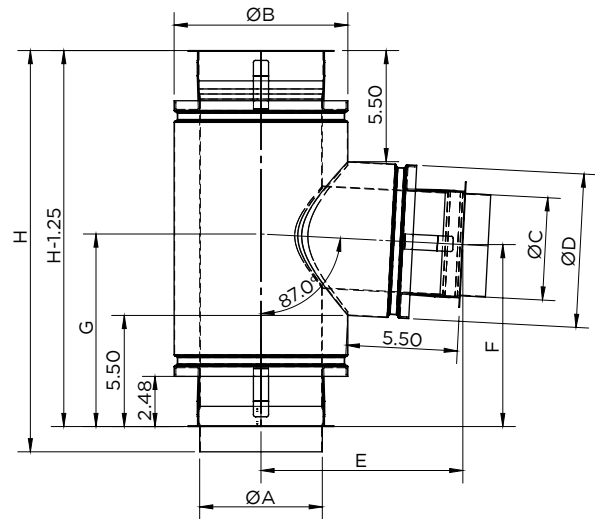
87° Tee / DWFLØ-87T



Ø	ØA	ØB FL, FL+1	ØB FL+2	ØB FL+3, ZC	ØB FL+4	C	D	E	F
6	6	8.5	10.5	12.5	14.5	10.02	9.51	10.03	20.86
7	7	9.5	11.5	13.5	15.5	10.54	10.01	10.56	21.86
8	8	10.5	12.5	14.5	16.5	11.07	10.5	11.08	22.86
9	9	11.5	13.5	15.5	17.5	11.6	11	11.61	23.87
10	10	12.5	14.5	16.5	18.5	12.12	11.5	12.14	24.87
11	11	13.5	15.5	17.5	19.5	12.65	12.01	12.67	25.88
12	12	14.5	16.5	18.5	20.5	13.18	12.51	13.2	26.88
13	13	15.5	17.5	19.5	21.5	13.71	13.01	13.72	27.88
14	14	16.5	18.5	20.5	22.5	14.23	13.51	14.25	28.88
16	16	18.5	20.5	22.5	24.5	15.28	14.5	15.31	30.89
18	18	20.5	22.5	24.5	26.5	16.34	15.5	16.36	32.89
20	20	22.5	24.5	26.5	28.5	17.39	16.5	17.41	34.89
22	22	24.5	26.5	28.5	30.5	18.44	17.5	18.47	36.89
24	24	26.5	28.5	30.5	32.5	19.49	18.5	19.52	38.9
26	26	28.5	30.5	32.5	34.5	20.55	19.5	20.57	40.9
28	28	30.5	32.5	34.5	36.5	21.6	20.5	21.63	42.9
30	30	32.5	34.5	36.5	38.5	22.65	21.49	22.68	44.9
32	32	34.5	36.5	38.5	40.5	23.7	22.49	23.74	46.91
34	34	36.5	38.5	40.5	42.5	24.76	23.49	24.79	48.91
36	36	38.5	40.5	42.5	44.5	25.81	24.49	25.84	50.91

*Installed Lengths. Part includes V-Band and Locking Band.

87° Reduction Tee / DWFL AIRØ-87TØ

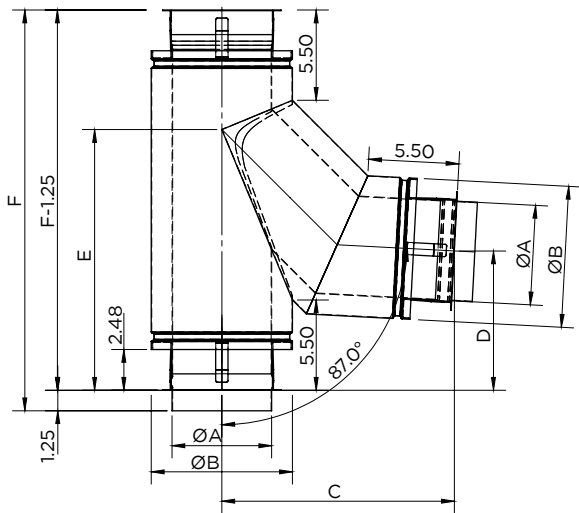


Ø	ØA	ØB FL, FL+1	ØB FL+2	ØB FL+3, ZC	ØB FL+4	C	D	E	F	ØG	ØH
6	6	8.5	10.5	12.5	14.5						
7	7	9.5	11.5	13.5	15.5						
8	8	10.5	12.5	14.5	16.5						
9	9	11.5	13.5	15.5	17.5						
10	10	12.5	14.5	16.5	18.5						
11	11	13.5	15.5	17.5	19.5						
12	12	14.5	16.5	18.5	20.5						
13	13	15.5	17.5	19.5	21.5						
14	14	16.5	18.5	20.5	22.5						
16	16	18.5	20.5	22.5	24.5						
18	18	20.5	22.5	24.5	26.5						
20	20	22.5	24.5	26.5	28.5						
22	22	24.5	26.5	28.5	30.5						
24	24	26.5	28.5	30.5	32.5						
26	26	28.5	30.5	32.5	34.5						
28	28	30.5	32.5	34.5	36.5						
30	30	32.5	34.5	36.5	38.5						
32	32	34.5	36.5	38.5	40.5						
34	34	36.5	38.5	40.5	42.5						
36	36	38.5	40.5	42.5	44.5						

* - Installed length is determined by diameter G. Includes Locking Band with gear Clamp

TEES

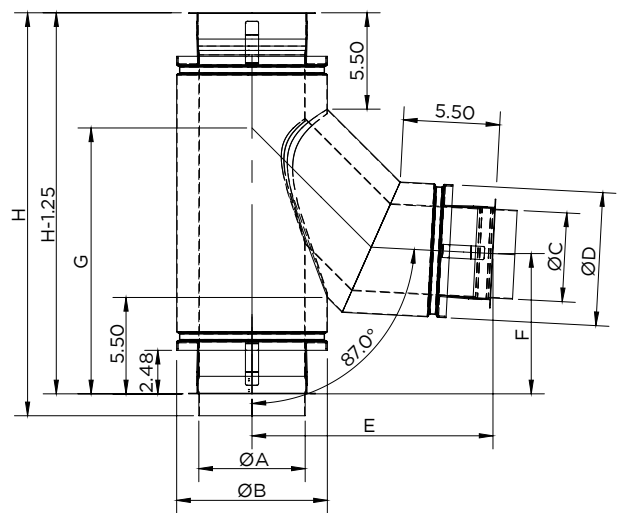
87° Boot Tee / DWFLØ-87BT



Ø	ØA	ØB FL, FL+1	ØB FL+2	ØB FL+3, ZC	ØB FL+4	C	D	E	F
6	6	8.5	10.5	12.5	14.5	14.16	8.48	15.88	24.41
7	7	9.5	11.5	13.5	15.5	15.07	8.96	17.09	25.83
8	8	10.5	12.5	14.5	16.5	15.98	9.44	18.29	27.24
9	9	11.5	13.5	15.5	17.5	16.89	9.92	19.5	28.65
10	10	12.5	14.5	16.5	18.5	17.8	10.4	20.71	30.07
11	11	13.5	15.5	17.5	19.5	18.72	10.89	21.93	31.5
12	12	14.5	16.5	18.5	20.5	19.63	11.36	23.14	32.91
13	13	15.5	17.5	19.5	21.5	20.54	11.84	24.34	34.33
14	14	16.5	18.5	20.5	22.5	21.45	12.32	25.55	35.74
16	16	18.5	20.5	22.5	24.5	23.27	13.28	27.96	38.57
18	18	20.5	22.5	24.5	26.5	25.09	14.24	30.38	41.4
20	20	22.5	24.5	26.5	28.5	26.9	15.2	32.79	44.22
22	22	24.5	26.5	28.5	30.5	28.72	16.16	35.21	47.05
24	24	26.5	28.5	30.5	32.5	30.54	17.12	37.62	49.88
26	26	28.5	30.5	32.5	34.5	32.36	18.07	40.03	52.71
28	28	30.5	32.5	34.5	36.5	34.18	19.03	42.45	55.54
30	30	32.5	34.5	36.5	38.5	36	19.99	44.86	58.37
32	32	34.5	36.5	38.5	40.5	37.82	20.95	47.28	61.2
34	34	36.5	38.5	40.5	42.5	39.64	21.91	49.69	64.02
36	36	38.5	40.5	42.5	44.5	41.46	22.87	52.11	66.85

* - Installed lengths. Includes Locking Band with gear Clamp

87° Boot Reduction Tee / DWFLØ-87BTØ

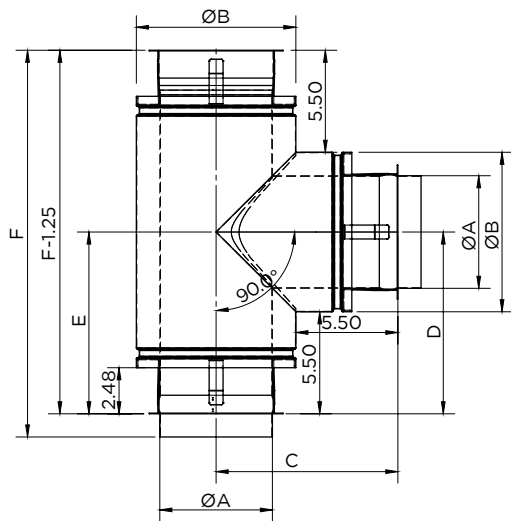


Ø	ØA	ØB FL, FL+1	ØB FL+2	ØB FL+3, ZC	ØB FL+4	C	D	E	F	ØG	ØH
6	6	8.5	10.5	12.5	14.5						
7	7	9.5	11.5	13.5	15.5						
8	8	10.5	12.5	14.5	16.5						
9	9	11.5	13.5	15.5	17.5						
10	10	12.5	14.5	16.5	18.5						
11	11	13.5	15.5	17.5	19.5						
12	12	14.5	16.5	18.5	20.5						
13	13	15.5	17.5	19.5	21.5						
14	14	16.5	18.5	20.5	22.5						
16	16	18.5	20.5	22.5	24.5						
18	18	20.5	22.5	24.5	26.5						
20	20	22.5	24.5	26.5	28.5						
22	22	24.5	26.5	28.5	30.5						
24	24	26.5	28.5	30.5	32.5						
26	26	28.5	30.5	32.5	34.5						
28	28	30.5	32.5	34.5	36.5						
30	30	32.5	34.5	36.5	38.5						
32	32	34.5	36.5	38.5	40.5						
34	34	36.5	38.5	40.5	42.5						
36	36	38.5	40.5	42.5	44.5						

* - Installed lengths. Includes Locking Band with gear Clamp

TEES

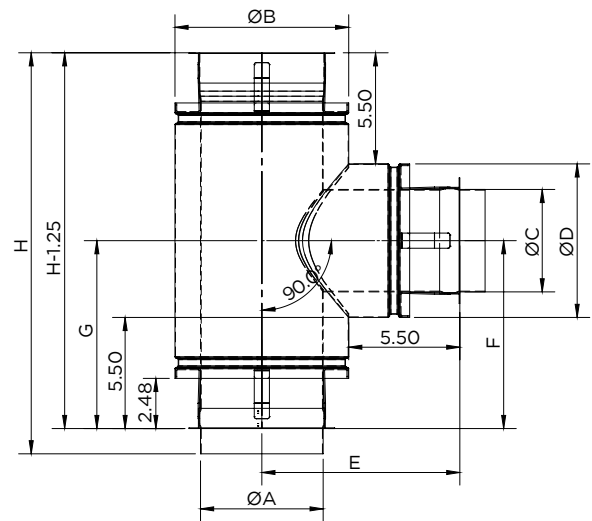
90° Tee / DWFLØ-90T



Ø	ØA	ØB FL, FL+1	ØB FL+2	ØB FL+3, ZC	ØB FL+4	C	D	E	F
6	6	8.5	10.5	12.5	14.5	9.8	9.8	9.8	20.85
7	7	9.5	11.5	13.5	15.5	10.3	10.3	10.3	21.85
8	8	10.5	12.5	14.5	16.5	10.8	10.8	10.8	22.85
9	9	11.5	13.5	15.5	17.5	11.3	11.3	11.3	23.85
10	10	12.5	14.5	16.5	18.5	11.8	11.8	11.8	24.85
11	11	13.5	15.5	17.5	19.5	12.3	12.3	12.3	25.86
12	12	14.5	16.5	18.5	20.5	12.8	12.8	12.8	26.86
13	13	15.5	17.5	19.5	21.5	13.3	13.3	13.3	27.86
14	14	16.5	18.5	20.5	22.5	13.8	13.8	13.8	28.86
16	16	18.5	20.5	22.5	24.5	14.8	14.8	14.8	30.86
18	18	20.5	22.5	24.5	26.5	15.8	15.8	15.8	32.86
20	20	22.5	24.5	26.5	28.5	16.8	16.8	16.8	34.86
22	22	24.5	26.5	28.5	30.5	17.8	17.8	17.8	36.86
24	24	26.5	28.5	30.5	32.5	18.8	18.8	18.8	38.86
26	26	28.5	30.5	32.5	34.5	19.8	19.8	19.8	40.86
28	28	30.5	32.5	34.5	36.5	20.8	20.8	20.8	42.86
30	30	32.5	34.5	36.5	38.5	21.8	21.8	21.8	44.86
32	32	34.5	36.5	38.5	40.5	22.8	22.8	22.8	46.86
34	34	36.5	38.5	40.5	42.5	23.8	23.8	23.8	48.86
36	36	38.5	40.5	42.5	44.5	24.8	24.8	24.8	50.86

* - Installed lengths. Includes Locking Band with gear Clamp

90° Reduction Tee / DWFLØ-90TØ

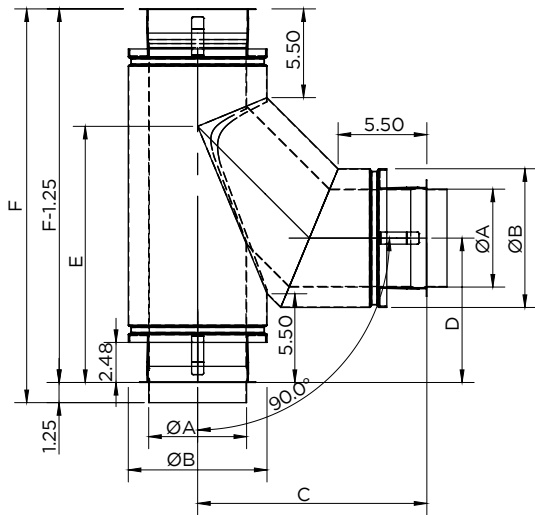


Ø	ØA	ØB FL, FL+1	ØB FL+2	ØB FL+3, ZC	ØB FL+4	C	D	E	F	ØG	ØH
6	6	8.5	10.5	12.5	14.5						
7	7	9.5	11.5	13.5	15.5						
8	8	10.5	12.5	14.5	16.5						
9	9	11.5	13.5	15.5	17.5						
10	10	12.5	14.5	16.5	18.5						
11	11	13.5	15.5	17.5	19.5						
12	12	14.5	16.5	18.5	20.5						
13	13	15.5	17.5	19.5	21.5						
14	14	16.5	18.5	20.5	22.5						
16	16	18.5	20.5	22.5	24.5						
18	18	20.5	22.5	24.5	26.5						
20	20	22.5	24.5	26.5	28.5						
22	22	24.5	26.5	28.5	30.5						
24	24	26.5	28.5	30.5	32.5						
26	26	28.5	30.5	32.5	34.5						
28	28	30.5	32.5	34.5	36.5						
30	30	32.5	34.5	36.5	38.5						
32	32	34.5	36.5	38.5	40.5						
34	34	36.5	38.5	40.5	42.5						
36	36	38.5	40.5	42.5	44.5						
						Customer Dimension	Customer Dimension	Customer Dimension	Customer Dimension	Customer Dimension	Customer Dimension

* - Installed length is determined by diameter G. Includes Locking Band with gear Clamp

TEES

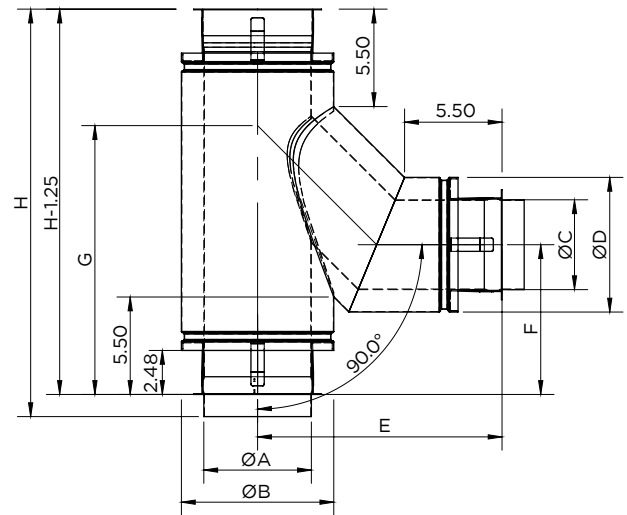
90° Boot Tee / DWFLØ-90BT



Ø	ØA	ØB FL, FL+1	ØB FL+2	ØB FL+3, ZC	ØB FL+4	C	D	E	F
6	6	8.5	10.5	12.5	14.5	14.21	8.95	15.88	24.41
7	7	9.5	11.5	13.5	15.5	15.12	9.45	17.09	25.83
8	8	10.5	12.5	14.5	16.5	16.04	9.95	18.29	27.24
9	9	11.5	13.5	15.5	17.5	16.95	10.45	19.5	28.65
10	10	12.5	14.5	16.5	18.5	17.87	10.95	20.71	30.07
11	11	13.5	15.5	17.5	19.5	18.79	11.46	21.93	31.5
12	12	14.5	16.5	18.5	20.5	19.7	11.96	23.14	32.91
13	13	15.5	17.5	19.5	21.5	20.62	12.46	24.34	34.33
14	14	16.5	18.5	20.5	22.5	21.53	12.96	25.55	35.74
16	16	18.5	20.5	22.5	24.5	23.36	13.96	27.96	38.57
18	18	20.5	22.5	24.5	26.5	25.19	14.96	30.38	41.4
20	20	22.5	24.5	26.5	28.5	27.02	15.96	32.79	44.22
22	22	24.5	26.5	28.5	30.5	28.85	16.96	35.21	47.05
24	24	26.5	28.5	30.5	32.5	30.68	17.96	37.62	49.88
26	26	28.5	30.5	32.5	34.5	32.5	18.96	40.03	52.71
28	28	30.5	32.5	34.5	36.5	34.33	19.96	42.45	55.54
30	30	32.5	34.5	36.5	38.5	36.16	20.96	44.86	58.37
32	32	34.5	36.5	38.5	40.5	37.99	21.96	47.28	61.2
34	34	36.5	38.5	40.5	42.5	39.82	22.96	49.69	64.02
36	36	38.5	40.5	42.5	44.5	41.65	23.96	52.11	66.85

* - Installed lengths. Includes Locking Band with gear Clamp

90° Reduction Boot Tee / DWFLØ-90BTØ

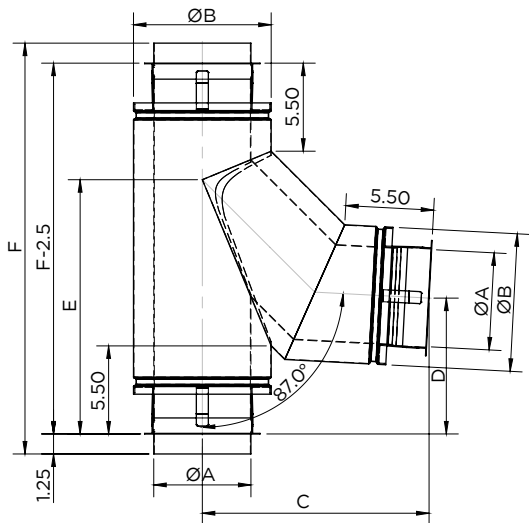


Ø	ØA	ØB FL, FL+1	ØB FL+2	ØB FL+3, ZC	ØB FL+4	ØC	ØD	E	F	G	H
6	6	8.5	10.5	12.5	14.5						
7	7	9.5	11.5	13.5	15.5						
8	8	10.5	12.5	14.5	16.5						
9	9	11.5	13.5	15.5	17.5						
10	10	12.5	14.5	16.5	18.5						
11	11	13.5	15.5	17.5	19.5						
12	12	14.5	16.5	18.5	20.5						
13	13	15.5	17.5	19.5	21.5						
14	14	16.5	18.5	20.5	22.5						
16	16	18.5	20.5	22.5	24.5						
18	18	20.5	22.5	24.5	26.5						
20	20	22.5	24.5	26.5	28.5						
22	22	24.5	26.5	28.5	30.5						
24	24	26.5	28.5	30.5	32.5						
26	26	28.5	30.5	32.5	34.5						
28	28	30.5	32.5	34.5	36.5						
30	30	32.5	34.5	36.5	38.5						
32	32	34.5	36.5	38.5	40.5						
34	34	36.5	38.5	40.5	42.5						
36	36	38.5	40.5	42.5	44.5						

* - Installed length is determined by diameter G. Includes Locking Band with gear Clamp

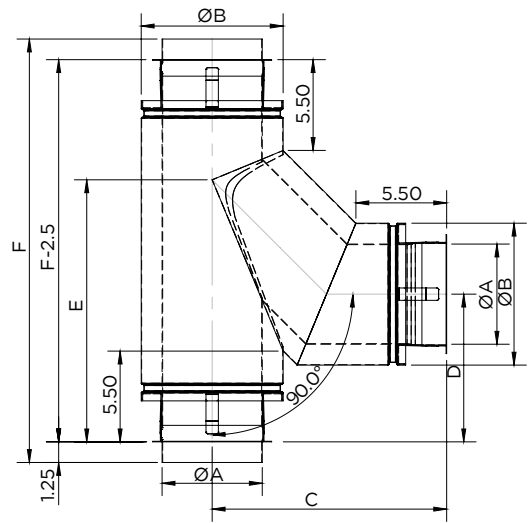
TEES

87° Grease Boot Tee / DWFLØ-90GBT



Ø	ØA	ØB FL, FL+1	ØB FL+2	ØB FL+3, ZC	ØB FL+4	C	D	E	F
6	6	8.5	10.5	12.5	14.5	14.16	8.48	15.88	25.66
7	7	9.5	11.5	13.5	15.5	15.07	8.96	17.09	27.08
8	8	10.5	12.5	14.5	16.5	15.98	9.44	18.29	28.49
9	9	11.5	13.5	15.5	17.5	16.89	9.92	19.5	29.9
10	10	12.5	14.5	16.5	18.5	17.8	10.4	20.71	31.32
11	11	13.5	15.5	17.5	19.5	18.72	10.89	21.93	32.75
12	12	14.5	16.5	18.5	20.5	19.63	11.36	23.14	34.16
13	13	15.5	17.5	19.5	21.5	20.54	11.84	24.34	35.58
14	14	16.5	18.5	20.5	22.5	21.45	12.32	25.55	36.99
16	16	18.5	20.5	22.5	24.5	23.27	13.28	27.96	39.82
18	18	20.5	22.5	24.5	26.5	25.09	14.24	30.38	42.65
20	20	22.5	24.5	26.5	28.5	26.9	15.2	32.79	45.47
22	22	24.5	26.5	28.5	30.5	28.72	16.16	35.21	48.3
24	24	26.5	28.5	30.5	32.5	30.54	17.12	37.62	51.13
26	26	28.5	30.5	32.5	34.5	32.36	18.07	40.03	53.96
28	28	30.5	32.5	34.5	36.5	34.18	19.03	42.45	56.79
30	30	32.5	34.5	36.5	38.5	36	19.99	44.86	59.62
32	32	34.5	36.5	38.5	40.5	37.82	20.95	47.28	62.45
34	34	36.5	38.5	40.5	42.5	39.64	21.91	49.69	65.27
36	36	38.5	40.5	42.5	44.5	41.46	22.87	52.11	68.1

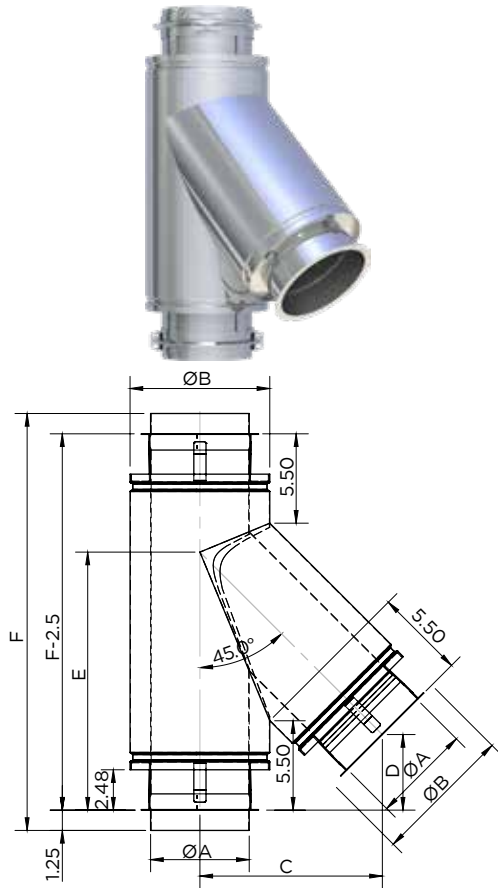
90° Grease Boot Tee / DWFLØ-87GBT



Ø	ØA	ØB FL, FL+1	ØB FL+2	ØB FL+3, ZC	ØB FL+4	C	D	E	F
6	6	8.5	10.5	12.5	14.5	14.21	8.95	15.88	25.66
7	7	9.5	11.5	13.5	15.5	15.12	9.45	17.09	27.08
8	8	10.5	12.5	14.5	16.5	16.04	9.95	18.29	28.49
9	9	11.5	13.5	15.5	17.5	16.95	10.45	19.5	29.9
10	10	12.5	14.5	16.5	18.5	17.87	10.95	20.71	31.32
11	11	13.5	15.5	17.5	19.5	18.79	11.46	21.93	32.75
12	12	14.5	16.5	18.5	20.5	19.7	11.96	23.14	34.16
13	13	15.5	17.5	19.5	21.5	20.62	12.46	24.34	35.58
14	14	16.5	18.5	20.5	22.5	21.53	12.96	25.55	36.99
16	16	18.5	20.5	22.5	24.5	23.36	13.96	27.96	39.82
18	18	20.5	22.5	24.5	26.5	25.19	14.96	30.38	42.65
20	20	22.5	24.5	26.5	28.5	27.02	15.96	32.79	45.47
22	22	24.5	26.5	28.5	30.5	28.85	16.96	35.21	48.3
24	24	26.5	28.5	30.5	32.5	30.68	17.96	37.62	51.13
26	26	28.5	30.5	32.5	34.5	32.5	18.96	40.03	53.96
28	28	30.5	32.5	34.5	36.5	34.33	19.96	42.45	56.79
30	30	32.5	34.5	36.5	38.5	36.16	20.96	44.86	59.62
32	32	34.5	36.5	38.5	40.5	37.99	21.96	47.28	62.45
34	34	36.5	38.5	40.5	42.5	39.82	22.96	49.69	65.27
36	36	38.5	40.5	42.5	44.5	41.65	23.96	52.11	68.1

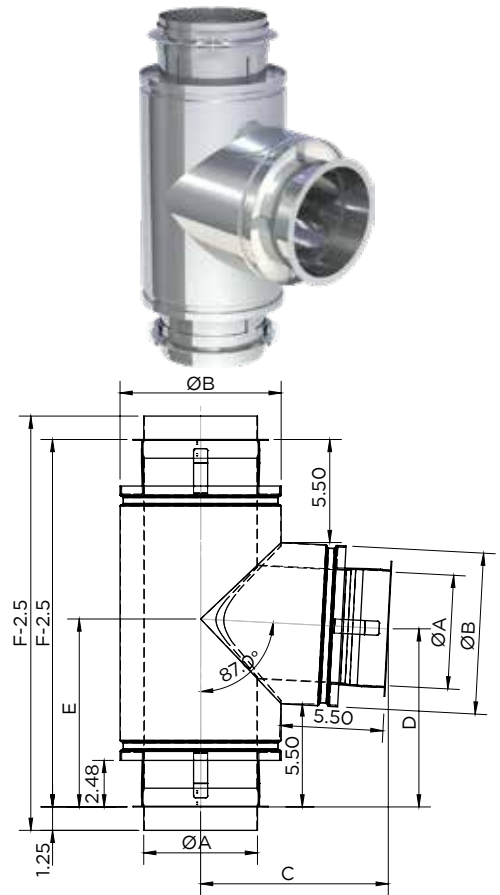
TEES

45° Grease Duct Tee / DWFLØ-45GT



Ø	ØA	ØB FL, FL+1	ØB FL+2	ØB FL+3, ZC	ØB FL+4	C	D	E	F
6	6	8.5	10.5	12.5	14.5	11.23	4.65	15.88	25.66
7	7	9.5	11.5	13.5	15.5	12.08	5	17.09	27.08
8	8	10.5	12.5	14.5	16.5	12.94	5.36	18.29	28.49
9	9	11.5	13.5	15.5	17.5	13.79	5.71	19.5	29.9
10	10	12.5	14.5	16.5	18.5	14.64	6.07	20.71	31.32
11	11	13.5	15.5	17.5	19.5	15.51	6.42	21.93	32.75
12	12	14.5	16.5	18.5	20.5	16.36	6.78	23.14	34.16
13	13	15.5	17.5	19.5	21.5	17.21	7.13	24.34	35.58
14	14	16.5	18.5	20.5	22.5	18.07	7.48	25.55	36.99
16	16	18.5	20.5	22.5	24.5	19.77	8.19	27.96	39.82
18	18	20.5	22.5	24.5	26.5	21.48	8.9	30.38	42.65
20	20	22.5	24.5	26.5	28.5	23.19	9.6	32.79	45.47
22	22	24.5	26.5	28.5	30.5	24.89	10.31	35.21	48.3
24	24	26.5	28.5	30.5	32.5	26.6	11.02	37.62	51.13
26	26	28.5	30.5	32.5	34.5	28.31	11.73	40.03	53.96
28	28	30.5	32.5	34.5	36.5	30.02	12.43	42.45	56.79
30	30	32.5	34.5	36.5	38.5	31.72	13.14	44.86	59.62
32	32	34.5	36.5	38.5	40.5	33.43	13.85	47.28	62.45
34	34	36.5	38.5	40.5	42.5	35.14	14.55	49.69	65.27
36	36	38.5	40.5	42.5	44.5	36.84	15.26	52.11	68.1

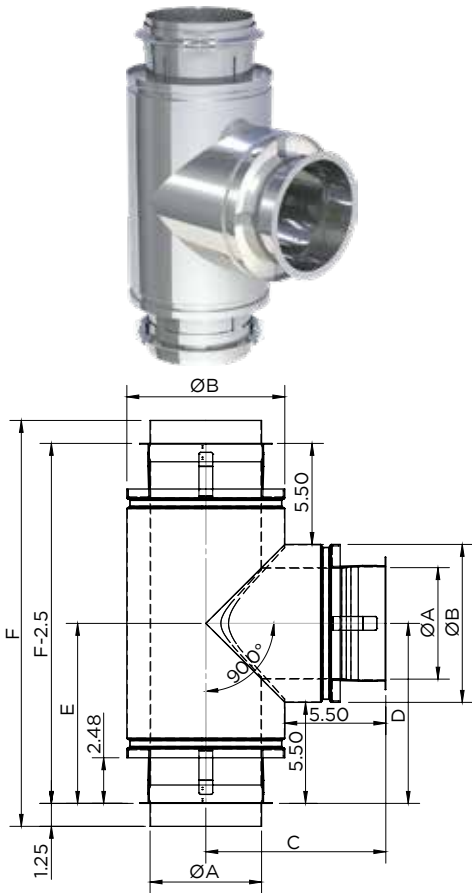
87° Grease Duct Tee / DWFLØ-87GT



Ø	ØA	ØB FL, FL+1	ØB FL+2	ØB FL+3, ZC	ØB FL+4	C	D	E	F
6	6	8.5	10.5	12.5	14.5	10.02	9.51	10.03	22.11
7	7	9.5	11.5	13.5	15.5	10.54	10.01	10.56	23.11
8	8	10.5	12.5	14.5	16.5	11.07	10.5	11.08	24.11
9	9	11.5	13.5	15.5	17.5	11.6	11	11.61	25.12
10	10	12.5	14.5	16.5	18.5	12.12	11.5	12.14	26.12
11	11	13.5	15.5	17.5	19.5	12.65	12.01	12.67	27.13
12	12	14.5	16.5	18.5	20.5	13.18	12.51	13.2	28.13
13	13	15.5	17.5	19.5	21.5	13.71	13.01	13.72	29.13
14	14	16.5	18.5	20.5	22.5	14.23	13.51	14.25	30.13
16	16	18.5	20.5	22.5	24.5	15.28	14.5	15.31	32.14
18	18	20.5	22.5	24.5	26.5	16.34	15.5	16.36	34.14
20	20	22.5	24.5	26.5	28.5	17.39	16.5	17.41	36.14
22	22	24.5	26.5	28.5	30.5	18.44	17.5	18.47	38.14
24	24	26.5	28.5	30.5	32.5	19.49	18.5	19.52	40.15
26	26	28.5	30.5	32.5	34.5	20.55	19.5	20.57	42.15
28	28	30.5	32.5	34.5	36.5	21.6	20.5	21.63	44.15
30	30	32.5	34.5	36.5	38.5	22.65	21.49	22.68	46.15
32	32	34.5	36.5	38.5	40.5	23.7	22.49	23.74	48.16
34	34	36.5	38.5	40.5	42.5	24.76	23.49	24.79	50.16
36	36	38.5	40.5	42.5	44.5	25.81	24.49	25.84	52.16

TEES

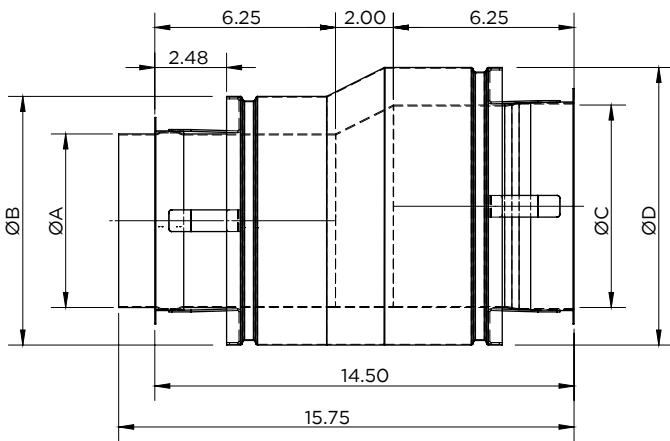
90° Grease Duct Tee / DWFLØ-90GT



Ø	ØA	ØB FL, FL+1	ØB FL+2	ØB FL+3, ZC	ØB FL+4	C	D	E	F
6	6	8.5	10.5	12.5	14.5	9.8	9.8	9.8	22.11
7	7	9.5	11.5	13.5	15.5	10.3	10.3	10.3	23.11
8	8	10.5	12.5	14.5	16.5	10.8	10.8	10.8	24.11
9	9	11.5	13.5	15.5	17.5	11.3	11.3	11.3	25.12
10	10	12.5	14.5	16.5	18.5	11.8	11.8	11.8	26.12
11	11	13.5	15.5	17.5	19.5	12.3	12.3	12.3	27.13
12	12	14.5	16.5	18.5	20.5	12.8	12.8	12.8	28.13
13	13	15.5	17.5	19.5	21.5	13.3	13.3	13.3	29.13
14	14	16.5	18.5	20.5	22.5	13.8	13.8	13.8	30.13
16	16	18.5	20.5	22.5	24.5	14.8	14.8	14.8	32.14
18	18	20.5	22.5	24.5	26.5	15.8	15.8	15.8	34.14
20	20	22.5	24.5	26.5	28.5	16.8	16.8	16.8	36.14
22	22	24.5	26.5	28.5	30.5	17.8	17.8	17.8	38.14
24	24	26.5	28.5	30.5	32.5	18.8	18.8	18.8	40.15
26	26	28.5	30.5	32.5	34.5	19.8	19.8	19.8	42.15
28	28	30.5	32.5	34.5	36.5	20.8	20.8	20.8	44.15
30	30	32.5	34.5	36.5	38.5	21.8	21.8	21.8	46.15
32	32	34.5	36.5	38.5	40.5	22.8	22.8	22.8	48.16
34	34	36.5	38.5	40.5	42.5	23.8	23.8	23.8	50.16
36	36	38.5	40.5	42.5	44.5	24.8	24.8	24.8	52.16

INCREASERS / REDUCERS

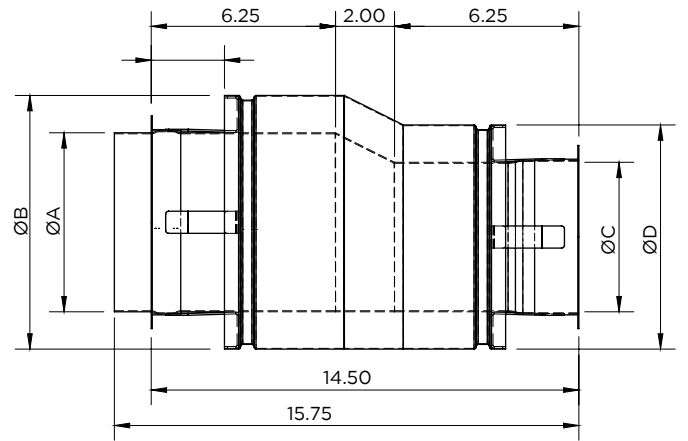
Tapered Eccentric Increaser / DWFLØ-TEIØ



Ø	ØA	ØB FL, FL+1	ØB FL+2	ØB FL+3, ZC	ØB FL+4	C	D
6	6	8.5	10.5	12.5	14.5	Customer Dimension	Customer Dimension
7	7	9.5	11.5	13.5	15.5		
8	8	10.5	12.5	14.5	16.5		
9	9	11.5	13.5	15.5	17.5		
10	10	12.5	14.5	16.5	18.5		
11	11	13.5	15.5	17.5	19.5		
12	12	14.5	16.5	18.5	20.5		
13	13	15.5	17.5	19.5	21.5		
14	14	16.5	18.5	20.5	22.5		
16	16	18.5	20.5	22.5	24.5		
18	18	20.5	22.5	24.5	26.5		
20	20	22.5	24.5	26.5	28.5		
22	22	24.5	26.5	28.5	30.5		
24	24	26.5	28.5	30.5	32.5		
26	26	28.5	30.5	32.5	34.5		
28	28	30.5	32.5	34.5	36.5		
30	30	32.5	34.5	36.5	38.5		
32	32	34.5	36.5	38.5	40.5		
34	34	36.5	38.5	40.5	42.5		
36	36	38.5	40.5	42.5	44.5		

Includes Locking Band with gear Clamp

Tapered Eccentric Reducer / DWFLØ-TERØ

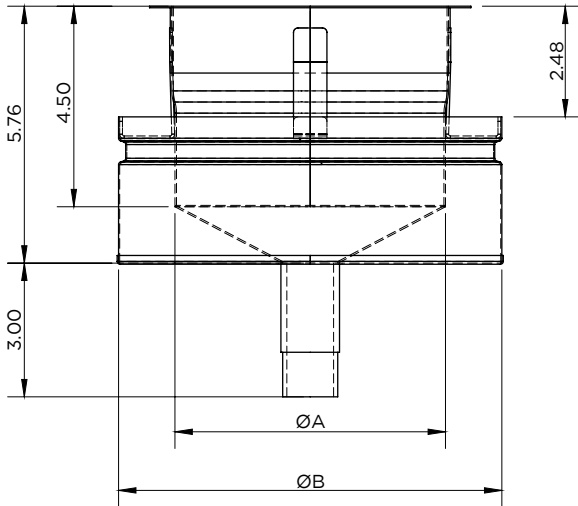


Ø	ØA	ØB FL, FL+1	ØB FL+2	ØB FL+3, ZC	ØB FL+4	C	D
6	6	8.5	10.5	12.5	14.5	Customer Dimension	Customer Dimension
7	7	9.5	11.5	13.5	15.5		
8	8	10.5	12.5	14.5	16.5		
9	9	11.5	13.5	15.5	17.5		
10	10	12.5	14.5	16.5	18.5		
11	11	13.5	15.5	17.5	19.5		
12	12	14.5	16.5	18.5	20.5		
13	13	15.5	17.5	19.5	21.5		
14	14	16.5	18.5	20.5	22.5		
16	16	18.5	20.5	22.5	24.5		
18	18	20.5	22.5	24.5	26.5		
20	20	22.5	24.5	26.5	28.5		
22	22	24.5	26.5	28.5	30.5		
24	24	26.5	28.5	30.5	32.5		
26	26	28.5	30.5	32.5	34.5		
28	28	30.5	32.5	34.5	36.5		
30	30	32.5	34.5	36.5	38.5		
32	32	34.5	36.5	38.5	40.5		
34	34	36.5	38.5	40.5	42.5		
36	36	38.5	40.5	42.5	44.5		

Includes Locking Band with gear Clamp.

TEE CAPS

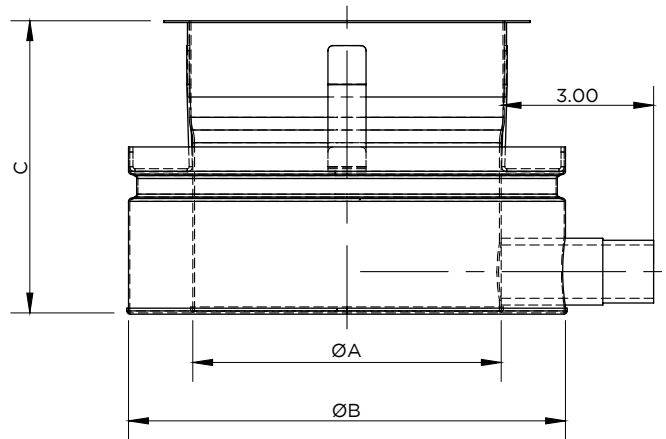
Drain Tee Cap - Bottom / DWFLØ-DCB



Ø	ØA	ØB FL, FL+1	ØB FL+2	ØB FL+3, ZC	ØB FL+4
6	6	8.5	10.5	12.5	14.5
7	7	9.5	11.5	13.5	15.5
8	8	10.5	12.5	14.5	16.5
9	9	11.5	13.5	15.5	17.5
10	10	12.5	14.5	16.5	18.5
11	11	13.5	15.5	17.5	19.5
12	12	14.5	16.5	18.5	20.5
13	13	15.5	17.5	19.5	21.5
14	14	16.5	18.5	20.5	22.5
16	16	18.5	20.5	22.5	24.5
18	18	20.5	22.5	24.5	26.5
20	20	22.5	24.5	26.5	28.5
22	22	24.5	26.5	28.5	30.5
24	24	26.5	28.5	30.5	32.5
26	26	28.5	30.5	32.5	34.5
28	28	30.5	32.5	34.5	36.5
30	30	32.5	34.5	36.5	38.5
32	32	34.5	36.5	38.5	40.5
34	34	36.5	38.5	40.5	42.5
36	36	38.5	40.5	42.5	44.5

Includes Locking Band with gear Clamp

Drain Tee Cap - Side / DWFLØ-DCS

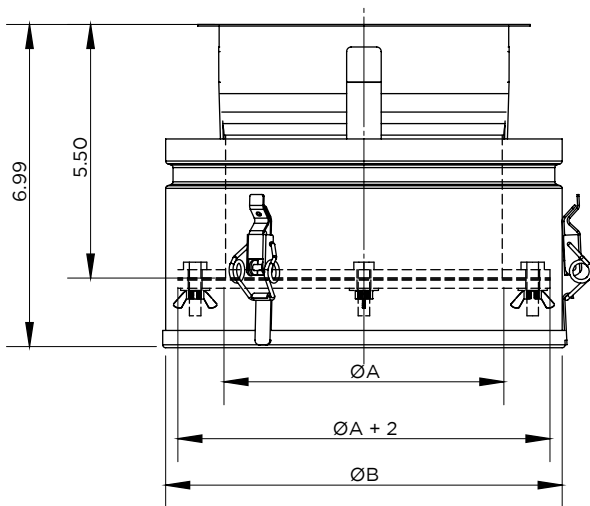


Ø	ØA	ØB FL, FL+1	ØB FL+2	ØB FL+3, ZC	ØB FL+4	C
6	6	8.5	10.5	12.5	14.5	5.75
7	7	9.5	11.5	13.5	15.5	
8	8	10.5	12.5	14.5	16.5	
9	9	11.5	13.5	15.5	17.5	
10	10	12.5	14.5	16.5	18.5	
11	11	13.5	15.5	17.5	19.5	
12	12	14.5	16.5	18.5	20.5	
13	13	15.5	17.5	19.5	21.5	
14	14	16.5	18.5	20.5	22.5	
16	16	18.5	20.5	22.5	24.5	
18	18	20.5	22.5	24.5	26.5	
20	20	22.5	24.5	26.5	28.5	
22	22	24.5	26.5	28.5	30.5	
24	24	26.5	28.5	30.5	32.5	
26	26	28.5	30.5	32.5	34.5	
28	28	30.5	32.5	34.5	36.5	
30	30	32.5	34.5	36.5	38.5	
32	32	34.5	36.5	38.5	40.5	
34	34	36.5	38.5	40.5	42.5	
36	36	38.5	40.5	42.5	44.5	

Includes Locking Band with gear Clamp

TEE CAPS

Tee Cap Access / DWFLØ-TCA

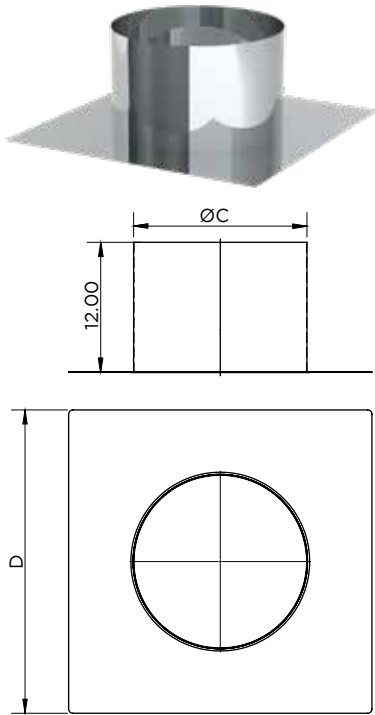


Ø	ØA	ØB FL, FL+1	ØB FL+2	ØB FL+3, ZC	ØB FL+4
6	6	8.5	10.5	12.5	14.5
7	7	9.5	11.5	13.5	15.5
8	8	10.5	12.5	14.5	16.5
9	9	11.5	13.5	15.5	17.5
10	10	12.5	14.5	16.5	18.5
11	11	13.5	15.5	17.5	19.5
12	12	14.5	16.5	18.5	20.5
13	13	15.5	17.5	19.5	21.5
14	14	16.5	18.5	20.5	22.5
16	16	18.5	20.5	22.5	24.5
18	18	20.5	22.5	24.5	26.5
20	20	22.5	24.5	26.5	28.5
22	22	24.5	26.5	28.5	30.5
24	24	26.5	28.5	30.5	32.5
26	26	28.5	30.5	32.5	34.5
28	28	30.5	32.5	34.5	36.5
30	30	32.5	34.5	36.5	38.5
32	32	34.5	36.5	38.5	40.5
34	34	36.5	38.5	40.5	42.5
36	36	38.5	40.5	42.5	44.5

Includes Locking Band with gear Clamp

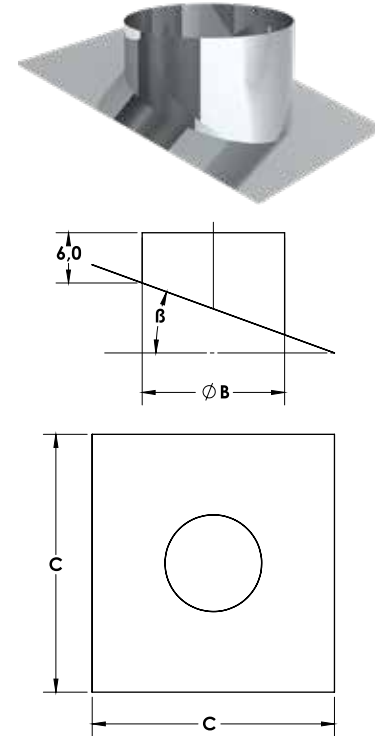
FLASHINGS

Flat Roof Flashing / DWKLØ-FRF



Ø	ØC	D
6	16	28
7	17	29
8	18	30
9	19	31
10	20	32
11	21	33
12	22	34
13	23	35
14	24	36
16	26	38
18	28	40
20	30	42
22	32	44
24	34	46
26	36	48
28	38	50
30	40	52
32	42	54
34	44	56
36	46	58

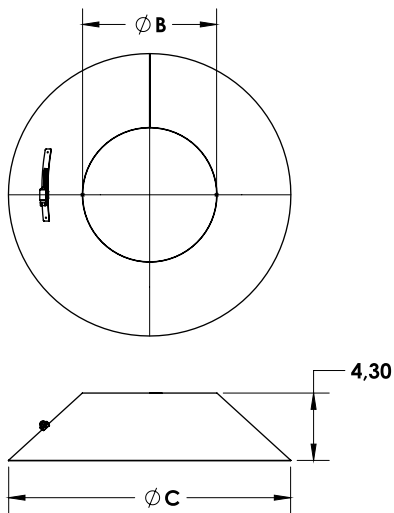
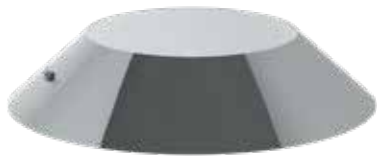
Pitched Roof Flashing / DWKLØ-PRF



Ø	ØB	C	β
6	16	28	Customer Dimension
7	17	29	
8	18	30	
9	19	31	
10	20	32	
11	21	33	
12	22	34	
13	23	35	
14	24	36	
16	26	38	
18	28	40	
20	30	42	
22	32	44	
24	34	46	
26	36	48	
28	38	50	
30	40	52	
32	42	54	
34	44	56	
36	46	58	

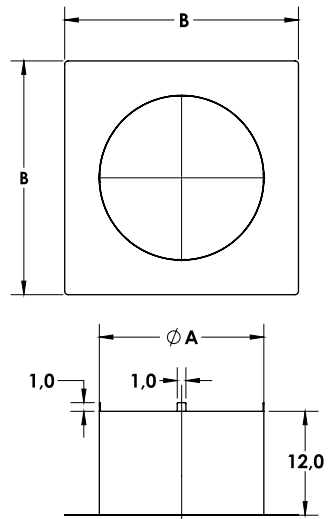
FLASHINGS

Storm Collar / DWKLØ-SC



Ø	ØB	ØC min distance
6	8.5	18
7	9.5	19
8	10.5	20
9	11.5	21
10	12.5	22
11	13.5	23
12	14.5	24
13	15.5	25
14	16.5	26
16	18.5	28
18	20.5	30
20	22.5	32
22	24.5	34
24	26.5	36
26	28.5	38
28	30.5	40
30	32.5	42
32	34.5	44
34	36.5	46
36	38.5	48

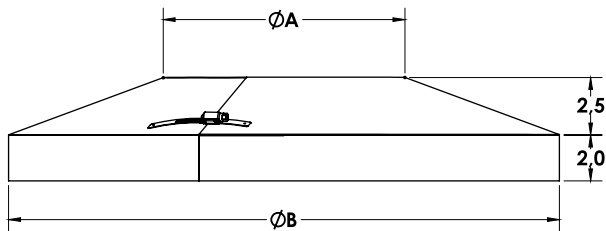
Ventilated Roof Flashing / DWKL-VRF



Ø	ØA	ØB
6	19	27
7	20	28
8	21	29
9	22	30
10	23	31
11	24	32
12	25	33
13	26	34
14	27	35
16	29	37
18	31	39
20	33	41
22	35	43
24	37	45
26	39	47
28	41	49
30	43	51
32	45	53
34	47	55
36	49	57

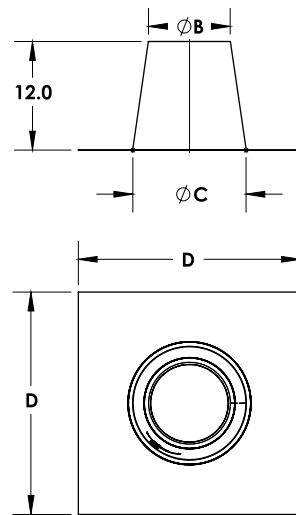
FLASHINGS

Ventilated Storm Collar / DWKL-VSC



Ø	ØA	ØB
6	8.5	22
7	9.5	23
8	10.5	24
9	11.5	25
10	12.5	26
11	13.5	27
12	14.5	28
13	15.5	29
14	16.5	30
16	18.5	32
18	20.5	34
20	22.5	36
22	24.5	38
24	26.5	40
26	28.5	42
28	30.5	44
30	32.5	46
32	34.5	48
34	36.5	50
36	38.5	52

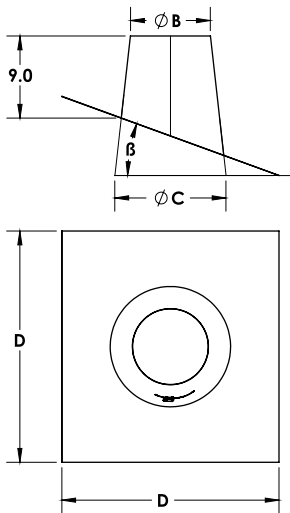
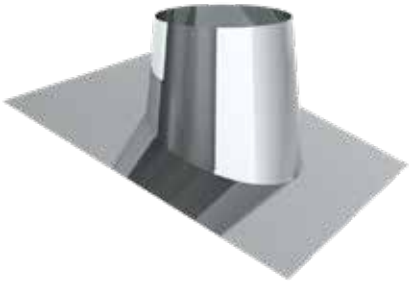
Flat Cone Flashing / DWKL-FCF



Ø	I.D	ØB	ØC
6	6	12.5	24.5
7	7	13.5	25.5
8	8	14.5	26.5
9	9	15.5	27.5
10	10	16.5	28.5
11	11	17.5	29.5
12	12	18.5	30.5
13	13	19.5	31.5
14	14	20.5	32.5
16	16	22.5	34.5
18	18	24.5	36.5
20	20	26.5	38.5
22	22	28.5	40.5
24	24	30.5	42.5
26	26	32.5	44.5
28	28	34.5	46.5
30	30	36.5	48.5
32	32	38.5	50.5
34	34	40.5	52.5
36	36	42.5	54.5

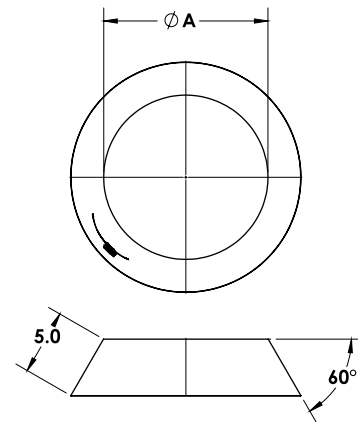
FLASHINGS

Pitched Cone Flashing / DWKL-PCF



\varnothing	$\varnothing B$	$\varnothing C$	$\varnothing D$	β
6	9.5	12.5	24.5	Customer Dimension
7	10.5	13.5	25.5	
8	11.5	14.5	26.5	
9	12.5	15.5	27.5	
10	13.5	16.5	28.5	
11	14.5	17.5	29.5	
12	15.5	18.5	30.5	
13	16.5	19.5	31.5	
14	17.5	20.5	32.5	
16	19.5	22.5	34.5	
18	21.5	24.5	36.5	
20	23.5	26.5	38.5	
22	25.5	28.5	40.5	
24	27.5	30.5	42.5	
26	29.5	32.5	44.5	
28	31.5	34.5	46.5	
30	33.5	36.5	48.5	
32	35.5	38.5	50.5	
34	37.5	40.5	52.5	
36	39.5	42.5	54.5	

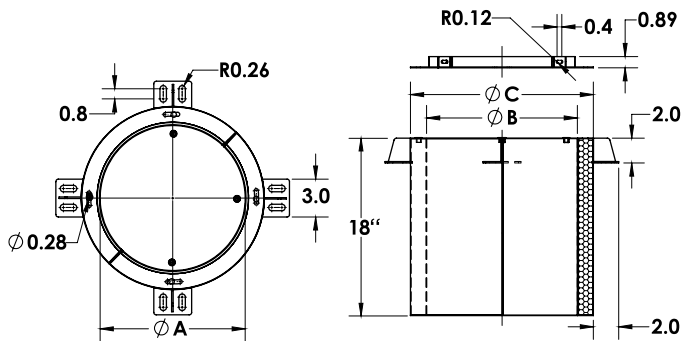
Storm Collar For Coned Flashings / DWKL-SCCF



\varnothing	$\varnothing A$
6	8.5
7	9.5
8	10.5
9	11.5
10	12.5
11	13.5
12	14.5
13	15.5
14	16.5
16	18.5
18	20.5
20	22.5
22	24.5
24	26.5
26	28.5
28	30.5
30	32.5
32	34.5
34	36.5
36	38.5

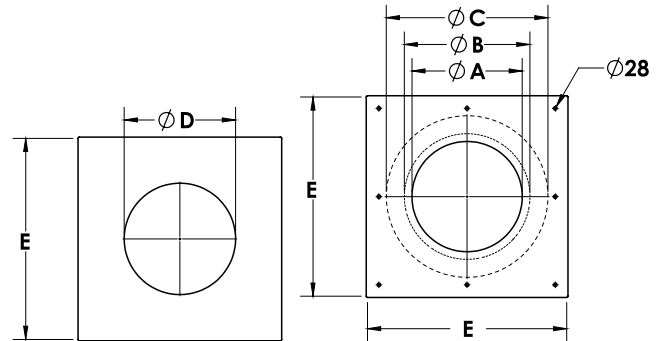
FLASHINGS

High Temperature Insulated Thimble / ØDWKL-HTT



Ø	ØA	ØB	ØC
6	8.5	9	11.5
7	9.5	10	12.5
8	10.5	11	13.5
9	11.5	12	14.5
10	12.5	13	15.5
11	13.5	14	16.5
12	14.5	15	17.5
13	15.5	16	18.5
14	16.5	17	19.5
16	18.5	19	21.5
18	20.5	21	23.5
20	22.5	23	25.5
22	24.5	25	27.5
24	26.5	27	29.5
26	28.5	29	31.5
28	30.5	31	33.5
30	32.5	33	35.5
32	34.5	35	37.5
34	36.5	38	39.5
36	38.5	39	41.5

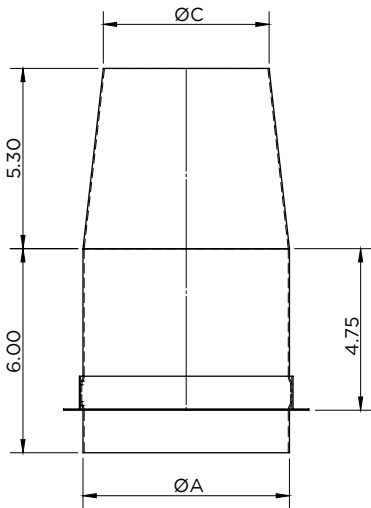
Low Temperature Thimble / DWKL-LTT



Ø	I.D	ØA	ØB	ØC	ØD	ØE
6	6					
7	7					
8	8					
9	9					
10	10					
11	11					
12	12					
13	13					
14	14					
16	16	I.D + 2.75				
18	18		I.D + 4"			
20	20			I.D + 6.5		
22	22				I.D + 5.5	
24	24					
26	26					
28	28					
30	30					
32	32					
34	34					
36	36					

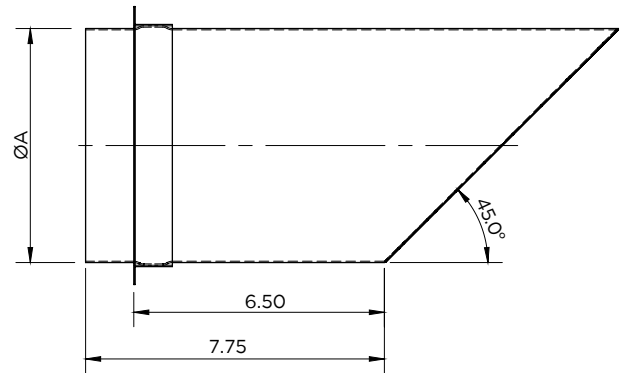
TERMINATIONS

Exit Cone / DWFLØ-EC



Ø	ØA	ØC
6	6	4.87
7	7	5.69
8	8	6.5
9	9	7.31
10	10	8.12
11	11	8.94
12	12	9.75
13	13	10.56
14	14	11.37
16	16	13
18	18	14.62
20	20	16.25
22	22	16.25
24	24	19.5
26	26	21.12
28	28	22.75
30	30	24.37
32	32	26
34	34	27.62
36	36	29.25

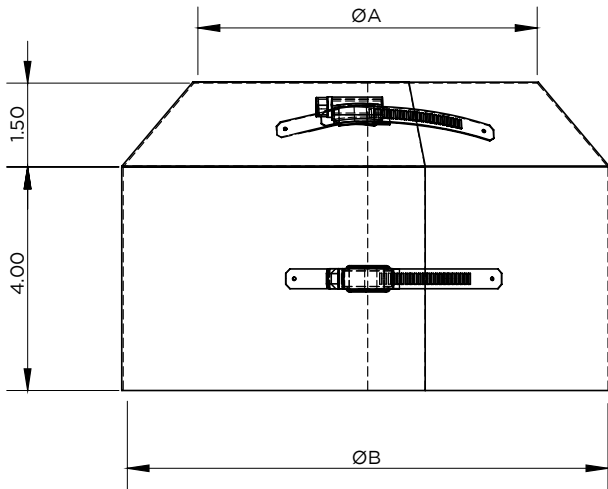
Miter Cut Termination / DWFLØ-MCS



Ø	ØA
6	6
7	7
8	8
9	9
10	10
11	11
12	12
13	13
14	14
16	16
18	18
20	20
22	22
24	24
26	26
28	28
30	30
32	32
34	34
36	36

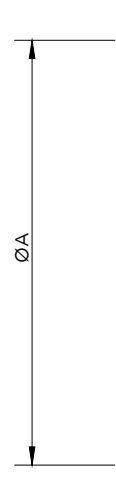
TERMINATIONS

Opened Termination / DWFLØ-FB



Ø	ØA	ØB FL, FL+1	ØB FL+2	ØB FL+3, ZC	ØB FL+4
6	6	8.5	10.5	12.5	14.5
7	7	9.5	11.5	13.5	15.5
8	8	10.5	12.5	14.5	16.5
9	9	11.5	13.5	15.5	17.5
10	10	12.5	14.5	16.5	18.5
11	11	13.5	15.5	17.5	19.5
12	12	14.5	16.5	18.5	20.5
13	13	15.5	17.5	19.5	21.5
14	14	16.5	18.5	20.5	22.5
16	16	18.5	20.5	22.5	24.5
18	18	20.5	22.5	24.5	26.5
20	20	22.5	24.5	26.5	28.5
22	22	24.5	26.5	28.5	30.5
24	24	26.5	28.5	30.5	32.5
26	26	28.5	30.5	32.5	34.5
28	28	30.5	32.5	34.5	36.5
30	30	32.5	34.5	36.5	38.5
32	32	34.5	36.5	38.5	40.5
34	34	36.5	38.5	40.5	42.5
36	36	38.5	40.5	42.5	44.5

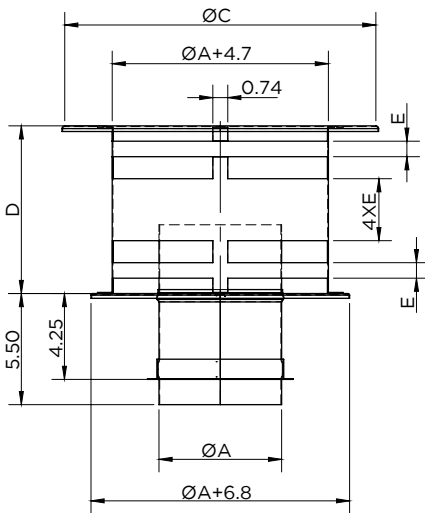
Opened Termination with Screen / DWFLØ-OTS



Ø	ØA
6	6
7	7
8	8
9	9
10	10
11	11
12	12
13	13
14	14
16	16
18	18
20	20
22	22
24	24
26	26
28	28
30	30
32	32
34	34
36	36

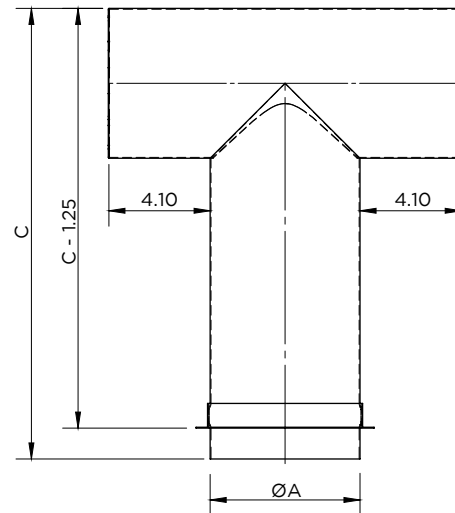
TERMINATIONS

High Wind Rain Cap / DWFLØ-WRC



Ø	ØA	ØC	D	E
6	6	15.40	8.50	0.77
7	7	17.30	9.00	0.85
8	8	20.00	9.50	0.9
9	9	22.00	10.00	0.96
10	10	24.00	10.80	1.05
11	11	26.00	11.3	1.11
12	12	28.00	11.80	1.1
13	13	30	12	1.13
14	14	31.5	12.5	1.19
16	16	35	13	1.25
18	18	37	13.2	1.29
20	20	39	13.5	1.33
22	22	41	14	1.39
24	24	44	14.3	1.43
26	26	47	14.6	1.43
28	28	50	15	1.48
30	30	52	15.3	1.52
32	32	55	15.8	1.58
34	34	58	16.2	1.62
36	36	61	16.7	1.68

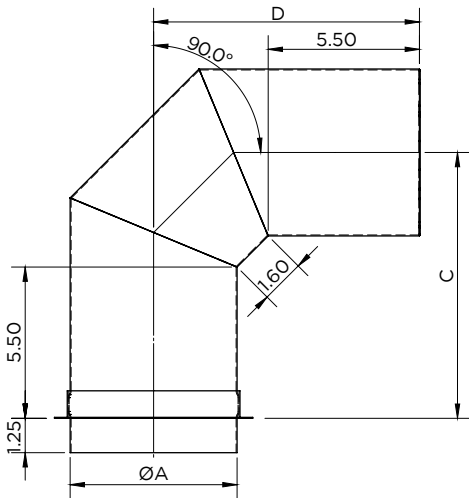
Tee Termination w/Screen / DWFLØ-90TT



Ø	ØA	C
6	6	18.25
7	7	19.25
8	8	20.25
9	9	21.25
10	10	22.25
11	11	23.25
12	12	24.25
13	13	25.25
14	14	26.25
16	16	28.25
18	18	30.25
20	20	32.25
22	22	34.25
24	24	36.25
26	26	38.25
28	28	40.25
30	30	42.25
32	32	44.25
34	34	46.25
36	36	48.25

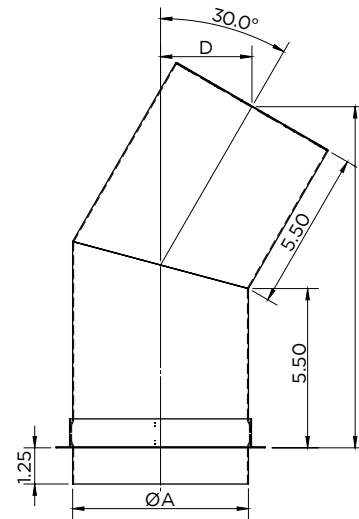
TERMINATIONS

90° Elbow Termination with Screen / DWFLØ-90ET



Ø	ØA	C	D
6	6	9.67	9.67
7	7	10.17	10.17
8	8	10.67	10.67
9	9	11.17	11.17
10	10	11.67	11.67
11	11	12.17	12.17
12	12	12.67	12.67
13	13	13.17	13.17
14	14	13.67	13.67
16	16	14.67	14.67
18	18	15.67	15.67
20	20	16.67	16.67
22	22	17.67	17.67
24	24	18.67	18.67
26	26	19.67	19.67
28	28	20.67	20.67
30	30	21.67	21.67
32	32	22.67	22.67
34	34	23.67	23.67
36	36	24.67	24.67

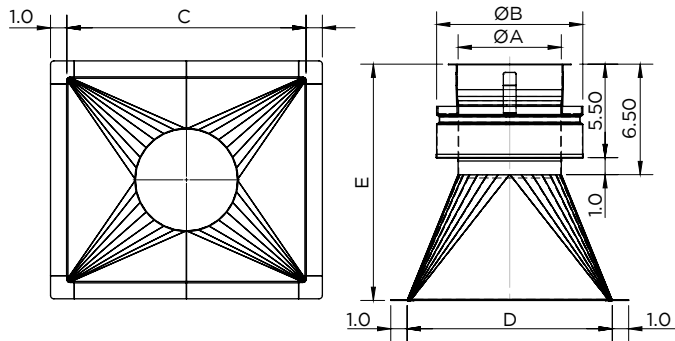
30° Elbow Termination with Screen / DWFLØ-30ET



Ø	ØA	C	D
6	6	11.78	3.16
7	7	12.03	3.22
8	8	12.28	3.29
9	9	12.53	3.36
10	10	12.78	3.43
11	11	13.03	3.49
12	12	13.28	3.56
13	13	13.53	3.63
14	14	13.78	3.69
16	16	14.28	3.83
18	18	14.78	3.96
20	20	15.28	4.09
22	22	15.78	4.23
24	24	16.28	4.36
26	26	16.78	4.5
28	28	17.28	4.63
30	30	17.78	4.76
32	32	18.28	4.9
34	34	18.78	5.03
36	36	19.28	5.17

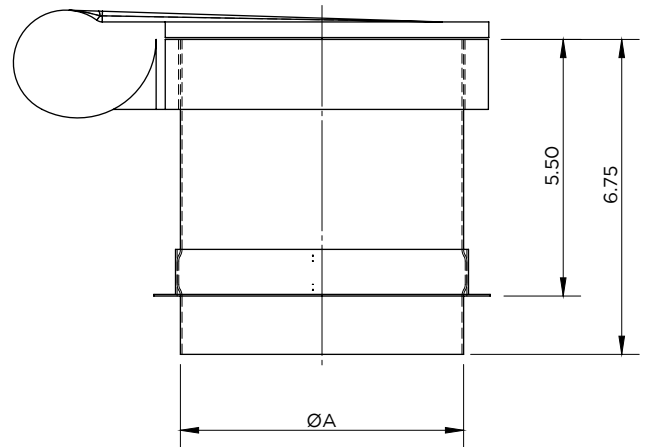
TERMINATIONS

Transition to Round - Start / DWFLØ-STR



Ø	ØA	ØB	C	D	E
6	6	8.5	Customer Dimension	Customer Dimension	Customer Dimension
7	7	9.5			
8	8	10.5			
9	9	11.5			
10	10	12.5			
11	11	13.5			
12	12	14.5			
13	13	15.5			
14	14	16.5			
16	16	18.5			
18	18	20.5			
20	20	22.5			
22	22	24.5			
24	24	26.5			
26	26	28.5			
28	28	30.5			
30	30	32.5			
32	32	34.5			
34	34	36.5			
36	36	38.5			

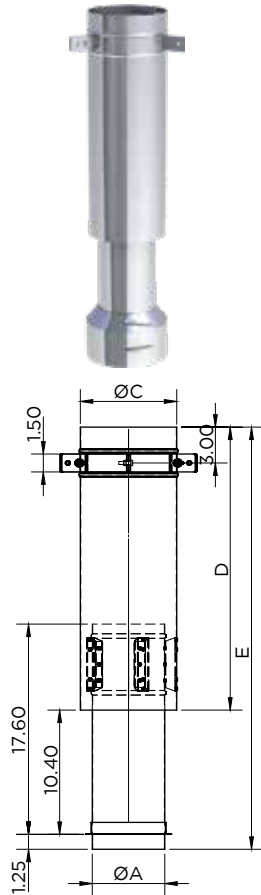
Engine Flip Top / DWFLØ-EFT



Ø	ØA
6	6
7	7
8	8
9	9
10	10
11	11
12	12
13	13
14	14
16	16
18	18
20	20
22	22

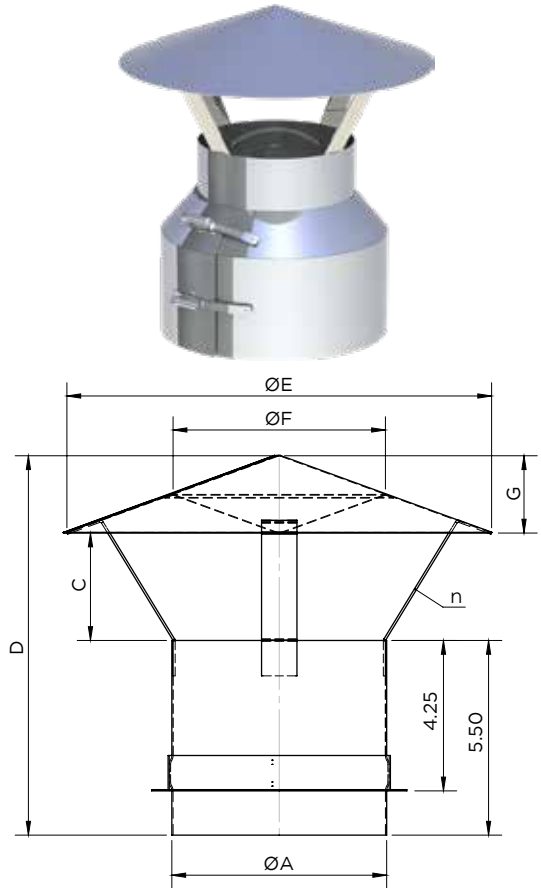
TERMINATIONS

No-Loss Weather Head / DWFLØ-NLWH



Ø	ØA	ØC	D	E
6	6	8.07	23.69	35.34
7	7	9.07	27.69	39.34
8	8	10.07	31.69	43.34
9	9	12.07	39.44	51.09
10	10	14.07	47.44	59.09
11	11	15.07	47.44	59.09
12	12	16.07	52.94	64.59
13	13	17.07	52.94	64.59
14	14	18.07	61.94	73.59
16	16	20.07		82.59
18	18	22.07		82.59
20	20	24.07	70.94	82.59
22	22	26.07		82.59
24	24	28.07		82.59
26	26	30.07		84.59
28	28	32.07	72.94	84.59
30	30	34.07		84.59
32	32	36.07		84.59
34	34	38.07	73.94	85.59
36	36	40.07	73.94	85.59

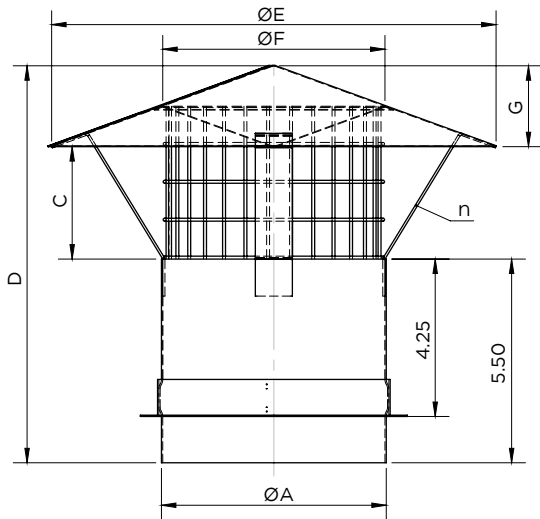
Stack Cap / DWFLØ-SCN



Ø	ØA	C	D	ØE	ØF	G
6	6	3.04	10.72	12	6	2.18
7	7	3.53	11.95	16	8	2.91
8	8	4.04	12.45	16	8	2.91
9	9	4.53	13.67	20	10	3.64
10	10	5.03	14.17	20	10	3.64
11	11	5.54	15.77	26	13	4.73
12	12	6.03	16.27	26	13	4.73
13	13	6.54	16.77	26	13	4.73
14	14	7.03	18.36	32	16	5.82
16	16	8.04	19.36	32	16	5.82
18	18	9.04	21.09	36	18	6.55
20	20	10.04	22.81	40	20	7.28
22	22	11.03	24.54	44	22	8.01
24	24	12.03	26.27	48	24	8.74
26	26	13.04	28	52	26	9.46
28	28	14.04	29.73	56	28	10.19
30	30	15.04	31.45	60	30	10.92
32	32	16.03	33.18	64	32	11.65
34	34	17.03	34.91	68	34	12.37
36	36	18.03	36.64	72	36	13.1

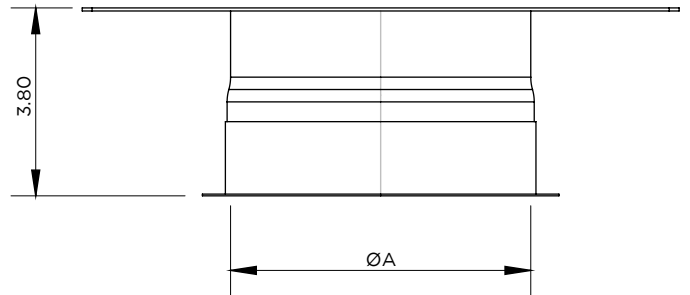
TERMINATIONS

Stack Cap with Screen / DWFLØ-SCS



Ø	ØA	C	D	ØE	ØF	G
6	6	3.04	10.72	12	6	2.18
7	7	3.53	11.95	16	8	2.91
8	8	4.04	12.45	16	8	2.91
9	9	4.53	13.67	20	10	3.64
10	10	5.03	14.17	20	10	3.64
11	11	5.54	15.77	26	13	4.73
12	12	6.03	16.27	26	13	4.73
13	13	6.54	16.77	26	13	4.73
14	14	7.03	18.36	32	16	5.82
16	16	8.04	19.36	32	16	5.82
18	18	9.04	21.09	36	18	6.55
20	20	10.04	22.81	40	20	7.28
22	22	11.03	24.54	44	22	8.01
24	24	12.03	26.27	48	24	8.74
26	26	13.04	28	52	26	9.46
28	28	14.04	29.73	56	28	10.19
30	30	15.04	31.45	60	30	10.92
32	32	16.03	33.18	64	32	11.65
34	34	17.03	34.91	68	34	12.37
36	36	18.03	36.64	72	36	13.1

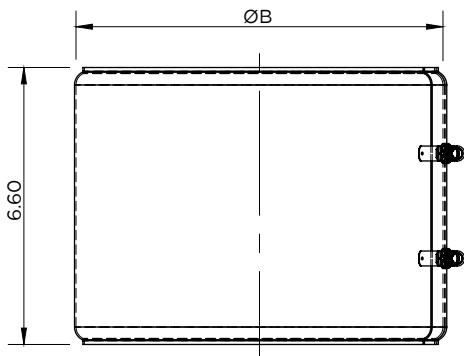
Fan plate adapter / DWFLØ-FP



Ø	ØA	C
6	6	Customer Dimension
7	7	
8	8	
9	9	
10	10	
11	11	
12	12	
13	13	
14	14	
16	16	
18	18	
20	20	
22	22	
24	24	
26	26	
28	28	
30	30	
32	32	
34	34	
36	36	

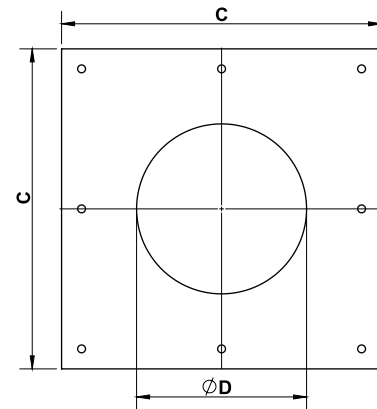
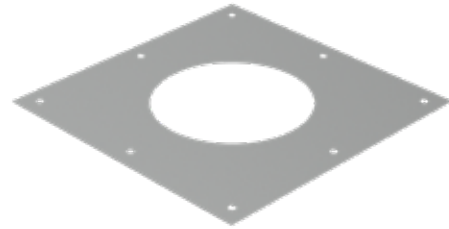
ACCESSORIES

Locking Band / DWFLØ-LB



Ø	ØB
6	8.5
7	9.5
8	10.5
9	11.5
10	12.5
11	13.5
12	14.5
13	15.5
14	16.5
16	18.5
18	20.5
20	22.5
22	24.5
24	26.5
26	28.5
28	30.5
30	32.5
32	34.5
34	36.5
36	38.5

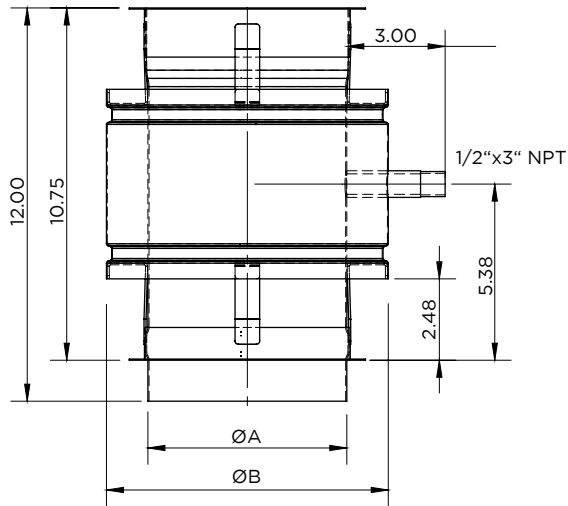
Firestop plate for GOV / DWFLØ-FS



Ø	C	ØD
6	16	9.1
7	17	10.1
8	18	11.1
9	19	12.1
10	20	13.1
11	21	14.1
12	22	15.1
13	23	16.1
14	24	17.1
16	26	19.1
18	28	21.1
20	30	23.1
22	32	25.1
24	34	27.1
26	36	29.1
28	38	31.1
30	40	33.1
32	42	35.1
34	44	37.1
36	46	39.1

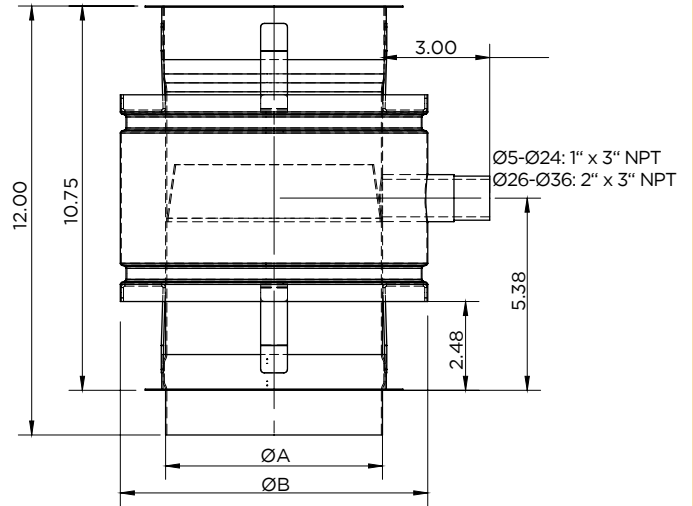
ACCESSORIES

Test and Nozzle Port Length / DWFLØ-TPL



Ø	ØA	ØB FL, FL+1	ØB FL+2	ØB FL+3, ZC	ØB FL+4
6	6	8.5	10.5	12.5	14.5
7	7	9.5	11.5	13.5	15.5
8	8	10.5	12.5	14.5	16.5
9	9	11.5	13.5	15.5	17.5
10	10	12.5	14.5	16.5	18.5
11	11	13.5	15.5	17.5	19.5
12	12	14.5	16.5	18.5	20.5
13	13	15.5	17.5	19.5	21.5
14	14	16.5	18.5	20.5	22.5
16	16	18.5	20.5	22.5	24.5
18	18	20.5	22.5	24.5	26.5
20	20	22.5	24.5	26.5	28.5
22	22	24.5	26.5	28.5	30.5
24	24	26.5	28.5	30.5	32.5
26	26	28.5	30.5	32.5	34.5
28	28	30.5	32.5	34.5	36.5
30	30	32.5	34.5	36.5	38.5
32	32	34.5	36.5	38.5	40.5
34	34	36.5	38.5	40.5	42.5
36	36	38.5	40.5	42.5	44.5

Universal Drain Length / DWFLØ-UDL

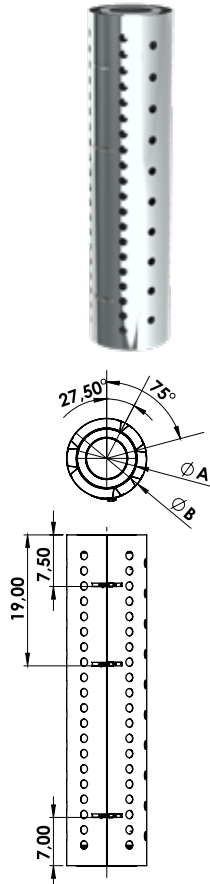


Ø	ØA	ØB FL, FL+1	ØB FL+2	ØB FL+3, ZC	ØB FL+4
6	6	8.5	10.5	12.5	14.5
7	7	9.5	11.5	13.5	15.5
8	8	10.5	12.5	14.5	16.5
9	9	11.5	13.5	15.5	17.5
10	10	12.5	14.5	16.5	18.5
11	11	13.5	15.5	17.5	19.5
12	12	14.5	16.5	18.5	20.5
13	13	15.5	17.5	19.5	21.5
14	14	16.5	18.5	20.5	22.5
16	16	18.5	20.5	22.5	24.5
18	18	20.5	22.5	24.5	26.5
20	20	22.5	24.5	26.5	28.5
22	22	24.5	26.5	28.5	30.5
24	24	26.5	28.5	30.5	32.5
26	26	28.5	30.5	32.5	34.5
28	28	30.5	32.5	34.5	36.5
30	30	32.5	34.5	36.5	38.5
32	32	34.5	36.5	38.5	40.5
34	34	36.5	38.5	40.5	42.5
36	36	38.5	40.5	42.5	44.5

Includes Locking Band with gear Clamp.

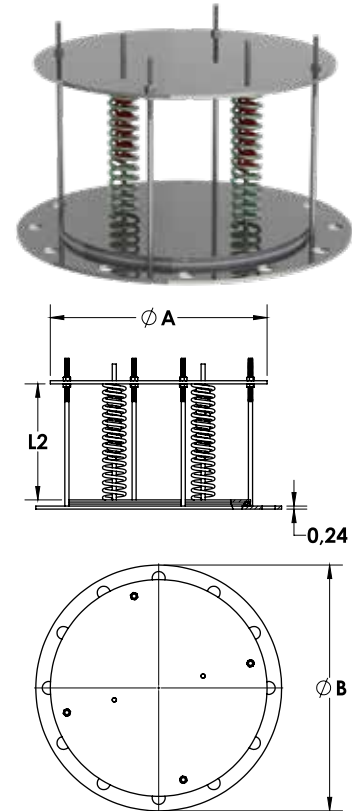
ACCESSORIES

Heat Shield for DWFL / HSDW



Ø	ØA	ØB	t	Sq. In. Opening	Standoffs
6	8.5	Ø A + 3"	0.025	124.3	9
7	9.5			158.2	
8	10.5			158.2	
9	11.5			192.1	
10	12.5			192.1	
11	13.5			192.1	
12	14.5			226	
13	15.5			226	
14	16.5			259.9	
16	18.5			293.8	12
18	20.5			293.8	
20	22.5			327.7	
22	24.5	361.6			
24	26.5	361.6			
26	28.5				
28	30.5				
30	32.5				
32	34.5				
34	36.5				
36	38.5				

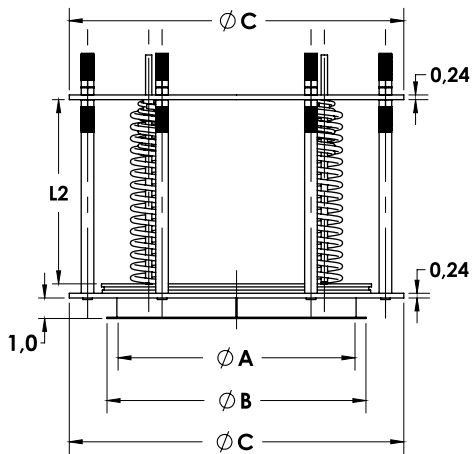
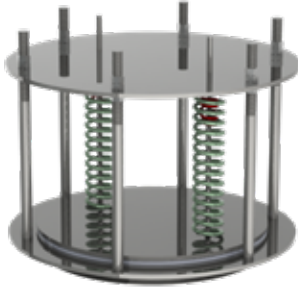
Pressure Relief Valve ANSI Flange / DWKLØ-PRV



Ø	ØA	ØB	L2
3	6.5	7.5	10.69
4	7.5	9	10.48
5	8.5	10	10.20
6	9.5	11	9.86
8	12.5	13.5	9.06
10	14	16	7.97
12	16.5	19	8.89
14	18.5	21	8.45
16	20.5	23.5	8.79
18	22.5	25	8.20
20	24.5	27.5	7.53
24	28.5	32	7.26

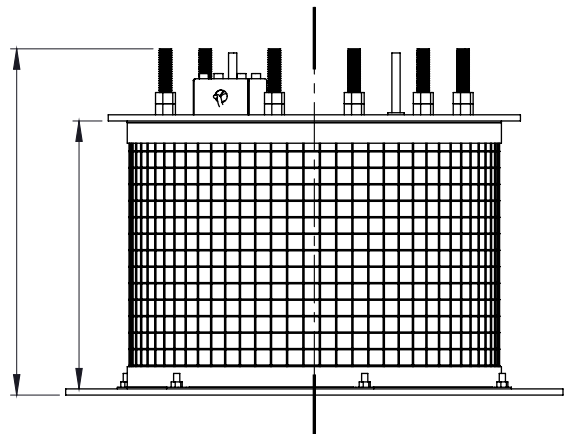
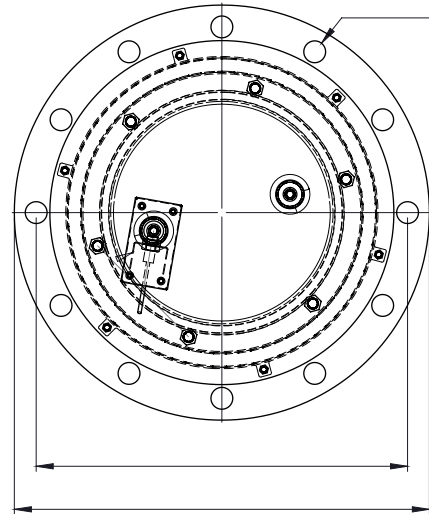
ACCESSORIES

Pressure Relive Valve with Rolled Flange / DWKLØ-PRVR



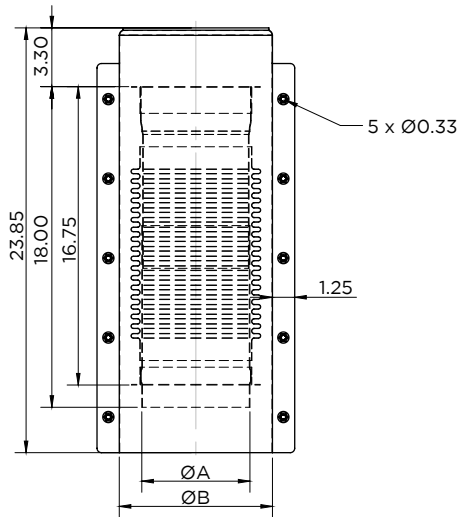
Ø	ØA	ØB	ØC	L2
3	3	4	6.5	10.69
4	4	5	7.5	10.48
5	5	6	8.5	10.20
6	6	7	9.5	9.86
8	8	9	12.5	9.06
10	10	11	14	7.97
12	12	13	16.5	8.89
14	14	15	18.5	8.45
16	16	17	20.5	8.79
18	18	19	22.5	8.20
20	20	21	24.5	7.53
24	24	25	28.5	7.26

Flame Retardant Pressure Relive Valve / DWKLØ-PRVF



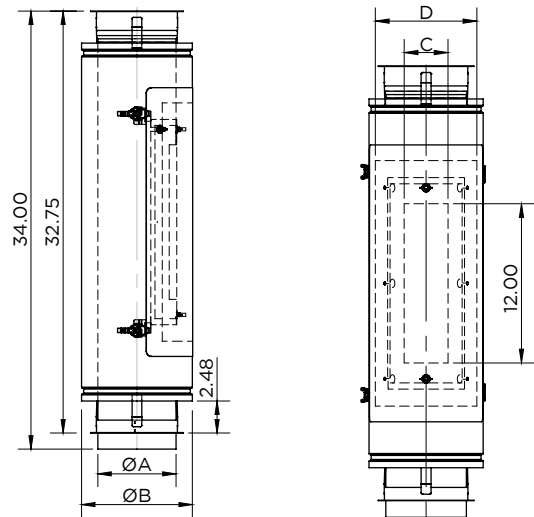
ACCESSORIES

18" Lined Bellows Length / DWFLØ-LBL



Ø	ØA	ØB
6	6	8.5
7	7	9.5
8	8	10.5
9	9	11.5
10	10	12.5
11	11	13.5
12	12	14.5
13	13	15.5
14	14	16.5
16	16	18.5
18	18	20.5
20	20	22.5
22	22	24.5
24	24	26.5
26	26	28.5
28	28	30.5
30	30	32.5
32	32	34.5
34	34	36.5
36	36	38.5

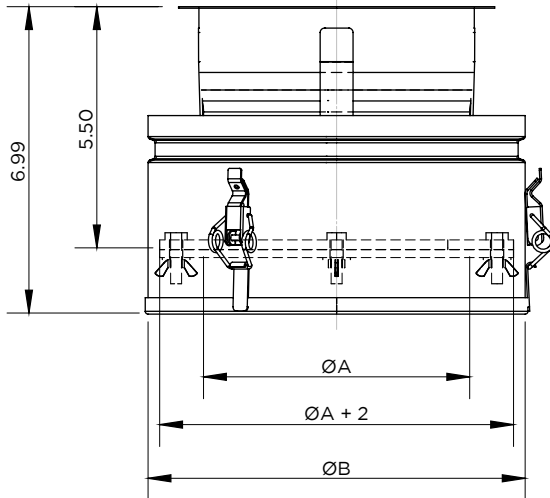
Inline Access Door Length / DWFLØ-IAD



Ø	ØA	ØB	ØC	ØD
6	6	8.5	3.3	8.5
7	7	9.5	3.3	9.5
8	8	10.5	3.4	10.5
9	9	11.5	3.4	11.5
10	10	12.5	5.5	12.5
11	11	13.5	5.5	13.5
12	12	14.5	5.5	14.5
13	13	15.5	5.5	15.5
14	14	16.5	5.7	16.5
16	16	18.5	5.7	18.5
18	18	20.5	5.8	20.5
20	20	22.5	8.7	22.5
22	22	24.5	8.8	24.5
24	24	26.5	8.8	26.5
26	26	28.5	10.7	28.5
28	28	30.5	10.8	30.5
30	30	32.5	10.8	32.5
32	32	34.5	13.7	34.5
34	34	36.5	13.8	36.5
36	36	38.5	13.8	38.5

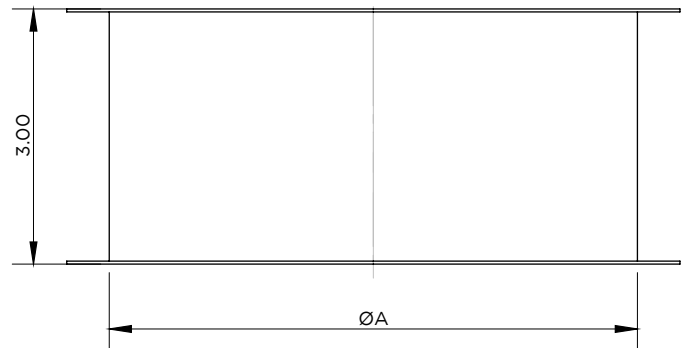
ACCESSORIES

Grease Tee Cap Access / DWFLØ-GTCA



Ø	ØA	ØB
6	6	8.5
7	7	9.5
8	8	10.5
9	9	11.5
10	10	12.5
11	11	13.5
12	12	14.5
13	13	15.5
14	14	16.5
16	16	18.5
18	18	20.5
20	20	22.5
22	22	24.5
24	24	26.5
26	26	28.5
28	28	30.5
30	30	32.5
32	32	34.5
34	34	36.5
36	36	38.5

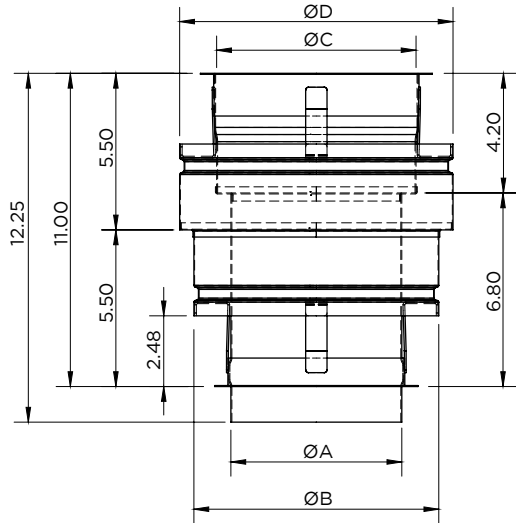
Flange Collar Adapter / DWFLØ-FC



Ø	ØA	ØB
6	6	8.5
7	7	9.5
8	8	10.5
9	9	11.5
10	10	12.5
11	11	13.5
12	12	14.5
13	13	15.5
14	14	16.5
16	16	18.5
18	18	20.5
20	20	22.5
22	22	24.5
24	24	26.5
26	26	28.5
28	28	30.5
30	30	32.5
32	32	34.5
34	34	36.5
36	36	38.5

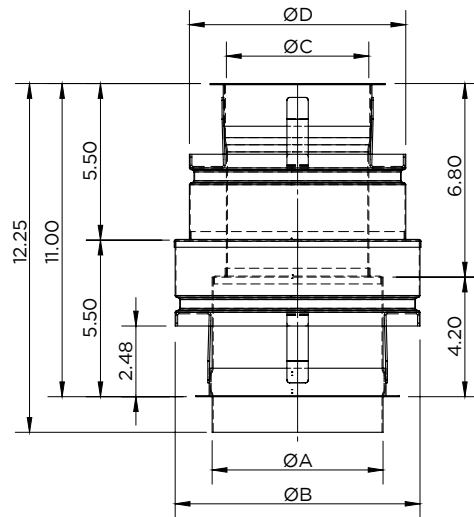
ACCESSORIES

Stepped Inserter / DWFLØ-SI



Ø	ØA	ØB	C	D
6	6	8.5	Customer Dimension	Customer Dimension
7	7	9.5		
8	8	10.5		
9	9	11.5		
10	10	12.5		
11	11	13.5		
12	12	14.5		
13	13	15.5		
14	14	16.5		
16	16	18.5		
18	18	20.5		
20	20	22.5		
22	22	24.5		
24	24	26.5		
26	26	28.5		
28	28	30.5		
30	30	32.5		
32	32	34.5		
34	34	36.5		
36	36	38.5		

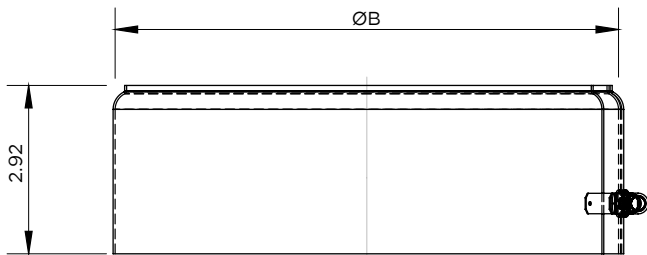
Stepped Reducer / DWFLØ-SR



Ø	ØA	ØB	C	D
6	6	8.5	Customer Dimension	Customer Dimension
7	7	9.5		
8	8	10.5		
9	9	11.5		
10	10	12.5		
11	11	13.5		
12	12	14.5		
13	13	15.5		
14	14	16.5		
16	16	18.5		
18	18	20.5		
20	20	22.5		
22	22	24.5		
24	24	26.5		
26	26	28.5		
28	28	30.5		
30	30	32.5		
32	32	34.5		
34	34	36.5		
36	36	38.5		

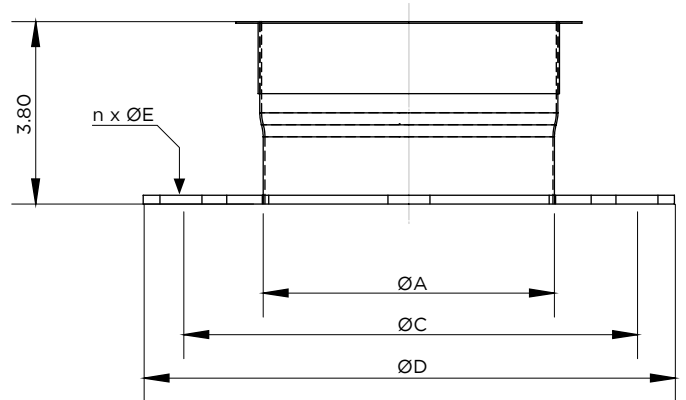
ACCESSORIES

Half Locking Band / DWFLØ-HLB



Ø	ØB
6	8.5
7	9.5
8	10.5
9	11.5
10	12.5
11	13.5
12	14.5
13	15.5
14	16.5
16	18.5
18	20.5
20	22.5
22	24.5
24	26.5
26	28.5
28	30.5
30	32.5
32	34.5
34	36.5
36	38.5

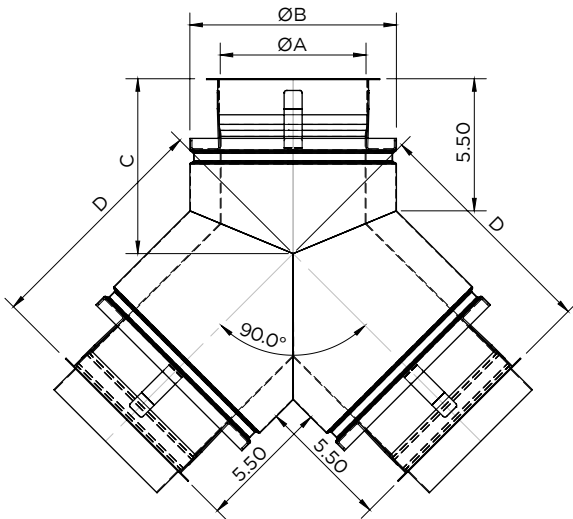
125/150 Lb. ANSI Flange / DWFLØ-AF



Ø	ØA	ØC	ØD	ØE
6	6	9.5	11.07	0.87
7	7	11.75	13.5	0.87
8	8	11.75	13.5	0.87
9	9	14.25	16	1
10	10	14.25	16	1
11	11	17	19	1
12	12	17	19	1
13	13	18.75	21	1.13
14	14	18.75	21	1.13
16	16	21.25	23.5	1.13
18	18	22.75	25	1.25
20	20	25	27.5	1.25
22	22	29.5	32	1.37
24	24	29.5	32	1.37
26	26	36	38.75	1.37
28	28	36	38.75	1.37
30	30	36	38.75	1.37
32	32	42.75	46	1.62
34	34	42.75	46	1.62
36	36	42.75	46	1.62

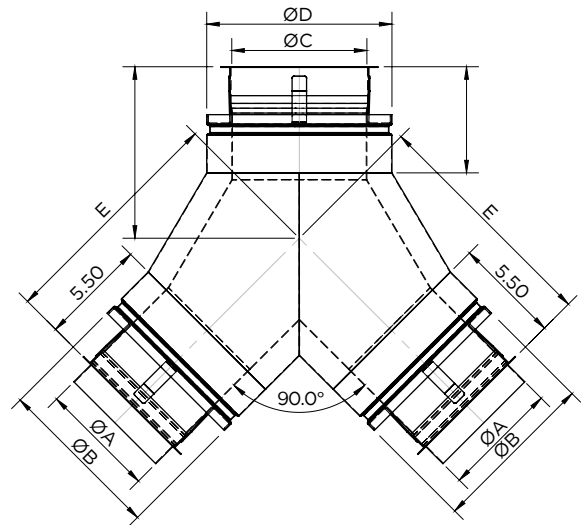
ACCESSORIES

90° Wye Tee / DWFLØ-90WT



Ø	ØA	ØB	C	D
6	6	8.5	7.28	9.8
7	7	9.5	7.49	10.3
8	8	10.5	7.7	10.8
9	9	11.5	7.9	11.3
10	10	12.5	8.11	11.8
11	11	13.5	8.32	12.3
12	12	14.5	8.53	12.8
13	13	15.5	8.73	13.3
14	14	16.5	8.94	13.8
16	16	18.5	9.35	14.8
18	18	20.5	9.77	15.8
20	20	22.5	10.18	16.8
22	22	24.5	10.6	17.8
24	24	26.5	11.01	18.8
26	26	28.5	11.43	19.8
28	28	30.5	11.84	20.8
30	30	32.5	12.25	21.8
32	32	34.5	12.67	22.8
34	34	36.5	13.08	23.8
36	36	38.5	13.5	24.8

90° Reduction Wye Tee / DWFLØ-90WTØ



Ø	ØA	ØB	ØC	ØD	E	F
6	6	8.5				
7	7	9.5				
8	8	10.5				
9	9	11.5				
10	10	12.5				
11	11	13.5				
12	12	14.5				
13	13	15.5				
14	14	16.5				
16	16	18.5				
18	18	20.5				
20	20	22.5				
22	22	24.5				
24	24	26.5				
26	26	28.5				
28	28	30.5				
30	30	32.5				
32	32	34.5				
34	34	36.5				
36	36	38.5				
			Customer Dimension	Customer Dimension	Customer Dimension	Customer Dimension

PRODUCTION SITES

USA

Jeremias Inc.
983 Industrial Park Drive
Marietta, GA 30062, USA
phone: +1 678 388 2740
e-mail: info@jeremiasinc.com
www.jeremiasinc.com

GERMANY

www.jeremias.de

POLAND

www.jeremias.pl

SPAIN

www.jeremias.com.es

RUSSIA

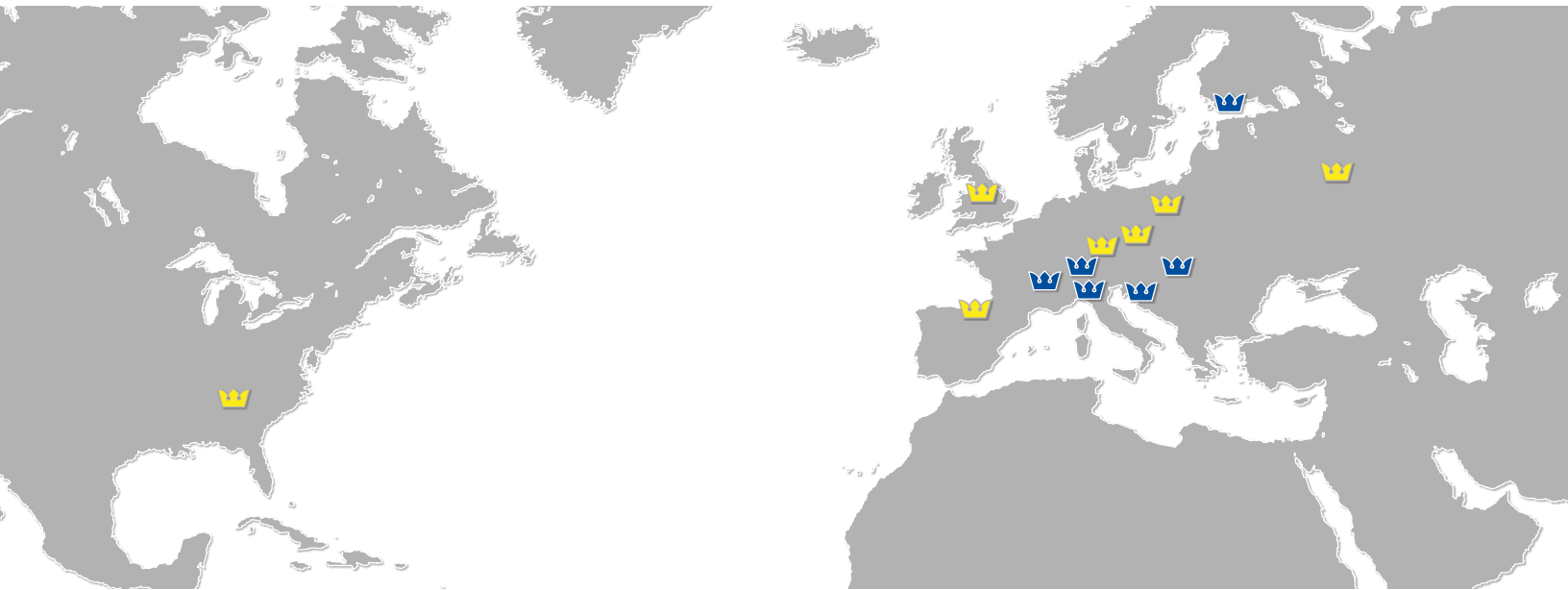
www.jeremias.ru

CZECH REPUBLIC

www.jeremias.cz

UNITED KINGDOM

www.jeremias.uk



SALES OFFICES

FRANCE

www.jeremias-france.fr

HUNGARY

www.jeremias.hu

CROATIA

www.jeremias.hr

FINLAND

www.jeremias.fi

SWITZERLAND

www.jeremias-schweiz.ch

ITALY

www.jeremias.it

JEREMIAS IS REPRESENTED IN THE FOLLOWING COUNTRIES:

Austria | Belarus | Belgium | Bulgaria | Brazil | Denmark | Estonia | Hong Kong | Ireland | Kazakhstan | Latvia | Lithuania | Luxembourg | Malta | Netherlands | Norway | Portugal | Romania | Saudi Arabia | Serbia | Singapore | Slovakia | Slovenia | South Africa | Sweden | Tunisia | UAE | Ukraine

The expert in your area:

Jeremias high quality products to be installed only by selected experts.