



COMMERCIAL CHIMNEY LINING SYSTEMS



COMMERCIAL CHIMNEY LINING

If an existing chimney is showing signs of wear and tear due to its age or no longer fulfills the requirements of a modern heating system, then a restoration of the chimney is necessary.

Usage of a modern heating system in combination with an old chimney leads to soot in the chimney as its cross section is too big for the low temperature flue. The acid condensate corrodes the chimney bricks as they are not made to withstand the side effects of modern flue systems.

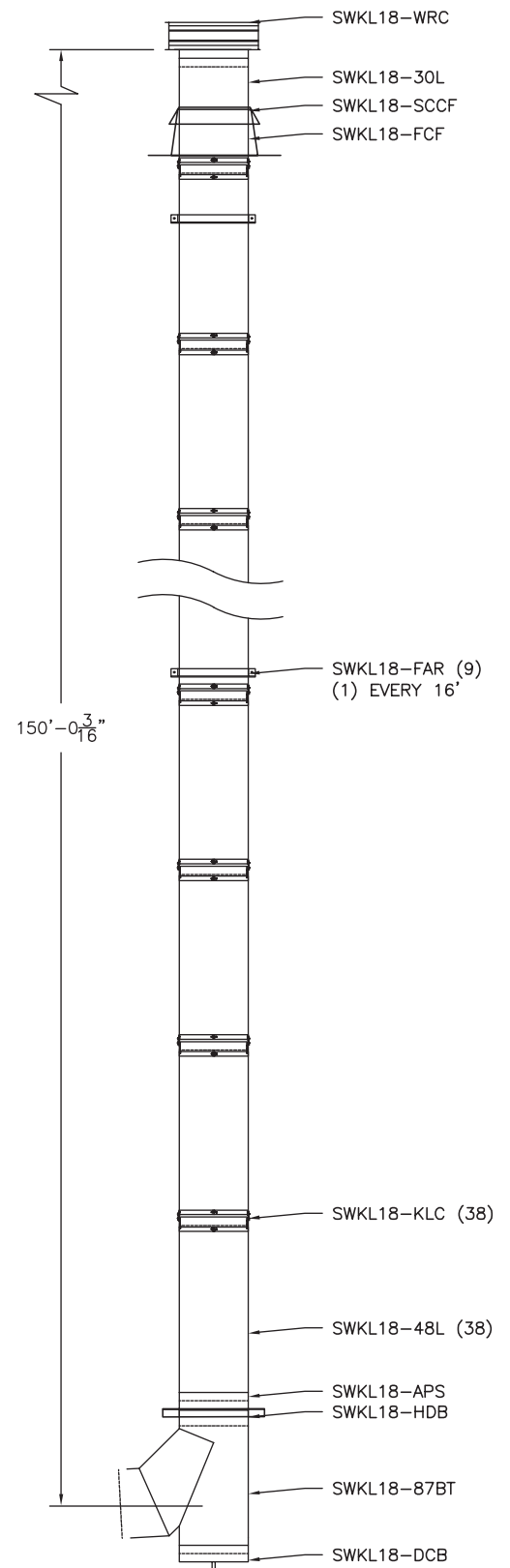
A restoration of the chimney system is made by introduction of a stainless steel liner which offers a pressure tight and corrosion proof flue.

In general there are three main options to install a new single wall chimney:

- A SWKL Conical system (with or without KLC Clamps) or the SWFL/SWCK overlapping systems with factory supplied sealant and bands for installing from the top down
- Long factory welded sections to fit down from top by crane
- Short factory welded flange systems for installation from the chimney base.

The choice of the flue system depends on the type of appliance, and a sizing should be performed by an expert.

Our designers at Jeremias are the venting experts. Please do not hesitate to contact us in order to plan your chimney lining project!





1. ASSEMBLY FROM TOP DOWN

SWKL (WITH OR WITHOUT KLC KL CLAMPS) OR SWFL / SWCK

The easiest and most common way of chimney lining! It starts at the top of the chimney by joining a Tee with Tee Cap and a first length element of our system SWKL which is pressure tight and high-temperature resistant. Using a KL clamp (KLC) for connecting length and Tee minimizes the need to tap together single wall conical joints in the field.

Larger diameters (or smaller diameters at more cost) use the SWFL or SWCK style of overlapping connections that easily fastens together with provided sealant and a band.

If guy or support wires are used it will be connected with the first length element and the assembly will be lowered down the chimney with a winch. Further lengths of pipe or fittings to be added.

The installation finishes by connecting the system from the Tee snout to the outlet of the appliance and weatherizing the system at the top by using a roof flashing with storm collar and a rain cap.



If required, an additional Anchor Plate Support inside the chimney can be installed between the Tee and the first length before lowering it down the chimney.



2. ASSEMBLY FROM TOP DOWN

LONG FACTORY WELDED SECTIONS

For installation ease and on customer's request we also offer factory welded SWKL joints.

Separate sections with welded joints of SWKL pipe elements and flange connections at both ends are inserted into an old bricked chimney from the top by crane.

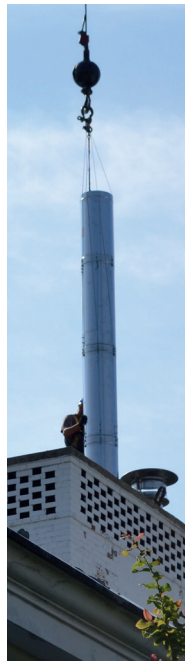
Each section is prepared for crane lifting with special external gussets or solid cross bars inside the top pipe section.

The inserted section is held above the chimney by special metal bars until the next section is lifted on top of it and both flanges are connected.



UL Listing (and ULC)

- UL-1777 Standard, Chimney Liners (ULC-S605 Standard for Lining Systems for Chimneys)
- UL-103 Standard, Building Heating Appliance Chimney (Industrial Type 540°C Chimney)
- UL-103 & UL-2561 Standards, Additional Positive Pressure Listing to 90" WC after 1400°F
- UL-1978 Standard, Grease Duct (ULC-S662 Standard for Factory-Built Grease Ducts)
- UL-1738 Standard, Venting Systems for Gas-Burning Appliances, Categories II, III & IV (ULC-S636 Standard for Type BH Gas Venting Systems)





3. ASSEMBLY FROM BOTTOM TO TOP

SHORT FACTORY WELDED FLANGE SYSTEMS

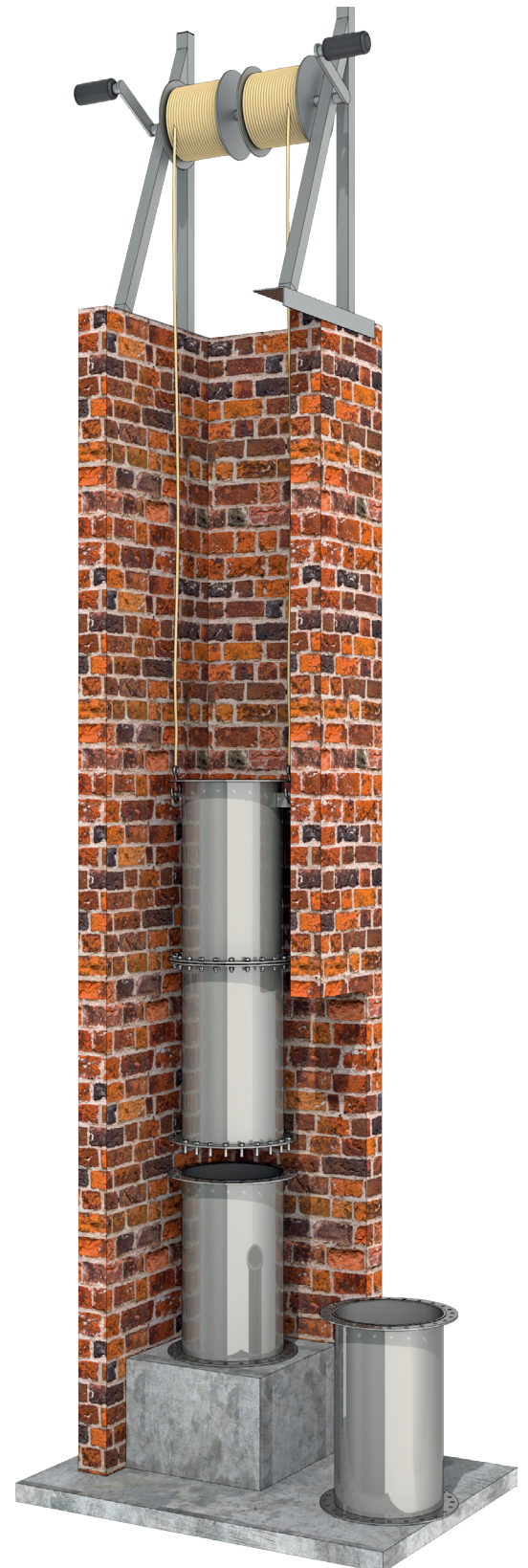
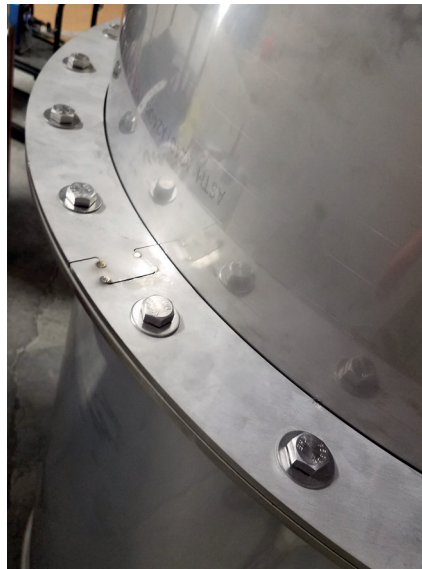
A third option is an installation from the bottom to the top of the chimney. Therefore we developed short SWKL pipe lengths with flange ends and a height of 3 to 7 feet each.

The first pipe length to be installed is prepared with external gussets or inside lugs in order to lift it by a winch fixed on top of the existing chimney.

Once this length is fixed to the support wires and brought in a raised position the flange ends can be connected with the next pipe length.

After the last pipe length and the Tee are connected, support plates and base plates can be installed as well as the connection pipe to the appliance.

The installation finishes by weatherizing the system at the top with a roof flashing, a storm collar and a rain cap.



JEREMIAS GROUP TOTAL QUALITY COMMITMENT

Jeremias is one of the world's leading manufacturers of flue and chimney systems for the exhaust of gases and ventilation, including all kinds of domestic, commercial, and industrial applications.

Our product range includes more than 100 different UL Listed and CE Certified systems covering commercial and industrial applications complemented by freestanding industrial steel chimneys up to 13 feet in diameter.

Jeremias manufactures the highest quality exhaust systems in the world. Our technology and expertise allows for the safest, quietest, and most efficient way to expel exhaust gases to the exterior of buildings.

Opened in 2013, the Jeremias R&D Lab in Logan, OH has the industry's most experienced lab technicians on staff and incorporates the latest equipment technologies. This enables us to provide industry leadership with a focus on new factory-built exhaust applications and unique listings.

APPROVALS & CERTIFICATIONS



JEREMIAS IS REPRESENTED IN THE FOLLOWING COUNTRIES:

Austria | Belarus | Belgium | Bulgaria | Brazil | Denmark | Estonia | Hong Kong | Ireland | Kazakhstan | Latvia | Lithuania | Luxembourg | Malta | Netherlands | Norway | Portugal | Romania | Saudi Arabia | Serbia | Singapore | Slovakia | Slovenia | South Africa | Sweden | Tunisia | UAE | Ukraine

Jeremias high quality products to be installed only by selected experts.

The expert in your area:

USA

Jeremias Inc.
 983 Industrial Park Drive
 Marietta, GA 30062, USA
 Office: +1 678-388-2740
 Fax: +1 678-388-2744
info@jeremiasinc.com